



NR8301

Network Video Recorder

8-CH POE • Raid 0, 1 Storage • Lockable HDD Design

VIVOTEK's NR8301 network video recorder offers an elegant recording solution for VIVOTEK network cameras and performs real-time monitoring and recording. It supports up to 8-channel MJPEG, MPEG4, and H.264 video and provides multiple recording modes including alarm recording, scheduled recording, manual recording, and continuous recording. The setup is very simple since the camera will be automatically connected when it's plugged in. It also offers a user-friendly interface for the user to configure network settings as well as camera control. Moreover, the 8-channel 802.3af compliant PoE (Power-over-Ethernet) is able to reduce the complex of the installation, making NR8301 a cost-effective recording system.

The user can utilize the NR8301 to record high-definition mega-pixel videos on the removable hard disk with Raid 0 and 1 storage solution and a USB interface for backup. It has a built-in gateway that separates network cameras from the regular data network for avoiding the shortage of bandwidth. Functional four digital inputs and one digital output interfaces is capable of integrating with the security sensors and alarms. The NR8301 is a comprehensive network video recorder fully featured with multi-functions to provide the best quality and highest performance in network video recording.

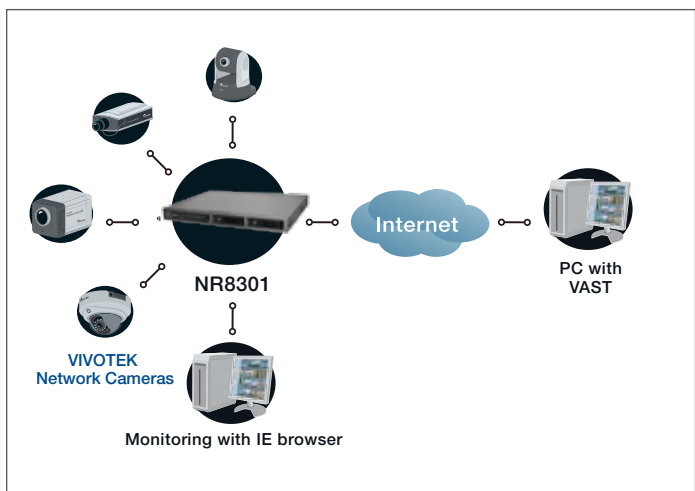
Features

- > Real-time MJPEG, MPEG-4 and H.264 Compression (Triple Codec)
- > Simultaneous 8-CH Monitoring and Recording
- > Gateway Between VIVOTEK Network Cameras and Data Network
- > Built-in 802.3af Compliant 8-CH PoE
- > Camera Management with Automatic Camera Installation and Configuration
- > Supports Proxy Server
- > Supports Raid 0, 1 Storage Solution
- > External USB Interface for Video Backup
- > Removable and Lockable HDD Design for Easy Changing
- > Supports VIVOTEK VAST Central Management Software

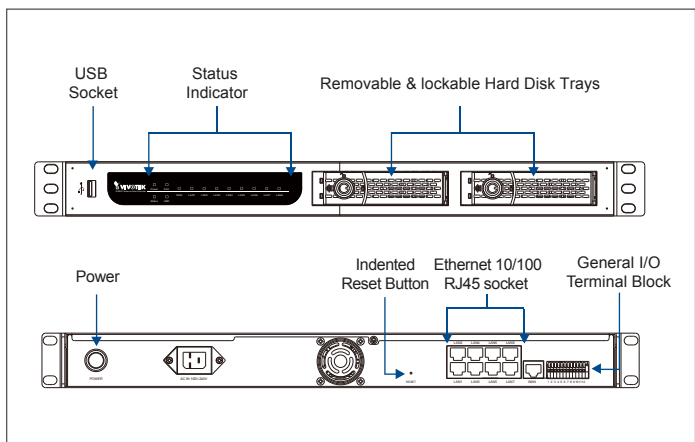
System	<ul style="list-style-type: none"> CPU: Marvell 88F6281 1.2G Flash: 128MB RAM: DDR-SRAM 512MB Embedded OS: Linux
Video Channels	<ul style="list-style-type: none"> Supports up to 8 channels
Hard Disk	<ul style="list-style-type: none"> Supports 3.5" SATA I/II HDD x 2, up to 4TB
Compatibility	<ul style="list-style-type: none"> Supports VIVOTEK all series of network cameras
Video Recording	<ul style="list-style-type: none"> H.264/MJPEG/MPEG-4
Recording Throughput	<ul style="list-style-type: none"> Total 16Mbps
Recording Policy	<ul style="list-style-type: none"> Alarm recording Scheduled recording Continuous recording Manual recording
Connectors	<ul style="list-style-type: none"> Ethernet 10/100 BaseT x 9, RJ45 (1 WAN and 8 LAN ports) USB socket for backup Terminal block: 4 digital input, 1 relay output, and 1 power output with 12V Max. 1A
Camera Management	<ul style="list-style-type: none"> Auto or manual installation for VIVOTEK cameras Video and network configuration through NR8301
Pan/Tilt/Zoom Control	<ul style="list-style-type: none"> Pan/tilt/zoom control of VIVOTEK cameras
History Playback	<ul style="list-style-type: none"> Playback of recorded media with time navigations
Networking	<ul style="list-style-type: none"> Protocols: IPv4, TCP/IP, HTTP, RTSP/RTP/RTCP, IGMP, SMTP, FTP, DHCP, NTP, DNS, DDNS
Alarm and Event Management	<ul style="list-style-type: none"> Four D/I and one D/O for external sensor and alarm Event notification using SMTP
Security	<ul style="list-style-type: none"> Multi-level user access with password protection IP address filtering
Users	<ul style="list-style-type: none"> Camera live and playback viewing for up to 10 clients
Dimension	<ul style="list-style-type: none"> 446.4 mm (W) x 330.2 mm (D) x 43.6 mm (H)
LED Indicator	<ul style="list-style-type: none"> System power, PoE, status and hard disk indicators Network link indicators
Power	<ul style="list-style-type: none"> 100 ~ 240V AC Power consumption: <ul style="list-style-type: none"> Max. 0.96 W (without PoE camera) Max. 125 W (with 4 PoE cameras) 802.3af compliant Power-over-Ethernet
Approvals	<ul style="list-style-type: none"> CE, FCC, VCCI, UL, C-Tick, CB
Operating Environments	<ul style="list-style-type: none"> Temperature: 0 ~ 50 ° C (32 ~ 122 ° F) Humidity: 20% ~ 80% RH
Viewing System Requirements	<ul style="list-style-type: none"> OS: Microsoft Windows 2000/XP/Vista/Win7 Browser: Internet Explorer 6 or above

Installation, Management, and Maintenance	<ul style="list-style-type: none"> Installation Wizard 2 Supports firmware upgrade
Warranty	<ul style="list-style-type: none"> 24 months

System Overview



External View



All specifications are subject to change without notice. Copyright©2009 VIVOTEK INC. All rights reserved.

Distributed by:



6F, NO.192, Lien-cheng Rd., Chung-Ho, Taipei County, Taiwan
 T: +886 2 82455282 | F: +886 2 82455532 | E: Sales@vivotek.com