

## Product Information

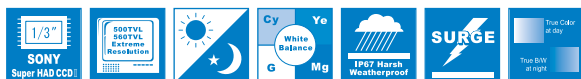
VN55CSHR is a high sensitive Day/Night IR camera suitable for both indoor and outdoor application with IP67 weatherproof design. Used with Sony Super HAD CCD II sensor and long range(850nm) Infra-red LED x 50ea, the unit can view up to 30M at 0 Lux darkness.

Automatic image conversion from Color at to BW at 5 lux darkness removes the color signal noises for clear picture and enhances the resolution up to 560TVL at night.

The model has a smart self-focus adjustment technology that precisely corrects the distorted focus under IR illumination.

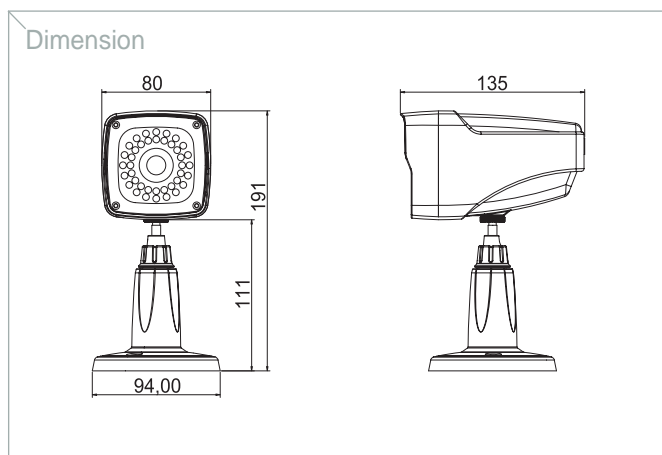
Built-in IR LED protection technology that intelligently prevents IR LEDs from burning out and extends the performance of IR LEDs for extremely long time.

The unit is passed IP67 test and guarantees moisture condensation-free on the glass in any harsh weather condition.



## Key Features

- 1/3" Sony Super HAD CCD II
- Clear focus at night with Anti-IR focus distortion technology built-in
- IR sensitive BW switching at night & true color at day
- High resolution of 500 TVL (Day) & 560TVL (Night)
- Extremely reliable IR Protection technology
- Long Viewable distance up to 30M at "0" Lux darkness
- No heat !!
- Automatic LED On/Off
- Weatherproof ( IP67)
- 12VDC
- 24VAC available(option)



MODEL	VN55CSHR	VN56CS
Image sensor	1/3" Sony Super HAD CCD II	
Effective Pixels	NTSC : 768(H) x 494(V) PAL : 752(H) x 582(V)	NTSC : 512(H) x 492(V) PAL : 500(H) x 582(V)
H.Resolution	500 TVL(Day) / 560TVL(Night)	400 TVL(Day) / 420 TVL (Night)
Sync. system	Internal	
Scanning system	NTSC : 525 Lines PAL : 625 Lines 2:1 Interlaced	
Video output	1.0Vp-p Composite. 75 Ohms	
S/N ratio	More than 50 dB (AGC Off)	
Min. illumination	0.1 Lux at F2.0 w/o LED, 0 Lux with LED	
BLC	Automatic	
White balance	2,100°K ~ 9,100°K Auto	
Gain Control	-1dB ~ 32dB Auto	
Gamma correction	$\gamma = 0.45$	
Smear effect	0.005%	
Shutter speed	NTSC : 1/60 ~ 1/100,000 sec. PAL : 1/50 ~ 1/100,000 sec.	
LED spectrum	850nm x 50 LEDs	850nm x 35 LEDs
IR beam distance	2 ~ 30M	2 ~ 25M
MTBF	20,000 hours	
Power source	12VDC	
Operation current	620mA or less	500mA or less
Lens Standard	3.6mm(92°)	
Lens Option	4.3 mm (78°), 6.0mm(54°), 8.0mm(39°)	
Operating Temp.	14°F~122°F ( ~ 10°C ~ +50°C )	
Humidity	Within 90% RH	
Measurement (mm)	80(W) x 80(V) x 135(L)	
Weight (Approx.g)	960 Incl. Bracket	