

VN55CH/6 Long distance Day & Night IR Camera

Product Information

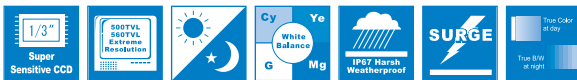
VN55CH is a high sensitive Day/Night IR camera suitable for both indoor and outdoor application with IP67 weatherproof design. Used with an ultra sensitive CCD sensor and long range(850nm) Infra-red LED x 49ea, the unit can view up to 30 M at 0 Lux darkness.

Automatic image conversion from Color at to BW at 5 lux darkness removes the color signal noises for clear picture and enhances the resolution up to 560TVL at night.

The model has a smart self-focus adjustment technology that precisely corrects the distorted focus under IR illumination.

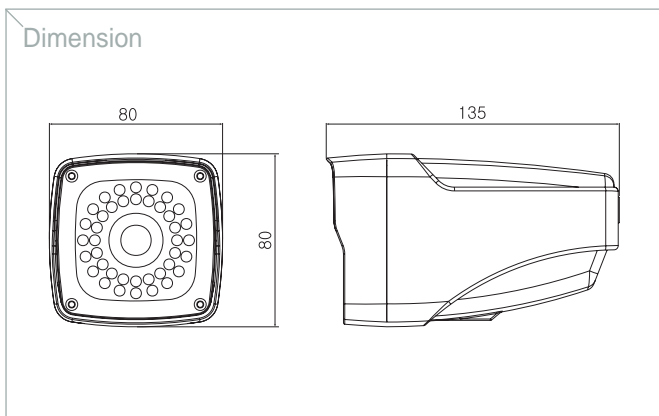
Built-in IR LED protection technology that intelligently prevents IR LEDs from burning out and extends the performance of IR LEDs for extremely long time.

The unit is passed IP67 test and guarantees moisture condensation-free on the glass in any harsh weather condition.



Key Features

- 1/3" Super sensitive Color CCD
- Clear focus at night with Anti-IR focus distortion technology built-in
- IR sensitive BW switching at night & true color at day
- High resolution of 500 TVL (Day) & 560TVL (Night)
- Extremely reliable IR Protection technology
- Long Viewable distance up to 30M at "0" Lux darkness
- No heat !!
- Automatic LED on/off
- Weatherproof (IP67)



MODEL	VN55CH/6	VN55C/6
Image sensor	1/3" Super sensitive Color CCD	
Effective Pixels	NTSC : 768(H)X494(V) PAL : 752(H)X582(V)	NTSC : 512(H)X492(V) PAL : 500(H)X582(V)
H.Resolution	500 TVL(Day)/560TVL(Night)	400 TVL(Day)/420 TVL (Night)
Sync. system	Internal	
Scanning system	NTSC 525 Lines PAL 625 Lines 2:1 Interlaced	
Video output	1.0Vp-p Composite. 75 Ohms	
S/N ratio	More than 50 dB (AGC Off)	
Min. Illumination	0.1 Lux at F2.0 w/o LED, 0 Lux with LED	
BLC	Automatic	
White balance	2100°K - 9100°K Auto	
Gain Control	-1dB~32dB Auto	
Gamma correction	r=0.45	
Smear effect	0.005%	
Shutter speed	NTSC : 1/60 - 1/100,000 sec PAL : 1/50 - 1/100,000 sec	
LED spectrum	850nm 20 degree x 49 LEDs	
IR Beam distance	2-30M	
MTBF	20,000 hours	
Power source	DC12V	
Operation current	620mA or less w/regulated 12VDC power in	
Lens Standard	6mm(56°)	
Option	3.6mm(92°), 4.3 mm (78°), 8.0mm(39°)	
Operating Temp.	14° F -122° F (-10° C ~ +50° C)	
Humidity	Within 90% RH	
Output Terminal	2+1ft Waterproof cable with BNC-Female for Video, DC Jack-Male for Power	
Measurement (mm)	80(W) X 80(H) X 135(L)	
Weight (Approx.g)	700 Incl. Bracket	
Optional Function 1	Invisible 940nm 20 degree IR LED	
Optional Function 2	External Audio with C-Microphone "-35dB / mV "	