

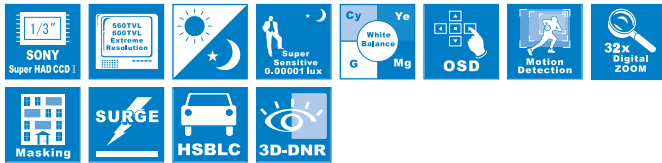
Product Information

VDS120H has a 1/3" Super HAD CCD II and keeps 560TV Lines by day and improves resolution and sensitivity through the night converted from color to B/W (color signal removal).

Unique 3D Noise reduction technology decreases noises of the low lux condition and object-blurred images(ghost effects), etc. efficiently and supplies clear images.

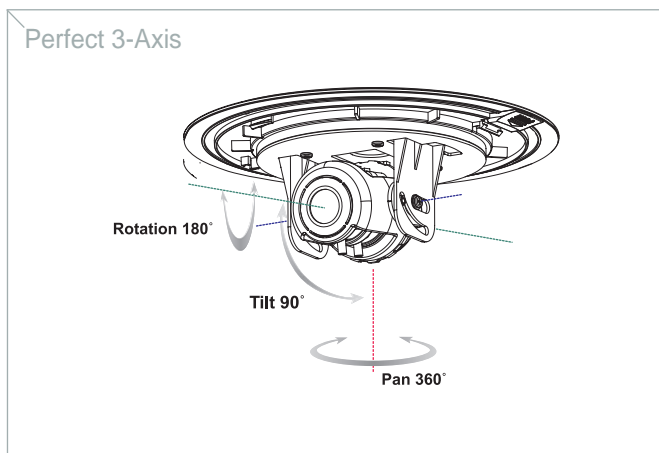
HSBLC(Highlight Suppression BLC) controls the effect and also multi-lingual OSD menu settings, smart motion detection and privacy masking are basically supported. They graded up surveillance efficiency.

VDS120H is an Ultra-Slim dome camera containing a lot of user-friendly mechanisms and configurations. It incorporates perfect and tool-free 3-Axis mount with which the camera can be installed on the wall, on the ceiling or on the slope with no limitation.



Key Features

- 1/3" Sony Super HAD CCD II
- 560 TVL at Day / 600 TVL at night
- 0.00001 Lux at F1.3 (SENS-UP remarkable low lux performance)
- 3DNR (3D Noise reduction)
- HSBLC (Highlight Suppression BLC)
- Privacy zone (8 zones)
- Motion detection zone (4 zones)
- RS-485 remote control (Pelco-D)
- Multi-lingual OSD menu
- Surge voltage input protection built-in
- 12VDC / 24VAC dual power (Non-polarity power input)
- Tool-free 3-Axis



MODEL	VDS120H
Image sensor	1/3 "Sony Super HAD CCD II
Effective Pixels	NTSC : 768(H) x 494(V) PAL : 752(H) x 582(V)
H. Resolution	NTSC : 560TV Line(Day) / 600TV Line(Night) PAL : 550TV Line(Day) / 590TV Line(Night)
Synchronizing system	Internal
Scanning system	NTSC : 525 Lines PAL : 625 Lines 2:1 Interlaced
Video output	1.0Vp-p Composite. 75 Ohms
S/N ratio	More than 52dB(AGC Off)
Min. illumination	0.00001Lux/F1.3(Sens-up), 0.2 LUX/F1.2
Shutter Speed	NTSC : 1/60~1/100,000 sec. PAL : 1/50 ~ 1/100,000 sec.
Gamma correction	Standard $\gamma = 0.45$ (OSD)
White Balance	2,000*K ~ 20,000*K Auto
Gain Control	Standard : 6dB ~ 40dB, Off / Low / Middle / High
Smear Effect	0.005%
Power source	12VDC / 24VAC Dual Power
Operating current	180mA / 12VDC, 90mA / 24VAC
Iris Control	DC / MANUAL
Lens	3.3~12mm Varifocal DC Iris Lens / F1.3
Operating Temperature	14°F ~ 122°F (-10°C ~ +50°C)
Humidity	Within 90% RH
Measurement (mm)	180(Ø)X 81(H)
Weight (Approx.g)	950
OSD Menu	
White Balance	ATW / PUSH / MANUAL / AWC
Sens-up	x2 ~ x128
Privacy Masking	Off / On (8 programmable zones)
Motion Detection	Off / On (4 zones)
Digital zoom	Off / On (x1 ~ x32)
3DNR	Off / On

