

Product Information

The mode of image is instantly changed from Color at daytime to BW at night time at 5 lux darkness automatically.

Combined with Color killing technology in night mode, this performance makes the unit produce a perfectly true color at day and a noise free clear BW image at night.

The model provides an extremely enhanced resolution by 10% Higher at color mode and 90% higher at BW mode than conventional cameras.

The unit is passed IP66 international weatherproof standard and burning test for 24hrs in order to guarantee moisture condensation free in any harsh weather condition



VDA90HQ-SVFAL
VDA90CSHR-SVFAL
Surface Mount
2 or 3 Axis



VDA90HQ-FVFAL
VDA90CSHR-FVFAL
Flush Mount
2 Axis only



VDA90HQ-ARVFAL
VDA90CSHR-ARVFAL
Surface Mount
2 or 3 Axis



Key Features

- Automatic image conversion from Color to BW
- Extremely Higher resolution
 - 560TVL(Day) to 600TVL(Night)- High resolution : HQ Version
 - 500TVL(Day) to 560TVL(Night)- High resolution
 - 400TVL(Day) to 420TVL(Night)- Standard resolution
- Extremely accurate color reproduction (with 10bit A/D process)
- DIP SW functions
 - ESC/ALC, BLC on/off, AGC Nor/Max, AWB(ATW/Push Lock)
- 1/3" Super HAD/EX-View HAD Color CCD sensor (Sony)
- Surge power input protection built-in
- 12VDC or 12VDC/24VAC Linelock dual power, non-polarity
- Robust metal Armor Housing
- Poly carbonate clear cover
- Optically correct clear window
- Weatherproof for Indoor or Outdoor (IP66)
- Very easy to install
- Compact and Beautiful
- Easy access to Dip SW for function adjustment

Day & Night (Option)

The mode of image is instantly changed from Color at daytime to BW at nighttime at 5 lux darkness automatically. Color killing technology makes a true color at day and a noiseless clear BW image at night possible.

IR Sensitivity (Option)

Color CCD sensor is responsive to IR illumination at night and reproduces true coloration in the daytime.

Extremely improved horizontal resolution (600TVL)

The model provides an extremely enhanced resolution by 10% higher at color mode and 90% higher at BW mode than conventional cameras.



500TVL/Day



600TVL/Night

Greatly improved sensitivity

Added with sensitivity enhance hardware technology plus built-in BW mode change over system, the unit generates at least 2 times better low light performance than conventional cameras.



VDA90HQ



Conventional

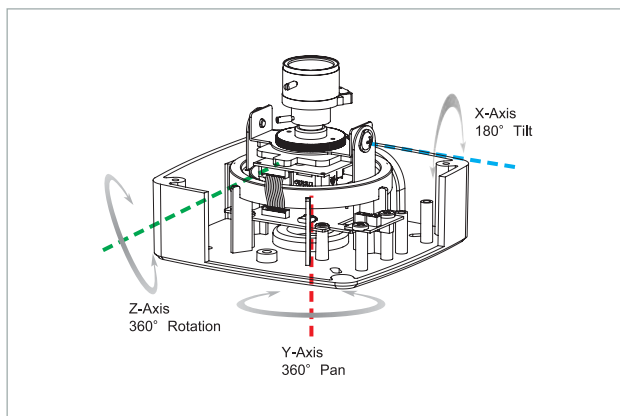
Self configured Synchronizing system (Dual power Version)

The unit builds in highly efficient switching power control that self configures 24VAC input and 24VAC line pulse automatically (Automatic line-lock). Double insulated power design guarantees no ground loop when used with multiple cameras and system equipment together through one power source.

VDA90 | Armor Dome Camera

3-Axis angle adjustment

This unit provides an efficient way of mechanical adjustment of the camera angle that can freely position to all angles from ceiling, wall or slope mounting. Especially, noticeable points are Vertical angle that can be tilt down to 90 degree and the Rotation adjustment that can correct the image to be upright condition when the dome camera is installed on the wall or on the slope.



High impact vandal resistant & Weatherproof (IP66)

Polycarbonate dome curvature & rugged metal camera housing can withstand an attack with a 10 pound sledge-hammer. The whole surface of the dome is very flat and clear so that it maintains perfectly clear and distortion-free picture quality from the camera board. IP66 weatherproof prevents the camera from moisture condensation and dust.

A variety of lens mount available

The unit builds in 4mm-9mm varifocal zoom lens as a standard for a wide coverage of unexpected focal distance and various angle of view at event area. It is very convenient as there is no need to change the camera or the lens at the installation. Users can adjust the exact focal distance to set up the best quality picture on the security position. For experienced installers, fixed focal distance is enough for some cases. The model can be with a different range of varifocal lens such as 2.6-6mm, 9-22mm as an option. It is compatible with a variety of different angle range from wide to narrow by the request.

Easy installation

Easy to adjust the metal structured pan/tilt unit inside the dome, easy to change the lens, easy to position the camera, easy to fix the direction of the window, easy to assemble and disassemble the dome, easy to work for the cable connection and strong finish after installation are all about the dome provided by the scientific mechanism of the design.

MODEL	VDA90HQ-SVFA49 / VDA90HQ-SVFAL49	
Image sensor	1/3" Sony Super HAD CCD Color (Option : Ex-view HAD CCD)	
Effective Pixels	NTSC : 768(H)X494(V) PAL : 752(H)X582(V)	
H.Resolution	560TVL(Day) / 600TVL(Night)	
Sync. system	Internal	
Scanning system	NTSC 525 Lines PAL 625 Lines 2:1 Interlaced	
Video output	1.0Vp-p Composite. 75 Ohms	
S/N ratio	More than 50 dB (AGC Off)	
Min. Illumination	0.2 Lux at F1.6 (Option : Ex-view HAD - 0.1 Lux at F1.6)	
BLC	ON / OFF	
White balance	ATW/Push Lock	
Gain Control	Nor/Max	
Gamma correction	$\gamma=0.45$	
Smear effect	0.005%	
Shutter speed	NTSC : 1/60 - 1/100,000 sec PAL : 1/50 - 1/100,000 sec	
Power source	12VDC	12VDC/24VAC
Operation current	100mA	120mA/60mA
Lens Standard	4mm-9mm Varifocal DC iris	
Option	2.6-6mm Varifocal DC iris 9-22mm Vari-focal DC Iris	
Operating Temp.	14° F-122° F (-10° C ~ +50° C)	
Humidity	Within 90% RH	
Output Terminal	4 Feet DIY cable with BNC-Fe for Video, terminal block for Power	
Measurement(mm)	127(W)x127(L)x105(H)	
Weight(Approx.g)	1000	
Audio option	External Audio with C-Mic" - 35dB / mV "	

Dimension

