

Product Information

High sensitive, long range(850nm) Infra-red LED x 21 adapted. it completely uncovers long distance dark area at 0 Lux night within the distance of 3-20M(Super HAD) / 3-30M(Ex-view). The mode of image is instantly changed from Color at daytime to BW at nighttime at 5 lux darkness automatically. Combined with dual filter system built-in, this performance makes the unit produce a perfectly true color at day and a noise free clear BW image at night. The unit incorporates a self focus adjustment technology that precisely corrects the focus shift when IR illumination is activated at night. The model incorporates an IR LED protection technology that intelligently prevents IR LEDs from burning out after long time use. It uniquely provides a clear solution for a trouble-free and absolutely powerful Day & Night LED camera. The unit builds in highly efficient switching power control that self configures 24VAC input and 24VAC line pulse automatically (Automatic line-lock). Double insulated power design guarantees no ground loop when used with multiple cameras and system equipments together through one power source.



VDA90HQ-SVFAL49IRC
VDA90CSHR-SVFAL49IRC
Surface Mount
2 or 3 Axis



VDA90HQ-FVFAL49IRC
VDA90CSHR-FVFAL49IRC
Flush Mount
2 Axis only



VDA90HQ-ARVFAL49IRC
VDA90CSHR-ARVFAL49IRC
Surface Mount
2 or 3 Axis



Key Features

- 1/3" Super HAD/EX-View HAD Color CCD sensor (Sony)
- Long distance night time surveillance at 0 Lux
 - Within 2-20M distance at night - Super HAD
 - Within 2-30M distance at night - Ex-view HAD
- Extremely Higher resolution
 - 560TVL(Day) to 600TVL(Night)- High resolution : HQ Version
 - 500TVL(Day) to 560TVL(Night)- High resolution
 - 400TVL(Day) to 420TVL(Night)- Standard resolution
- Extremely accurate color reproduction (with 10bit A/D process)
- Precise Self Focus Technology under IR activation (SFOCAS)
- Automatic image conversion from Color to BW (True DN)
- Intelligent IR Protection technology built-in (IIRP)
- IR cut/pass dual filter built-in (Removable Filter)
- DIP SW functions
 - ESC/ALC, BLC on/off, AGC Nor/Max, AWB ATW/Push Lock
- Surge power input protection built-in
- 12VDC or 24VAC Linelock, non-polarity
- Robust metal Armor Housing
- Poly carbonate clear cover
- Optically correct clear window
- Weatherproof for Indoor or Outdoor (IP66)
- Very easy to install
- Compact and Beautiful
- Easy access to Dip SW for function adjustment

True Day & Night

The mode of image is instantly changed from Color at daytime to BW at nighttime at 5 lux darkness automatically. Combined with dual filter system built-in, this performance makes the camera produce a perfectly true color at day and a noiseless true BW image at night.

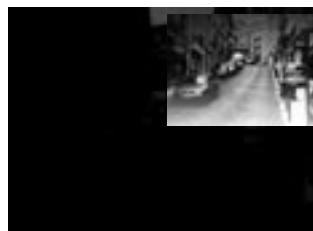


True Color (Day)

Real B/W(Night)

Long Distance IR Visible Range

The camera captures a clear image at 0 Lux night within the distance of 2-20M with Super HAD sensor (2-30M with EX-VIEW sensor).



Clearly focused B/W picture at 30M long distance under dim light

Self focus compensation technology

The unit incorporates a self focus adjustment technology that precisely corrects the focus shift when IR illumination is activated at night. Smart capability of focusing at both day and night enables the camera to have an extreme resolution of over 560TVL(Day) and 600TVL(Night)



VDA90HQ IR Series

Conventional

Intelligent IR Protection technology(IIRP)

The model incorporates an IR LED protection technology that intelligently prevents IR LEDs from burning out after long time use and to maintain the performance of IR LEDs for extremely long time.

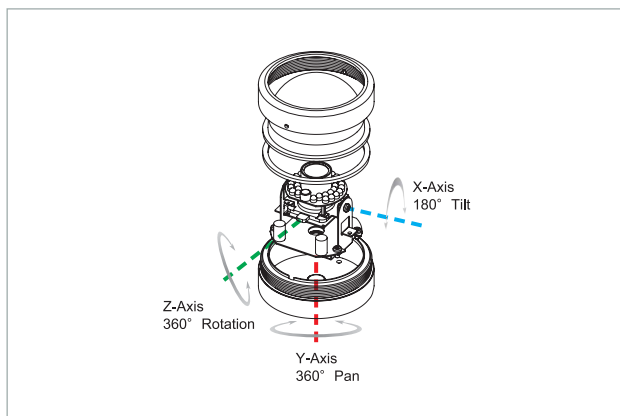
Self configured Synchronizing system (Dual power Version)

The unit builds in highly efficient switching power control that self configures 24VAC input and 24VAC line pulse automatically (Automatic line-lock). Double insulated power design guarantees no ground loop when used with multiple cameras and system equipment together through one power source.

VDA90 | True DN IR Armor Dome Camera

3-Axis angle adjustment

This unit provides an efficient way of mechanical adjustment of the camera angle that can freely position to all angles from ceiling, wall or slope mounting. Especially, noticeable points are Vertical angle that can be tilt down to 90 degree and the Rotation adjustment that can correct the image to be upright condition when the dome camera is installed on the wall or on the slope.



High impact vandal resistant & Weatherproof (IP66)

Polycarbonate dome curvature & rugged metal camera housing can withstand an attack with a 10 pound sledge-hammer. The whole surface of the dome is very flat and clear so that it maintains perfectly clear and distortion-free picture quality from the camera board. IP66 weatherproof prevents the camera from moisture condensation and dust.

A variety of lens mount available

The unit builds in 4mm-9mm varifocal zoom lens as a standard for a wide coverage of unexpected focal distance and various angle of view at event area. It is very convenient as there is no need to change the camera or the lens at the installation. Users can adjust the exact focal distance to set up the best quality picture on the security position. For experienced installers, fixed focal distance is enough for some cases. The model can be with a different range of varifocal lens such as 2.6-6mm, 9-22mm as an option. It is compatible with a variety of different angle range from wide to narrow by the request.

Easy installation

Easy to adjust the metal structured pan/tilt unit inside the dome, easy to change the lens, easy to position the camera, easy to fix the direction of the window, easy to assemble and disassemble the dome, easy to work for the cable connection and strong finish after installation are all about the dome provided by the scientific mechanism of the design.

MODEL	VDA90HQ-SVFA49IRC / VDA90HQ-SVFAL49IRC	
Image sensor	1/3" SONY Super HAD Color CCD (Option : Ex-view HAD CCD)	
Effective Pixels	NTSC : 768(H)X494(V) PAL : 752(H)X582(V)	
H.Resolution	560 TV Lines (10 bit A/D process)- Color mode 600 TV Lines (10 bit A/D process)- BW mode	
Sync. system	Internal	Line Lock
Scanning system	NTSC 525 Lines PAL 625 Lines 2:1 Interlaced	
Video output	1.0Vp-p Composite. 75 Ohms	
S/N ratio	More than 50 dB (AGC Off)	
Min. Illumination	0.2 Lux at F1.6 (w/o IR LED), "0" Lux (w/IR) Option : Ex-view HAD - 0.1 Lux at 1.6(w/o IR LED)	
BLC	ON / OFF	
White balance	ATW/Push Lock	
Gain Control	Nor/Max	
Gamma correction	r=0.45	
Smear effect	0.005%	
Shutter speed	NTSC : 1/60 - 1/100,000 sec PAL : 1/50 - 1/100,000 sec	
LED spectrum	850nm 30° visible IR LED x 21EA	
Visible distance	2- 20M(Super HAD) / 2- 30M(Ex-view HAD)	
IR MTBF	20,000 hours	
Power source	12VAC	24VAC
Operation current	350mA	270mA
Lens Standard Option	4mm-9mm varifocal DC iris 2.6-6mm varifocal DC iris 9-22mm varifocal DC Iris	
Operating Temp.	14°F-122°F (-10°C ~ +50°C)	
Humidity	Within 90% RH	
Output Terminal	4 Feet DIY cable with BNC-Fe for Video, terminal block for Power	
Measurement(mm)	127(W)x127(L)x105(H)	
Weight(Approx.g)	1000	
Optional feature 1	Invisible IR LED (940nm IR)	
Optional feature 2	External Audio with C-Mic* - 35dB / mV *	

