

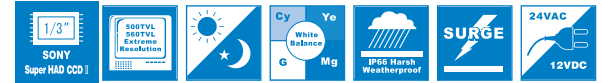
IR Armor Dome with Magnetic Gymbal

The VDA140CSHR-VFA12IR is a stylish dome camera featuring several unique innovations, allowing unprecedented flexibility by its modular design. The Camera enclosure is dual-format, allowing surface mount with the base attached. Remove the base and you've got a flush mount dome camera! No need to stock 2 different cameras when one will do it all!

Breaking traditions in Camera design, the VDA140 encloses the IR camera module into a round ball, and fits snugly into a magnetic cradle! This allows easy tool-less adjustment of the camera view, with granular positioning in the simplest way possible. And the ball can be quickly replaced if you need a different lens option or for servicing.

The VDA140 makes an exceptional solution for any outdoor application where you need a true, day/night camera with IR illumination.

With the built-in high power night vision technology, it is very suitable for viewing areas where no lights exist at night.



True Day/Night switching

In order to get precise color accuracy during daytime, an IR Cut filter should be employed. Under low light conditions at night, this IR cut filter drastically reduces sensitivity, making a dark or noisy image. Visionhitech developed it's own ICR mechanism that switches the Blue IR Cut filter for an IR focus compensation filter at night. This provides accurate color in daytime, and assures clearly focused night time images with minimal ambient lighting.



The VDA140 uses a unique magnetic cradle that firmly hold the camera module in place. This allows easy adjustment of view, without tools. The dual mount base can be easily configured for either surface or flush mounting.



Conventional IR cameras have fixed IR output, and objects in close proximity will become washed out. To compensate, these types of cameras will shut down the iris, darkening the entire scene. Intelligent IR control prevents oversaturation when objects come close to the camera. By varying the IR output, this allows background detail to remain visible.

Features

- 1/3" Sony Super HAD CCD II
- 3.3-12mm Varifocal Lens
- Stable focus for Day & Night (No IR focus shift)
- True Day/Night Operation (ICR)
- High 500TVL resolution (Day) & 560TVL (Night)
- IR LED's for 66' viewable distance @ 0 lux
- Intelligent IR Protection extends LED lifespan
- Dual Surface/Flush mount
- Weatherproof IP66 rated
- Unique Magnetic gymbal for tool-free adjustment
- 12VDC/24VAC Dual Power, non-polarity



VDA140CHSR-VFAL12IR SPECIFICATIONS

Video

| | |
|--------------------------|---------------------------------|
| CCD Sensor | 1/3" Sony Super HAD II CCD |
| Effective Pixels | 768 x 494 (NTSC) |
| Horizontal Resolution | 500 TVL Color, 560 TVL B&W |
| Auto Iris Type | DC iris |
| Automatic Gain Control | -6dB-32dB |
| Lens | 3.3-12mm Varifocal |
| Electronic Shutter | 1/60-1/100,000 second |
| Auto White Balance Range | 2100K-9.100K |
| S/N Ratio | More than 50dB (AGC off) |
| Day/Night | True Day/Night w/ IR Cut Filter |
| Minimum Illumination | 0.1 lux @ f1.3, 0 Lux w/ IR |
| IR LED | 850nm @ 40 degrees |
| IR Beam Distance | 66' (20M) |
| IR MTBF | 20,000 hrs |

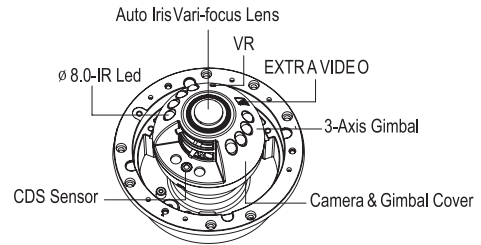
Connectors/Switches

| | |
|----------------------|--|
| Main Video Output | BNC x 1, 1.0Vpp, 75 ohm, composite video |
| Service Video Output | BNC x 1, pigtail cable with pcb plug |

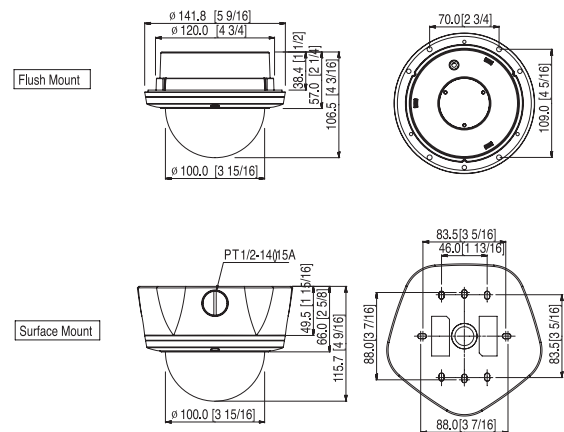
Other

| | |
|-----------------------|---|
| Environmental Rating | IP66 |
| Power Requirements | 12VDC/24VAC dual voltage, auto-polarity 12VDC 400mA max 24VAC 190mA max |
| Operating Temperature | 14F-122F |

Function



Dimension



VDA140 Optional Accessories

| Model | Description |
|-------------|--------------------|
| VPD100-DC | Outdoor Dome Cover |
| VDA-VPD-WM | Wall Mount |
| VDA-VPD-PLM | Pole Mount |
| VDA-VPD-PDM | Pendant Mount |
| VDA-VPD-CM | Corner Mount |

Design and specifications are subject to change without notice.

© 2010 Visionhitech Americas Inc. PH: 949-660-1412 • FAX: 949-660-1185 • info@vhtamericas.com