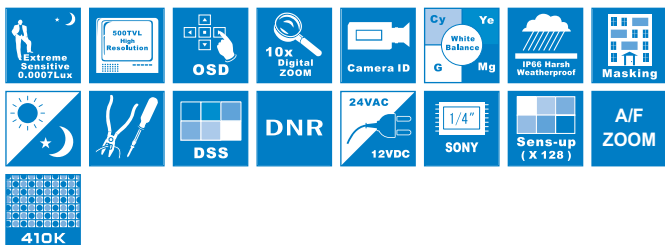


VDA110DZ-10 10x AF Zoom *SuperDome* camera

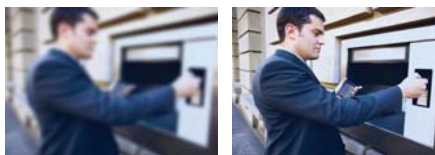
Product Information

VG100DZ-10 is a High Resolution Day & Night surveillance camera built-in A/F 10x Zoom. Combined with optical A/F 10x Zoom(f3.8~38mm), it reproduces 100x Zoom as a maximum with 10x Digital Zoom. The minimum illumination is up to 0.0007Lux at F1.8 and IR Cut Filter Removable technology bring this unit to 500TVL of Horizontal Resolution in the same breath.



High Resolution 500TVlines

The camera employs unique DSP chipset and high performance CCD sensor to capture high-resolution images of 500TV lines in color. And it achieves higher resolution of 570TV lines by automatically switching to monochrome mode at night for clearer identification.



Conventional

VDA110DZ-10

Key Features

- Digital Zoom Camera
- High performance 1/4" Sony Super HAD CCD
- High resolution of 500 TVL at Day/570 TVL at Night
- Greatly enhanced Sensitivity of 0.0007 Lux at F1.8
- Easy-to-use OSD functions
- IR Sensitive mechanical Day/Night filter system built-in
- True Color at Day and Real B/W at Night conversion
- Camera ID
- Optical zoom 10x(f3.8~38mm)
- Digital zoom(2x~10x)
- Sens-up Function(2x~128x)
- Dynamic Noise Reduction (DNR)
- Privacy masking
- RS-485 (Pelco-D, SEC, Panasonic, Vicon)

The Maximum sensitivity with the best sensor and the latest technology

Used with the latest Sony Super Sensitive CCD sensor, the VDA110DZ-10 provides the highest light sensitivity of 0.0007 Lux/F1.8. In addition the built-in Day/Night function completely removes the color signal noises for an ultra clear night time image quality.



Conventional

VDA110DZ-10

True Day & Night image conversion for 24 hours clear view



True Day/Night switching

The image is converted to B/W mode from Color and the IR cut filter is automatically removed at 5 lux darkness.

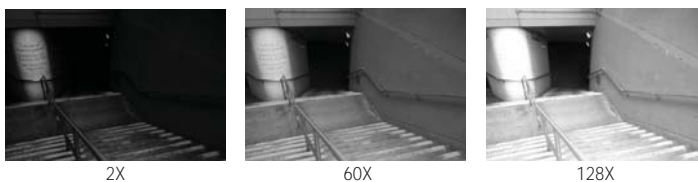


True Color with a Blue filter/Precise focus with IR filter

This dual filter mechanism is uniquely designed to have a blue filter in daytime for a precise color reproduction and to have an IR focus corrective filter at nighttime so that there is no focus shift when the IR lights are activated.

Sens-up function

The Sens-up function allows the camera can display the bright image even in extreme darkness.



2X

60X

128X

VDA110DZ-10 | 10x AF Zoom SuperDome camera

Greatly improved Day & Night response

Does the picture convert itself between color and b/w at the right time exactly and is the IR illumination on and off at the same time as well?

A new technology of Day and Night control is added to this device. An accurate control of image conversion and a precise operation of day & night filter movement at the right moment, gives a reliable image capturing capability in Color mode at daytime and in B/W mode at nighttime.



Camera ID setting

Users can use the camera identification (Camera ID) to assign a name of the camera.

The camera ID consists of up to 15 alphanumeric characters.

Optical Zoom 10X (f3.8~38mm)



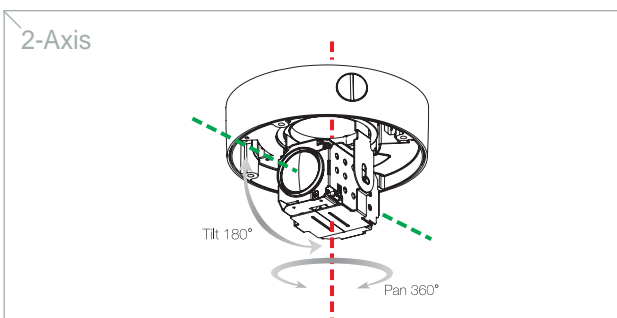
Privacy zone masking

When the unit is observing a wide area the captured image can be masked for privacy purposes. Users can easily configure the size and position of the required privacy zones.



Dual switching power (w/Auto Line-lock)

The unit builds in highly efficient switching power control that self configures 12VDC or 24VAC input and 24VAC line pulse automatically (Automatic line-lock). Double insulated power design guarantees no ground loop when used with multiple cameras and system equipment together through one power source.



MODEL	VDA110DZ-10
Image sensor	STD : 1/4" Sony Super HAD CCD
Effective Pixels	NTSC: 768(H) x 494(V) PAL: 752(H) x 582(V)
H. Resolution	NTSC: 500 TV Lines (at Day) / 570 TV Lines (at Night) PAL : 500 TV Lines (at Day) / 570 TV Lines (at Night)
Synchronizing system	Internal / Line lock
Scanning system	NTSC 525 Lines PAL 625 Lines 2:1 Interlaced
Video output	1.0Vp-p Composite. 75 Ohms
Zoom Ratio	10X, f3.8~38mm(F1.8)
Angle Field of View	Horizontal: Appr. 51.2°(Wide) to 5.58°(Tele) Vertical: Appr. 39.3°(Wide) to 4.27°(Tele)
Digital Zoom	On / Off(2X~10X)
S/N Ratio(Y signal)	50dB(AGC off, Weight on)
Min. Illumination	0.0007 Lux at F1.8(Sens-up mode)
Back Light Compensation	Low / Middle / High / Off
Day & Night	Color / B/W / Auto (ICR filter change)
Gain Control	Low / Middle / High / Off
White Balance	ATW / ATC / Manual (1800°K ~ 10,500°K)
Electronic Shutter Speed	Auto / Manual (NTSC : 1/60~120,000) (PAL : 1/50~120,000)
Sens-up	On / Off(2X~128X)
SSNR	Low / Middle / High / Off
OSD	Built-in
Privacy Function	On / Off (Max. 32 zones / 8 Prorammmable zones per screen)
Preset Positions	8Positions
Flip	H-REV(on/off) / V-REV(on/off)
Lens Initialization	Built-in
Focus Control	Auto / Manual / One push
Iris Control	Auto / Manual
Communication	RS-485(Pelco-D, SEC, Panasonic, Vicon)
Smear Effect	0.005%
Power source	Dual Power(AC24V / DC12V)
Operating current	100mA at AC24V / 170mA at DC12V
Operating Temperature	14° F ~ 122° F (-10° C ~ +50° C)
Humidity	Within 90% RH
Measurement (mm)	121.5(D) X 164(L)
Weight(Approx.g)	1400

