

Product Information

Producing a true natural coloration which is close to the performance of human eye adds its value to maximum. It is our own unique technology enabling a normal CCD camera to provide an extremely clear vision. With the help of this function, cameras also perform a greater resolution and better low light sensitivity. The crystal clear Dome window is made of polycarbonate to protect the camera from even a violent attack on it. When the cover is scratched, no need to change the camera but can change the cover easily.

It looks so elegant as much as the camera quality stands for. The unique face aims to best fit to the environment decorative to any place. It lasts its beautiful shape long time with scratch-free coating. Easy to adjust the metal ball shaped inner camera, easy to change the lens, easy to position the camera, easy to fix the direction of the window, easy to assemble and disassemble the dome, easy to work for the cable connection and strong finish after installation are all about the dome provided by the scientific mechanism of the design.



VD70HQ-S29W



VD70HQ-S29B (Wall mount)



VD70HQ-F29S

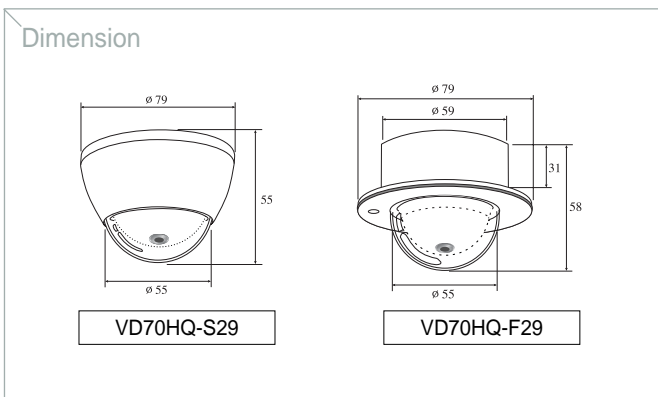


VD70HQ-F29B



Key Features

- Covert micro compact size Dome
- Anti-vandal camera body and dome cover
- 1/3" High resolution Sony Super HAD CCD II
- Highly defined 560 TVL Horizontal Resolution
- Remarkable low Lux performance of 0.1 Lux/F2.0
- Beautiful Design !
- 12VDC
- 24VAC available(option)



| MODEL | VD70HQ-S29W / S29B / F29S / F29B |
|-----------------------|--|
| Image sensor | 1/3" Sony Super HAD CCD II |
| Effective Pixels | NTSC : 768(H) x 494(V) PAL : 752(H) x 582(V) |
| H.Resolution | 560 TV Lines |
| Synchronizing system | Internal |
| Scanning system | NTSC : 525 Lines PAL : 625 Lines 2:1 Interlaced |
| Video output | 1.0Vp-p Composite. 75 Ohms |
| S/N ratio | More than 50 dB (AGC Off) |
| Min. illumination | 0.1 Lux at F2.0 |
| BLC | Automatic |
| White balance | 2,100°K ~ 9,100°K Auto |
| Gain Control | 4dB ~ 32dB Auto |
| Gamma correction | $\gamma = 0.45$ |
| Smear effect | 0.005% |
| Shutter speed | NTSC : 1/60 ~ 1/100,000 sec. PAL : 1/50 ~ 1/100,000 sec. |
| MTBF | 80,000 hours |
| Power source | 12VDC |
| Operation current | 130mA w / regulated 12VDC power in |
| Lens Standard | 2.9mm (120°) |
| Option | 3.6mm (92°), 4.3mm (78°), 6.0 mm (54°) |
| Operating Temperature | 14°F ~ 122°F (-10°C ~ +50°C) |
| Humidity | Within 90% RH |
| Output Terminal | 4 Feet DIY cable with |
| Cable connection | BNC-Female for Video, DC Jack-Male for Power |
| Measurement (mm) | Surface Mount : 79(Ø) x 55(H) Flush Mount : 79(Ø) x 58(H) |
| Weight(Approx.g) | 300 |
| Optional feature 1 | IR Sensitive for Day & Night vision |
| Optional feature 2 | External Audio with C-Microphone " - 35dB / mV " |