

VD101S-V12LIR

WDR Night Vision Indoor Dome Camera



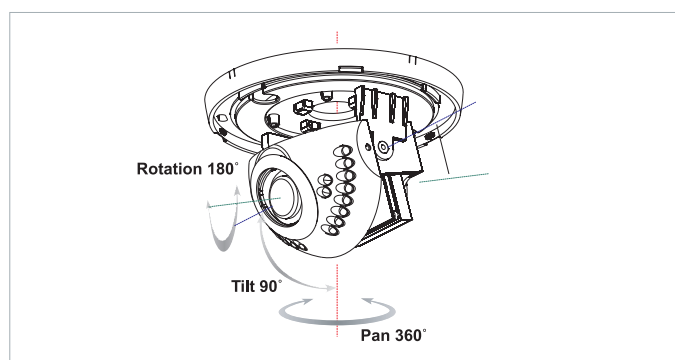
Special Features

- Patented IIRP(Intelligent IR Protection) technology guarantees Extended IR Life Cycle
- Intelligent IR Image Compensation
- Patented SFOCAS(Self FOCus Compensation Against Shift) technology
- Accurate Day/Night Switching over by using lens built-in CDS sensor to reflect the lux level of the subject
- Rotatable dome cover after installation to save maintenance cost
- 4 directional cable out inclusion guarantees concrete wall, ceiling, slope installation
- Additional service monitoring out
- 3-Axis structure combined with tilt-down 90 degree surveillance

General Features

- Super Wide Dynamic(WideLux chip embedded – Ref. page11)
- 600TVL(Day)/650TVL(Night)
- 2.8–12mm VF DC Iris lens
- Night Sensitivity up to 30M
- DIS(Digital Image Stabilizer)
- RS-485 Interface(Pelco-D)
- 12VDC/24VAC Non-polarity Power Input
- 2D/3DNR(Noise Reduction)
- True Day & Night(ICR)
- Motion Detection
- Highlight Eclipse

Perfect 3-Axis



MODEL	VD101S-V12LIR
Image sensor	1/3" Sony Super HAD CCD II
Effective Pixels	NTSC : 768(H) x 494(V) PAL : 752(H) x 582(V)
H. Resolution	600 TV Lines(Day) / 650 TV Lines(Night)
Synchronizing system	Internal
Scanning system	NTSC : 525 Lines PAL : 625 Lines 2:1 Interlaced
Video output	1.0Vp-p Composite 75 Ohms
S/N ratio	More than 52dB (AGC Off)
Min. Illumination	0Lux
Shutter Speed	NTSC: 1/60~1/100,000 sec. PAL: 1/50~1/100,000 sec.
Gamma Correction	Standard $\gamma = 0.45$
White Balance	1,800°K ~ 11,000°K Auto ATW/Push Lock/Manual selectable by OSD
Gain Control	Standard : -6dB ~ 34dB Auto / Maximum by OSD
Smear Effect	0.005%
Power source	12VDC / 24VAC
Operating current	200mA / 12VDC(IR Off), 420mA/12VDC(IR On) 90mA / 24VAC(IR Off), 180mA/24VAC(IR On)
Lens	2.8~12mm Varifocal Lens
Viewable Distance	Up to 30M at Moonless Night
MTBF of IR	20,000 hours
Iris Control	DC IRIS
Operating temp./Humidity	-10°C ~ 50°C (Humidity : 0%RH ~ 90%RH)
Measurement (mm)	134(Ø) x 91.7(H)
Weight (Approx.g)	520

Function	
WDR	Off / On (User selectable by OSD)
2D/3DNR	Off / On (User selectable by OSD)
Sens-up	Off / 2x ~ 512x
Motion Detection	On/Off (8 Zone setting available)
Digital Zoom	Off, X1 ~ X8.30
White Balance	Auto (ATW) / Push Lock / User Selectable
Privacy Mask	Off / On (8 Zone setting available)

Dimension

