

True Day/Night Box Camera with available WDR/3DNR/Pixim technologies

The versatile VC57 Series box camera is ideal for any surveillance application requiring an exceptional quality CCTV camera. The camera provides clear video for both day and night surveillance.

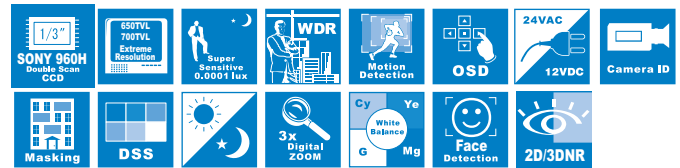
Depending on your needs, you can select from a variety of high quality imagers and DSP functions. The Sony 960H double-scan CCD provides very high resolution images with good low light capability. Or select the Pixim sensor for the best Wide Dynamic range performance.

True Day/Night performance is made possible by the mechanical IR cut filter. The transition from day to night mode is accurately detected by the integrated CDS sensor, and you can program it to switch at a designated level from 1-10 lux.

The C/CS mount accepts a wide range of lenses, and the high performance features make the VC57 series a fine solution for demanding lighting environments where you need the sharpest image possible.



Shown with optional lens



Available Features

- High Performance 960H Double Scan CCD
- High Resolution 650 TVL color, 700 TVL B&W
- Super Wide Dynamic Range
- 3DNR - Dynamic Digital Noise Reduction
- Digital Slow Shutter to increase light sensitivity
- IR Cut Filter for True Day/Night
- 0.0001 Lux Minimum Illumination (DSS)
- RS485 & program buttons to control OSD
- Privacy Masking with 4 Zones
- C/CS lens mount with Flange back focus lever
- Optical Photo sensor



Regular Backlight Compensation circuits adjust video levels to make dark subjects brighter. However, bright backgrounds get washed out, losing detail. Optional Super Wide Dynamic Range (sWDR) or Pixim WDR digitally adjusts all pixels to optimum brightness, retaining detail in both bright and dark areas.



Regular CCD



Double Scan CCD w/ 3DNR

Regular CCD's can exhibit modest low light sensitivity with increased noise levels. Conventional 2DNR circuits are frequently added to reduce noise, but still suffer from night time motion blur. Optional 3DNR corrects this with sophisticated DNR algorithms, providing clear low light images even with moving objects.

MAIN MENU	
1. AUTOSET	MENU
2. SYSTEM	MENU
3. AWB	MENU
4. AE	MENU
5. WDR	MENU
6. PRIVACY	MENU
7. DISPLAY	MENU
8. EFFECT	MENU
9. EXIT	

OSD buttons are easily accessed behind the sliding side panel. This allows fine tuning of image settings, as well as other optional display features like Privacy Masking & Camera Title. Display alerts such as Face and Motion detection will draw a variable size box around detected faces and/or movement. RS485 input allows remote access to menus, for the ultimate in post-installation convenience.



VC57 SPECIFICATIONS

Video

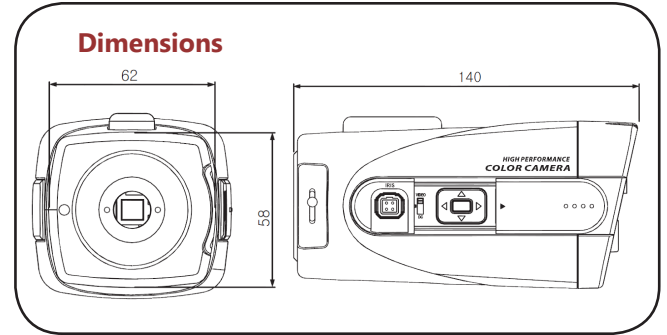
Imager	Varies by model
Effective Pixels	NTSC: Varies by model
Horizontal Resolution	Varies by model
Minimum Illumination	Varies by model
Iris Type	DC/Video/Electronic Iris
Synchronization System	Internal
Lens	C/CS Mount
Electronic Shutter	1/60-1/100,000 second
Auto White Balance Range	1800K-10,500K
S/N Ratio	Varies by model
Day/Night	True Day/Night w/ IR Cut Filter

Connectors/Switches

Main Video Output	BNC x 1, 1.0Vpp, 75 ohm, composite video
Power	Screw Terminal Block
RS485	2 pin jack, plug included
Iris	4 pin jack, plug included
OSD	5 button

Other

Power Requirements	12VDC/24VAC dual voltage, auto-polarity 12VDC 260mA max 24VAC 130mA max
Operating Temperature	14F-122F
Humidity	Within 90% RH
Dimensions	62mm x 58mm x 140mm (Width x Height x Length)



Optional OSD Features

WDR	Off / On (except VC57CH-24)
Automatic Gain Control	Selectable
White Balance	ATW / Push Lock / Manual
Digital Noise Reduction	2DNR/3DNR Selectable (VC57E only)
Privacy Modes	4 or 6 Programmable Zones (except VC57CH-24)
Face Detection	On / Off (4 zones, VC57E only)
Motion Detection	On / Off (4 zones)
Camera Title	alphanumeric, adjustable position
Back Light Compensation	On / Off
Digital Zoom	Off / 1.5x / 2x / 3x (VC57E & VC57WD only)

VC57 Series Feature Matrix

Model	Imager	DSP/ OSD	H Res TVL	Effective Pixels	S/N Ratio (AGC off)	Minimum Illumin. (Lux)
VC57E	1/3" Sony 960H Double Scan CCD	2DNR, 3DNR, sWDR, OSD, Cam Title, Dig. Zoom, Privacy 4 zones, Face/ Motion Detect	650/700	960H x 494V	>52dB	0.0001 DSS on, 0.2 DSS off
VC57WD-24	1/3" Sony Double Scan CCD	sWDR, DSS, OSD, Cam Title, Dig. Zoom, Privacy 4 zones,	550/600	768H x 494V	>52dB	0.0001 DSS on, 0.2 DSS off
VC57D15-24	1/3" Pixim	WDR, DSS, OSD, Cam Title, Privacy 6 zones	540/560	720H x 540V	>50dB	0.01 DSS on, 0.3 DSS off
VC57CH-24	1/3" Sony Super HAD CCD II	OSD, Privacy 4 zones	500/560	768H x 494V	>48dB	0.1 lux @ f1.2

Design and specifications are subject to change without notice.

© 2009 Visionhitech Americas Inc. PH: 949-660-1412 • FAX: 949-660-1185 • info@vhtamericas.com

VHT-VC57Series-Datasheet.01-15-10

