

- For indoor and outdoor installation
- Made of aluminium, painted with epoxy powder

### WFWBT

Column bracket suitable for PTH900, PTH300 and PTH355P Pan & Tilt motors, made of aluminium and furnace painted with epoxy polyester powder RAL9002. It can be used with PTBC, WFWC and PTAC brackets.

### PTAC

Wall mount for PTH300 and PTH355P Pan & Tilt motors, made of aluminium, painted with epoxy polyester powder RAL9002. It is suitable for all adaptors for mounting on any kind of surface.

### PTBC

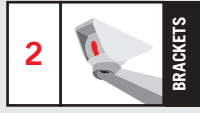
Wall bracket for PTH900 Pan & Tilt motor. Made of die-cast aluminium and painted with epoxy polyester powder RAL9002, it can be perfectly combined with PTCC pole adaptor.

### PTPC

Top of pole adaptor plate for PTH900, PTH300 and PTH355P Pan & Tilt motors. Made of 3 mm-thick sheet steel and painted with epoxy polyester powder RAL9002, it ensures a firm fixing of the Pan & Tilt motor.

### PTDC

Ceiling bracket for PTH900, PTH300 and PTH355P Pan & Tilt motors. Made of steel painted with epoxy polyester powder RAL9002, it ensures a firm fixing of the Pan & Tilt motor.



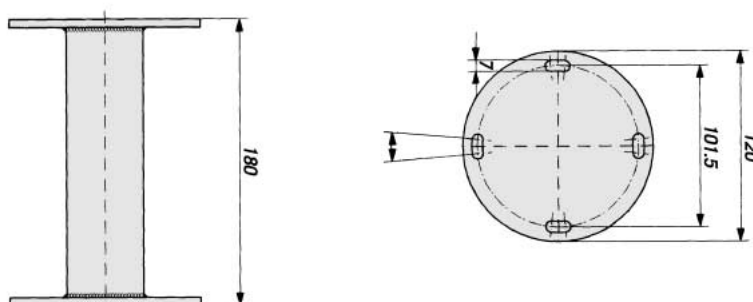
MODELS	
PTBC	Wall mount for P&T's
PTAC	Wall mount for P&T's
PTDC	Ceiling mount for P&T's
PTPC	Top pole mount for P&T's
WFWBT	Parapet mount for P&T's



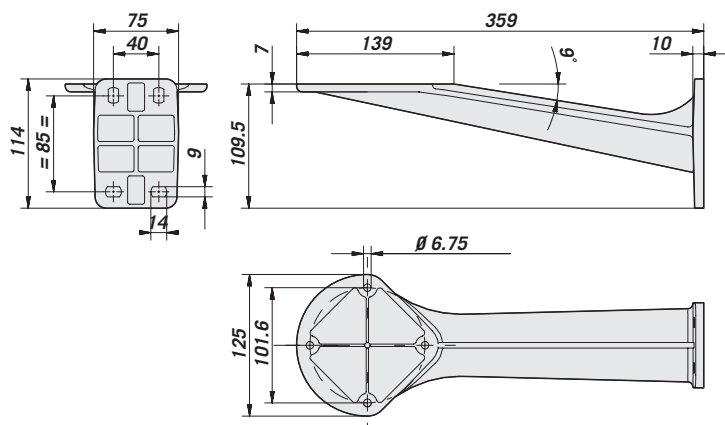
## BRACKETS AND P&amp;T CHART

	WALL		CEILING	COLUMN	TOP POLE
	PTBC	PTAC	PTDC	FWBT	PTPC
<b>P&amp;T:</b>					
PTH900	•		•	•	•
PTH300	•	•	•	•	•
PTH355P	•	•	•	•	•
<b>ADAPTERS:</b>					
WSFP		•			
WCW		•			
WCP		•			
PTCC	•				
WCWGC	•				

## WFWB

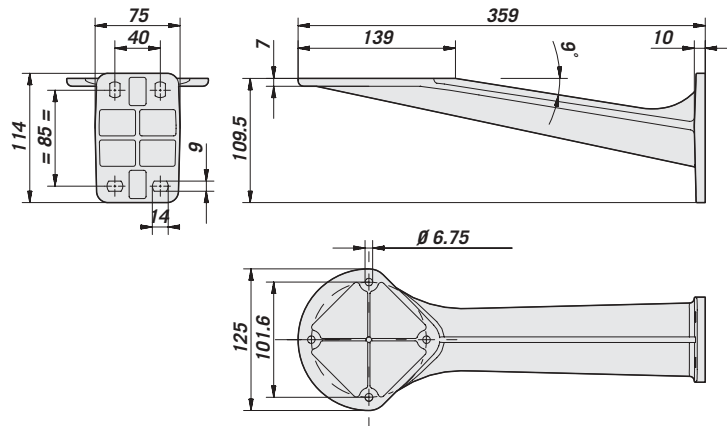


## PTAC

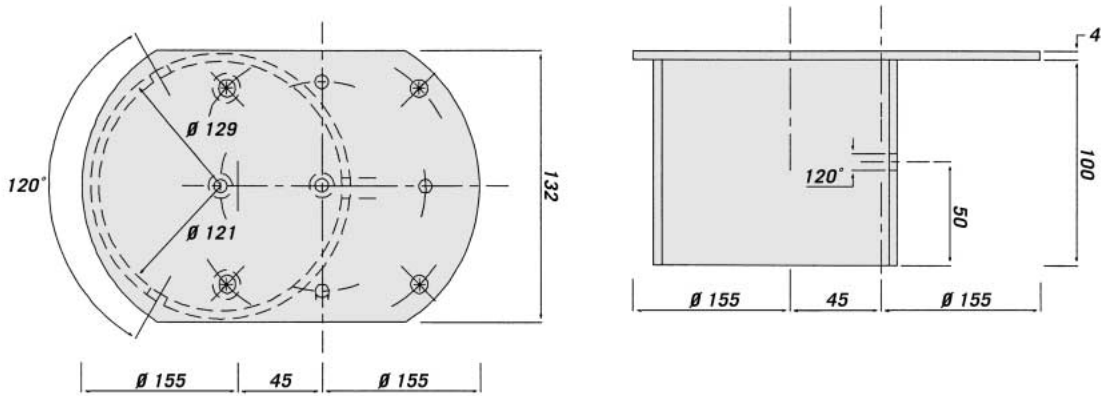


The values are in millimeters.

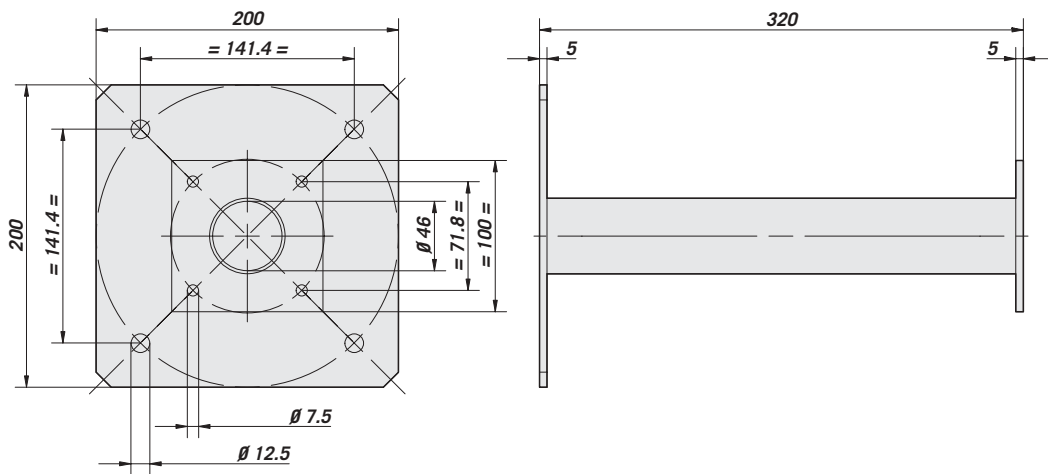
**PTBC**



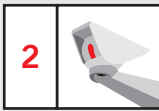
**PTPC**



**PTDC**




The values are in millimeters.



## TECHNICAL DATA

<b>GENERAL</b>		<b>PTAC</b>	
<b>WFWBT</b>		<ul style="list-style-type: none"> <li>• Wall mounting</li> <li>• Length 360 mm (14.1 in)</li> <li>• Load rating 35 kg (77 lb)</li> </ul>	
<ul style="list-style-type: none"> <li>• Made of die-cast aluminium</li> <li>• Furnace painted with epoxy polyester powder RAL9002</li> </ul>		<b>PTBC</b>	
<b>PTAC</b>		<ul style="list-style-type: none"> <li>• Wall mounting</li> <li>• Length 458 mm (18 in)</li> <li>• Load rating 50 kg (110 lb)</li> </ul>	
<ul style="list-style-type: none"> <li>• Made of die-cast aluminium</li> <li>• Furnace painted with epoxy polyester powder RAL9002</li> </ul>		<b>PTPC</b>	
<b>PTBC</b>		<ul style="list-style-type: none"> <li>• Top of pole mounting</li> <li>• Length 335 mm (13.1 in)</li> <li>• Pole dimensions: Ø 80 - 120 mm (3.1-4.7 in)</li> </ul>	
<ul style="list-style-type: none"> <li>• Made of die-cast aluminium</li> <li>• Furnace painted with epoxy polyester powder RAL9002</li> </ul>		<b>PTDC</b>	
<b>PTPC</b>		<ul style="list-style-type: none"> <li>• Ceiling mounting</li> <li>• Length 325 mm (12.8 in)</li> <li>• Load rating 50 kg (110 lb)</li> </ul>	
<ul style="list-style-type: none"> <li>• Made of steel</li> <li>• Furnace painted with epoxy polyester powder RAL9002</li> </ul>		<b>ENVIRONMENT</b>	
<b>PTDC</b>		<ul style="list-style-type: none"> <li>• Indoor/outdoor</li> </ul>	
<ul style="list-style-type: none"> <li>• Made of aluminium</li> <li>• Furnace painted with epoxy polyester powder RAL9002</li> </ul>			
<b>MECHANICAL</b>			
<b>WFWBT</b>			
<ul style="list-style-type: none"> <li>• Column mounting</li> <li>• Height: 185 mm (7.2 in)</li> <li>• Load rating: 50 kg (110 lb)</li> </ul>			

	<i>Unit Weight (kg / lb):</i>	<i>Package Weight (kg / lb):</i>	<i>Package Dimensions (cm / in):</i>	<i>Master Carton (units):</i>
	<b>WFWBT:</b> 0,4 / 0.88 <b>PTAC:</b> 0,75 / 1.65 <b>PTBC:</b> 2,2 / 4.85 <b>PTPC:</b> 1,9 / 4.1 <b>PTDC:</b> 0,9 / 1.98	<b>WFWBT:</b> 6 / 1.32 <b>PTAC:</b> 0,95 / 2.09 <b>PTBC:</b> 2,5 / 5.51 <b>PTPC:</b> 2,1 / 4.6 <b>PTDC:</b> 1,2 / 2.64	<b>WFWBT:</b> <b>PTAC:</b> <b>PTBC:</b> <b>PTPC:</b> <b>PTDC:</b>	<b>WFWBT:</b> 15 <b>PTAC:</b> 12 <b>PTBC:</b> 10 <b>PTPC:</b> 15 <b>PTDC:</b>