

HOUSING BRACKETS

WBJ Bracket with sturdy joint. It is suitable for medium and large extruded aluminium housings.

WBM Medium-duty die-cast aluminium bracket with integrated joint. It is particularly suitable for medium-small size housings.

WBOV Bracket with joint. It offers vandal proof protection, due to the internal cable channel. It is suitable for housings with cable management.

WBOV3 Die-cast aluminium reinforcing support plate in weather-proof box, supplied with WBOV bracket. When combined with brackets with an internal cable channel, it allows wiring access into the weatherproof box.

WCM3 Ceiling mount. It allows an easy position adjustment of the housing.

WCM4 Ceiling mount with internal cable channel. It combines an easy position adjustment with vandal proof protection. It is suitable for housings with cable management.

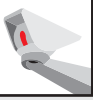
WCM5 Same features as WCM4 mount, but with cable channel exterior to the joint. Suitable for housings with external channel for power supply and video signal cables.

WCMP 500 mm linear extension for WCM4 and WCM5 mounts.

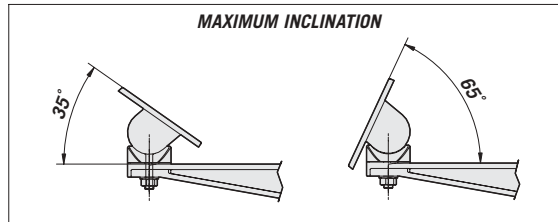
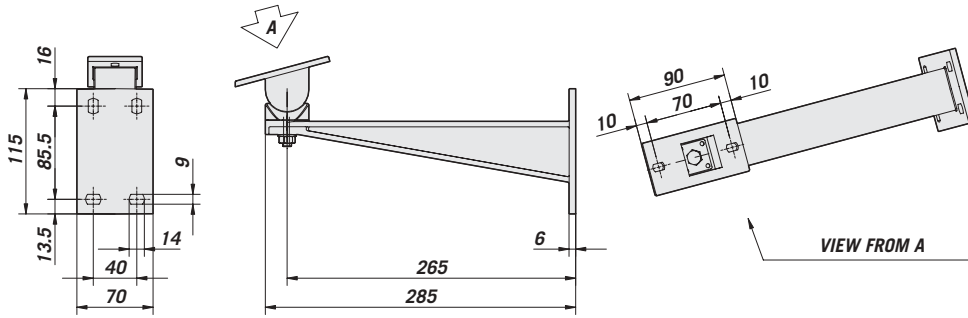
WFC Column bracket with joint, suitable for all the housings equipped with cable glands.



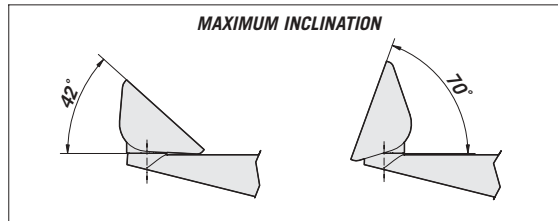
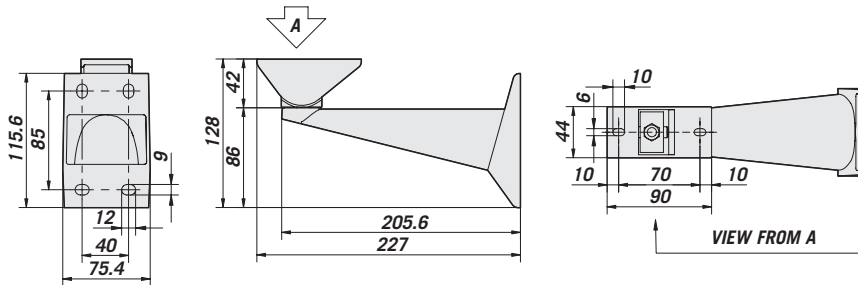
MODELS	
WBJ	Housing wall bracket with balljoint
OBJ	Only balljoint for housings
WBM	Housing wall bracket with balljoint
WBOV	Wall bracket with cable channel
WBOV3	WBOV wall bracket, support plate and integrated junction box with internal cable channel
WCM3	Ceiling bracket with balljoint
WCM4	Ceiling bracket with internal cable channel
WCM5	Ceiling mount with balljoint
WCMPA	Extension for WCM4-WCM5 brackets
WFC	Parapet mount with balljoint



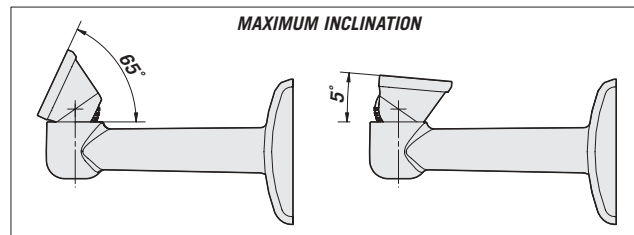
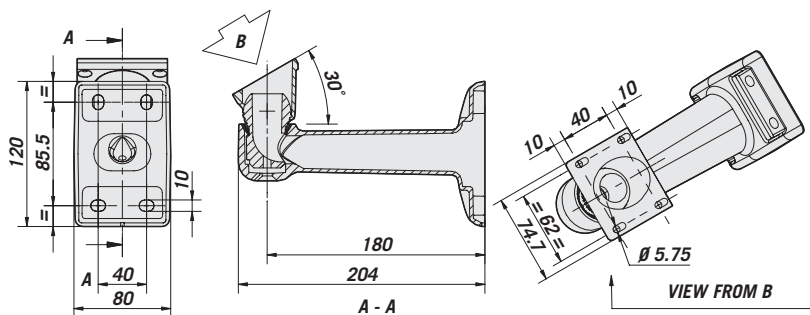
WBJ



WBM

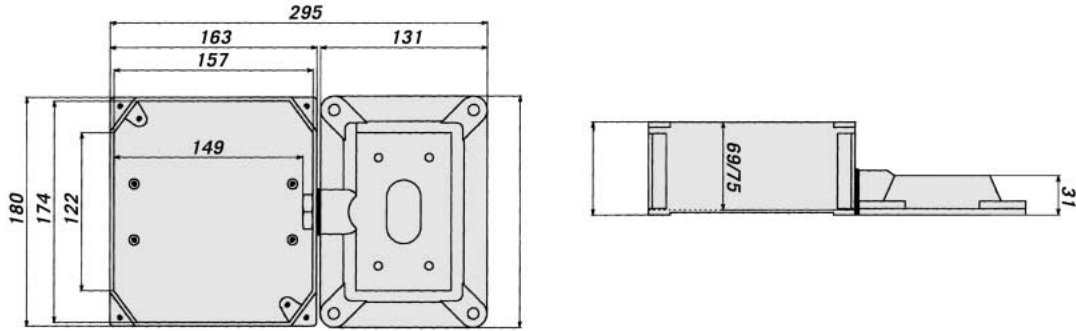


WBOV

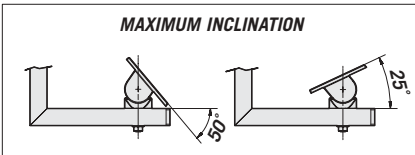
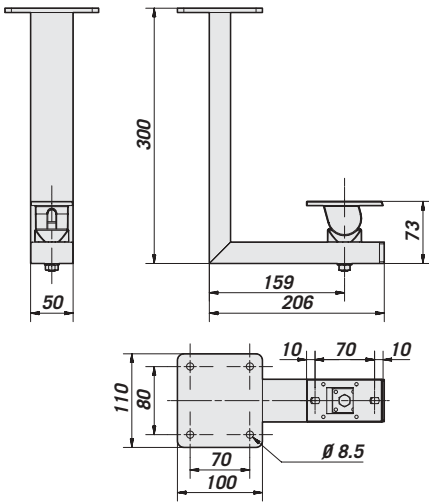


The values are in millimeters.

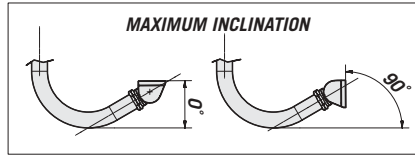
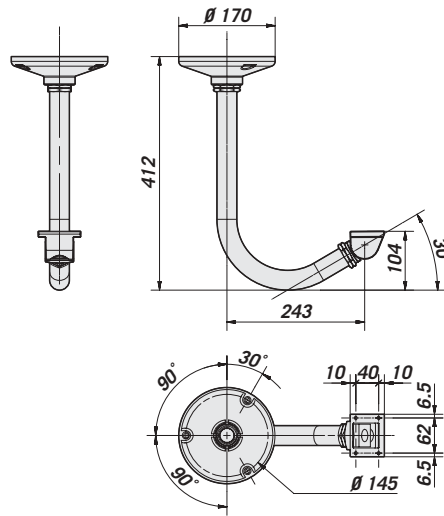
WBOV3



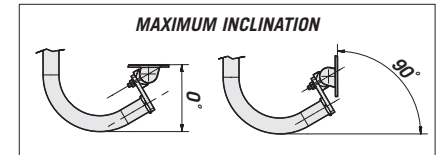
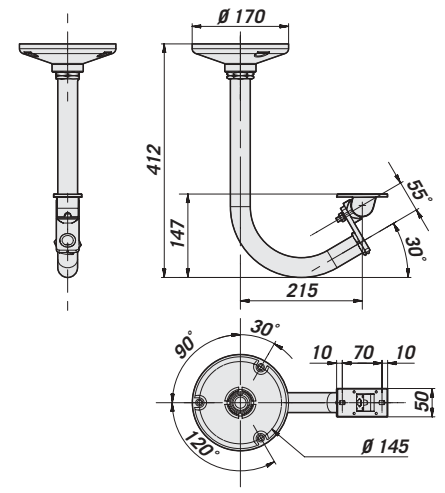
WCM3



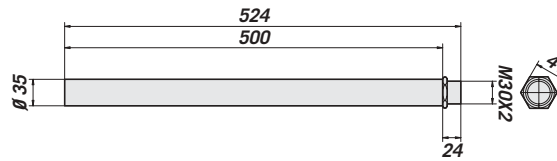
WCM4



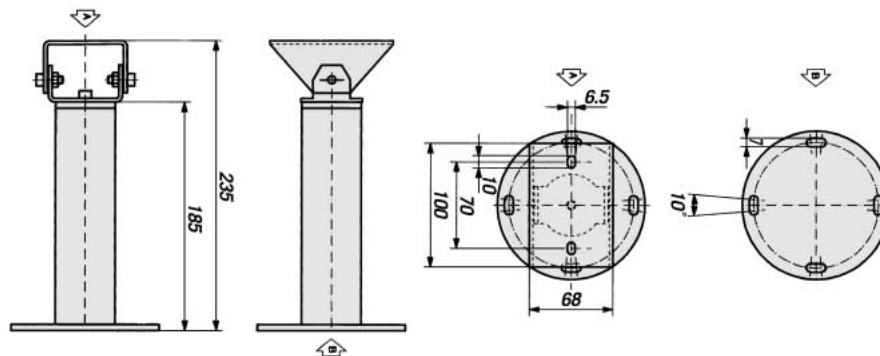
WCM5



WCMP



WFWC



The values are in millimeters.



TECHNICAL DATA

GENERAL:

WBJ

- Made of die-cast aluminium
- Painted with epoxy polyester powder RAL9002
- Supplied with allen key for joint adjustment and housing screws

WBM

- Made of die-cast aluminium
- Painted with epoxy polyester powder RAL9002
- Supplied with allen key for joint adjustment and housing screws

WBOV

- Made of die-cast aluminium
- Painted with epoxy polyester powder RAL9002
- Supplied with allen key for joint adjustment and housing screws

WCM3

- Made of die-cast aluminium
- Painted with epoxy polyester powder RAL9002

WCM4

- Made of curved aluminium tube
- Painted with epoxy polyester powder RAL9002

WCM5

- Made of curved aluminium tube
- Painted with epoxy polyester powder RAL9002

WCMP

- Made of aluminium tube
- Painted with epoxy polyester powder RAL9002

WFWC

- Made of aluminium
- Painted with epoxy polyester powder RAL9002

MECHANICAL

WBJ

- Housing position adjustment is made with only one bolt
- Wall mounting or on modular adaptors
- Load rating 25kg (55 lb)
- Length 285mm (11.22 in)

WBM

- Housing position adjustment is made with only one bolt
- Wall mounting or on modular adaptors
- Load rating 25kg (55lb)
- Length 226mm (8.89 in)

WBOV

- Vandal proof protection, due to internal cable management
- Housing position adjustment is made with only one bolt
- Wall mounting or on modular adaptors
- Load rating 25 kg (55 lb)
- Length 204 mm (8 in)

WCM3

- Housing position adjustment is made with only one bolt
- Ceiling mounting
- Load rating 15 kg (33 lb)
- Length 300 mm (11.81 in)

WCM4

- Internal cable management
- Ceiling mounting
- Load rating 15 kg (33 lb)
- Length 390 mm (15.35 in)

WCM5

- Housing position adjustment is made with only one bolt
- Ceiling mounting
- Load rating 15 kg (33 lb)
- Length 390 mm (15.35 in)

WCMP

- Extension 500 mm (19.68 in) extension for WCM4 and WCM5

WFWC

- Column and parapet mounting
- Load rating 15 kg (33 lb)
- Length 185 mm (7.28 in)

ENVIRONMENT

- Indoor/outdoor



Unit Weight (kg / lb):

WBJ: 0,6 / 1.32
 WBM: 0,5 / 1.1
 WBOV: 0,6 / 1.32
 WBOV3: 2,4 / 5.29
 WCM3: 1,8 / 3.96
 WCM4: 1,3 / 2.86
 WCM5: 1,4 / 3.08
 WCMP: 0,5 / 1.1
 WFWC: 0,45 / 0.99

Package Weight (kg / lb):

WBJ: 0,7 / 1,54
 WBM: 0,6 / 1,32
 WBOV: 0,7 / 1,54
 WBOV3: 2,5 / 5,51
 WCM3: 2,1 / 4,62
 WCM4: 1,7 / 3,74
 WCM5: 1,7 / 3,74
 WCMP: 0,6 / 1,32
 WFWC: 0,45 / 1,32

Package Dimensions (cm / in):

WBJ: 7,5x12x31 / 2.95x4.72x12.2
 WBM: 7,5x12x24 / 2.95x4.72x9.44
 WBOV: 8,5x13x21 / 3.34x5.11x8.26
 WBOV3: 11x19x53 / 4.33x7.48x20.86
 WCM3: 13x32,5x27 / 5.11x12.79x10.62
 WCM4: 10,5x36,5x36,5 / 4.13x14.37x14.37
 WCM5: 10,5x36,5x36,5 / 4.13x14.37x14.37
 WCMP: 6x6x58,5 / 2.36x2.36x23.05
 WFWC: 14,5x15x26,5 / 5.7x5.9x14.43

Master Carton (units):

WBJ: 40
 WBM: 50
 WBOV: 50
 WBOV3: 1
 WCM3: 1
 WCM4: 13
 WCM5: 13
 WCMP: 1
 WFWC: 1