

# ULISSE COMPACT THERMAL

## OUTDOOR PTZ CAMERA DUAL VISION, DAY/NIGHT AND THERMAL, FOR TOTAL DARKNESS MONITORING



### FEATURES

Variable speed: 0.1°-200°/s Pan/Tilt

Horizontal continuous rotation, vertical -90°/+90°

IP66

Dual independent video output

Complete control via RS485 of both cameras

Thermal cameras:

- Sensor: Uncooled microbolometer (VOx)
- Lenses: 35mm o 25mm
- Resolution 320x256 or 640x512
- Image frequency: 8.3Hz or 25Hz

Day/Night camera 36x or 28x

- True Progressive Scan (only 36x)
- High resolution: up to 550 TVLines
- Advanced image stabilizer (Stable Zoom Mode)
- Day/Night (Auto ICR: automatic removal of IR filter)
- Dynamic video masking of different areas

Position accuracy: 0.05°

Up to 250 Presets

Operating temperature: -40°C / +60°C (-40°F / +140°F)

Integrated wiper

Power supply available 230Vac, 24Vac or 120Vac

### DESCRIPTION

The PTZ ULISSE COMPACT THERMAL camera offers an exceptional integrated solution, for effective monitoring even in complete darkness or in extreme environmental conditions, fog, rain, smoke, or for long distances.

In fact, the unit incorporates an aligned visual camera and thermal camera, with independent management of the two video flows.

The Day/Night camera is able to clearly identify the target in normal light conditions, while the thermal vision detects people and events, in complete darkness, smoke or thick fog.

This solution is particularly useful in critical applications, requiring constant and reliable non-stop monitoring of an outdoor area and an infallible system for detecting events and presences, which does not require maintenance.

The accurate top-mount construction ensures vision beyond the horizon and the continuous rotation on the horizontal axis, combining high speed to absolute tracking accuracy, both in manual mode and in patrol mode.



ULISSE COMPACT THERMAL



ULISSE COMPACT THERMAL

**TECHNICAL DATA****GENERAL**

Constructed from aluminium and tecnopolymer  
 Epoxypolyester powder painting, RAL9002 colour  
 Germanium window for thermal camera  
 Easy installation thanks to the self-centring connector  
 Zero backlash  
 Quick configuration and setup  
 Dynamic positioning control system

**MECHANICAL**

Cable glands: 2xM16, 2xM12  
 Horizontal rotation: continuous  
 Vertical rotation: -90° to +90°  
 Horizontal speed (variable): from 0.1° up to 200°/s  
 Tilt speed (variable): from 0.1° up to 200°/s  
 Preset accuracy: 0.05°  
 Unit weight: 12.5kg (28lb)

**ELECTRICAL**

Power supply/Current consumption:

- 230Vac, 0.4A, 50/60Hz
- 24Vac, 4A, 50/60Hz
- 120Vac, 0.8A, 50/60Hz

Power consumption:

40W with pan-and-tilt stopped and with heating switched off  
 60W in motion, with heating switched off  
 125W peak at start-up, with heating switched on  
 15W illuminator switched on  
 Input cables size: AWG 16-AWG 19  
 Dimensions of signal cables: AWG 16-AWG 30  
 Video line: coaxial cable (1Vpp, 750hm)  
 Functions: Autopan, Preset, Patrol, Tour (maximum 3), Autoflip

Maximum number of presets for protocol

- AMERICAN DYNAMICS: 95\*
- ERNITEC: 250
- PANASONIC: 250
- PELCO D: 99\*
- VIDEOTEC MACRO: 250

\*250, from OSD only (On Screen Display)

16-characters string for zone and preset titling

I/O alarm card:

6 alarm inputs

2 relays outputs (2A 30Vac/60Vdc max)

**COMMUNICATIONS**

Configuration through OSD  
 Half-duplex serial RS485 interface, full-duplex RS422 and daisy-chain architecture  
 Firmware updating from console in remote mode (only VIDEOTEC MACRO and PELCO D protocols)  
 Up to 1023 units, addressable by means of dip-switches

**PROTOCOLS**

AMERICAN DYNAMICS, ERNITEC, PANASONIC, PELCO D, VIDEOTEC MACRO

AMERICAN DYNAMICS, ERNITEC, PANASONIC, PELCO are registered trademarks.

*The product may be interfaced with devices not manufactured by VIDEOTEC. It is possible that the interface protocols have changed or are in a different configuration from earlier tested units by VIDEOTEC. VIDEOTEC recommends a test prior to installation. VIDEOTEC will not be liable for any installation costs or lost revenues in the event a compatibility problem will occur.*

**ENVIRONMENT**

Indoor/Outdoor

Operating temperature with heating: -40°C / +60°C (-40°F / +140°F)

Wind resistance

- Operational: up to 160km/h
- Stationary: up to 210km/h

Surge immunity: up to 2kV line to line, up to 4kV line to earth (Class 4)

**CERTIFICATIONS**

Electrical safety (CE): EN60950-1, IEC60950-1

Electromagnetic compatibility (CE): EN50130-4, EN55022 (Class A), EN61000-6-4, FCC Part 15 (Class A)

Outdoor installation (CE): EN60950-22, IEC60950-22

IP protection degree: EN60529 (IP66)

UL certification: cULus Listed (TYPE 4X)

EAC certification

**ACCESSORIES**

UPTJBUL	Junction weatherproof box for cables connexion (according UL norm)
WASPT0V5L5M00	Water tank 5l, pump with delivery up to 5m (16ft), IN 230Vac-24Vac-120Vac
WASPT0V23L5M00	Water tank 23l, pump with delivery up to 5m (16ft), IN 230Vac-24Vac-120Vac
WASPT0V23L11M00	Water tank 23l, pump with delivery up to 11m (36ft), IN 230Vac-24Vac-120Vac
WASPT1V23L30M00	Water tank 23l, pump with delivery up to 30m (98ft) with water floating, IN 230Vac
WASPT3V23L30M00	Water tank 23l, pump with delivery up to 30m (98ft) with water floating, IN 120Vac

**BRACKETS AND ADAPTORS**

UPTWBA	Wall bracket with internal cable channel
UPTWBTAB	Parapet bracket with internal cable channel
UCCMA	Ceiling bracket for upside down mounting and working of ULISSE COMPACT

**PACKAGE**

Model Number	Weight	Dimensions (WxHxL)	Master carton
UCT1QAWA000A	16kg (35lb)	66x33x57cm (26x13x22in)	-

ULISSE COMPACT THERMAL - CONFIGURATION OPTIONS									
	Voltage	Day/Night camera	Thermal camera			Video output		Frequency	
<b>UCT</b>	<b>1</b> 230Vac	<b>P</b> Day/Night camera 36x optical zoom lens, PAL	<b>A</b> Thermal camera 35mm - 320x256	<b>W</b> With integrated wiper	<b>A</b>	<b>0</b> Analog	<b>00A</b>	-	7.5-8.3Hz
	<b>2</b> 24Vac	<b>Q</b> Day/Night camera 28x optical zoom lens, PAL	<b>B</b> Thermal camera 25mm - 320x256						<b>H</b> 25-30Hz
	<b>3</b> 120Vac	<b>N</b> Day/Night camera 36x optical zoom lens, NTSC	<b>D</b> Thermal camera 35mm - 640x512						
		<b>M</b> Day/Night camera 28x optical zoom lens, NTSC	<b>E</b> Thermal camera 25mm - 640x512						

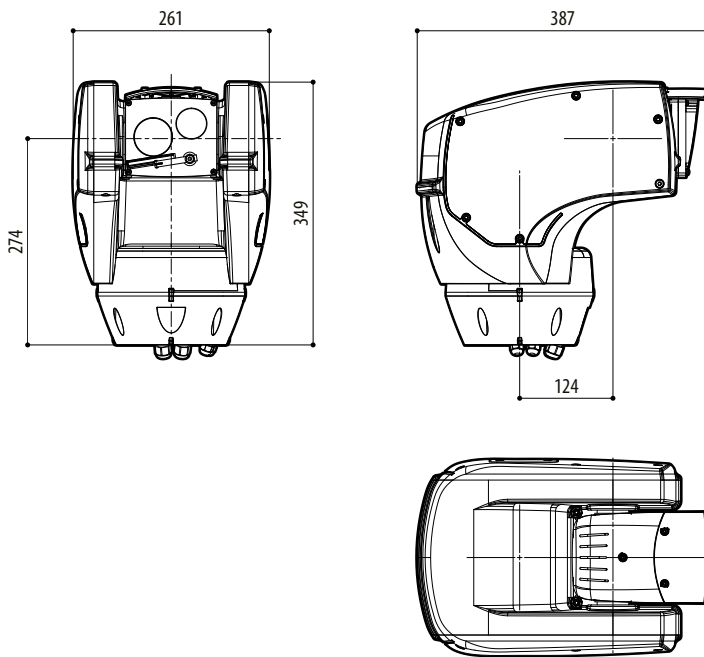
DAY/NIGHT CAMERA FEATURES				
	Day/Night 36x		Day/Night 28x High sensitivity	
	PAL	NTSC	PAL	NTSC
Optical zoom	36x		28x	
Wide Dynamic Range (Fix/Auto)	✓		-	
True progressive SCAN	✓		-	
Digital image stabilisation	✓		✓	
White balance	Auto, ATW, Indoor, Outdoor (Fix/Auto), Sodium Vapor Lamp (Fix/Auto)		Auto, ATW, Indoor, Outdoor (Fix/Auto), Sodium Vapor Lamp (Fix/Auto)	
High horizontal resolution	Up to 550 TV Lines		Up to 550 TV Lines	
Day/Night (Auto ICR)	✓		✓	
Image Sensor	1/4" EXView HAD CCD		1/4" Super HAD CCD II	
Number of effective Pixels	~ 440000 pixel	~ 380000 pixel	~ 440000 pixel	~ 380000 pixel
Min. Color illumination (IR-Cut Filter = OFF)	1.4Lux / 1/50s 0.1 Lux / 1/3s	1.4Lux / 1/60s 0.1 Lux / 1/4s	0.25Lux / 1/50s 0.16 Lux / 1/3s	0.25Lux / 1/60s 0.16 Lux / 1/4s
Min. B/W illumination	0.01 Lux / 1/3s	0.01 Lux / 1/4s	0.0015 Lux / 1/3s	0.0015 Lux / 1/4s
"Shutter Time" automatic increase to improve the night surveillance	✓		✓	
S/N ratio	Greater than 50dB		Greater than 50dB	
AE control	Automatic, Shutter priority, Diaphragm priority, Brightness priority and Manual		Automatic, Shutter priority, Diaphragm priority, Brightness priority and Manual	
Back light compensation	On/Off		On/Off	
Spherical masking (3D) of Privacy zones with automatic upgrade	✓		✓	
Privacy Zone Masking	On/Off (24 positions)		On/Off (24 positions)	
Maximum number of masking blocks to be displayed	8		8	
Resolution of masking blocks	160x120 HxV		160x120 HxV	
Masking	Up to 15 different masking types: 14 colour types or mosaic		Up to 15 different masking types: 14 colour types or mosaic	
Focusing system	Auto (Sensitivity: Normal, Low), Trigger PTZ, Manual		Auto (Sensitivity: Normal, Low), Trigger PTZ, Manual	
"Smart" lens control	Automatic Lens Reset		Automatic Lens Reset	
High Zoom and Wide Horizontal Field of View Capability	✓		✓	
Optical zoom	36x, f=3.4 (wide) to 122.4mm (tele) / F1.6 to F4.5		28x, f=3.5 (wide) to 98mm (tele) / F1.35 to F3.7	
Digital Zoom	12x (432x with optical zoom)		12x (336x with optical zoom)	
Angle of view (A)	57.8 degrees (wide) to 1.7 degrees (tele)		55.8 degrees (wide) to 2.1 degrees (tele)	
Minimum object distance	320mm (12.6in) (wide) to 1500mm (59.1in) (tele)		10mm (0.4in) (wide) to 1500mm (59.1in) (tele)	
Electronic Iris Speed	1/1 ÷ 1/10000s		1/1 ÷ 1/10000s	

THERMAL CAMERAS AVAILABLE (RESOLUTION 320X256)				
	Lens 35mm		Lens 25mm	
	PAL	NTSC	PAL	NTSC
Image sensor	Uncooled VOx microbolometer		Uncooled VOx microbolometer	
Resolution	320x256	320x240	320x256	320x240
Pixel dimensions	25µm		25µm	
Spectral response - long wave infrared (LWIR)	from 7.5µm to 13.5µm		from 7.5µm to 13.5µm	
Internal shutter (only for sensor compensation)	Video stop < 1sec.		Video stop < 1sec.	
Digital Detail Enhancement (DDE)	✓		✓	
Digital Zoom	2x, 4x		2x, 4x	
Image updating frequency	8.3fps	7.5fps	8.3fps	7.5fps
Image updating high frequency	25fps	30fps	25fps	30fps
Scene range (High Gain)	-40°C ÷ +160°C (-40°F ÷ +320°F)		-40°C ÷ +160°C (-40°F ÷ +320°F)	
Scene range (Low Gain)	-40°C ÷ +550°C (-40°F ÷ +1022°F)		-40°C ÷ +550°C (-40°F ÷ +1022°F)	
Horizontal field of view	13°		18°	
Vertical field of view	10°		14°	
F-number	F/1.2		F/1.1	
Thermal sensitivity (NEΔT)	< 50mK to f/1.0		< 50mK to f/1.0	
Person (detection / recognition / identification)	800m / 200m / 105m (2625 / 656 / 345ft)		590m / 148m / 75m (1935 / 486 / 246ft)	
Auto (detection / recognition / identification)	2250m / 590m / 290m (7382ft / 1936ft / 951ft)		1650m / 430m / 215m (5413ft / 1411ft / 705ft)	

THERMAL CAMERAS AVAILABLE (RESOLUTION 640X512)				
	Lens 35mm		Lens 25mm	
	PAL	NTSC	PAL	NTSC
Image sensor	Uncooled VOx microbolometer		Uncooled VOx microbolometer	
Resolution	640x512	640x480	640x512	640x480
Pixel dimensions	17µm		17µm	
Spectral response - long wave infrared (LWIR)	from 7.5µm to 13.5µm		from 7.5µm to 13.5µm	
Internal shutter (only for sensor compensation)	Video stop < 1sec.		Video stop < 1sec.	
Digital Detail Enhancement (DDE)	✓		✓	
Digital Zoom	2x, 4x		2x, 4x	
Image updating frequency	8.3fps	7.5fps	8.3fps	7.5fps
Image updating high frequency	25fps	30fps	25fps	30fps
Scene range (High Gain)	-40°C ÷ +160°C (-40°F ÷ +320°F)		-40°C ÷ +160°C (-40°F ÷ +320°F)	
Scene range (Low Gain)	-40°C ÷ +550°C (-40°F ÷ +1022°F)		-40°C ÷ +550°C (-40°F ÷ +1022°F)	
Horizontal field of view	18°		25°	
Vertical field of view	14°		20°	
F-number	F/1.2		F/1.1	
Thermal sensitivity (NEΔT)	< 50mK to f/1.0		< 50mK to f/1.0	
Person (detection / recognition / identification)	1140m / 280m / 142m (3740ft / 919ft / 466ft)		820m / 210m / 104m (2690 / 689 / 341ft)	
Auto (detection / recognition / identification)	3000m / 800m / 200m (9843ft / 2625ft / 656ft)		2200m / 580m / 290m (7218ft / 1903ft / 951ft)	

**TECHNICAL DRAWINGS**

*Sizes in millimeters.*



ULISSE COMPACT THERMAL