

- For indoor and outdoor installation
- Made of aluminium, painted with epoxy powder

WFWBTA • Column bracket suitable for PTH900, PTH300 and PTH355P Pan & Tilt motors, made of aluminium and furnace painted with epoxy polyester powder RAL9002. It can be used with PTBC, WFWCA and PTAC brackets.

PTAC • Wall mount for PTH300 and PTH355P Pan & Tilt motors, made of aluminium, painted with epoxy polyester powder RAL9002. It is suitable for all adaptors for mounting on any kind of surface.

PTBC • Wall bracket for PTH900 Pan & Tilt motor. Made of die-cast aluminium and painted with epoxy polyester powder RAL9002, it can be perfectly combined with PTCC pole adaptor.

PTPC • Top of pole adaptor plate for PTH900, PTH300 and PTH355P Pan & Tilt motors. Made of 3mm-thick sheet steel and painted with epoxy polyester powder RAL9002, it ensures a firm fixing of the Pan & Tilt motor.

PTDC • Ceiling bracket for PTH900, PTH300 and PTH355P Pan & Tilt motors. Made of steel painted with epoxy polyester powder RAL9002, it ensures a firm fixing of the Pan & Tilt motor.



TECHNICAL DATA

P&T BRACKETS

Models	
WFWBTA	Parapet mount for P&T's
PTAC	Wall mount for P&T's
PTBC	Wall mount for P&T's
PTPC	Top pole mount for P&T's
PTDC	Ceiling mount for P&T's

GENERAL

Made of die-cast aluminium
 Furnace painted with epoxypolyester powder RAL9002
 Made of steel (only PTPC)

MECHANICAL

WFWBTA
 Column mounting
 Height: 185mm [7.2in]
 Load rating: 50kg [110lb]

PTAC

Wall mounting or on modular adaptors
 Length: 360mm [14.1in]
 Load rating: 35kg [77lb]

PTBC

Wall mounting or on modular adaptors
 Length: 458mm [18in]
 Load rating: 50kg [110lb]

PTPC

Top of pole mounting
 Length: 105mm [4.1in]
 Pole dimensions: Ø 80 - 120mm [3.1-4.7in]
 Load rating: 50kg [110lb]

PTDC

Ceiling mounting
 Length: 320mm [12.6in]
 Load rating: 50kg [110lb]

ENVIRONMENT

Indoor / Outdoor



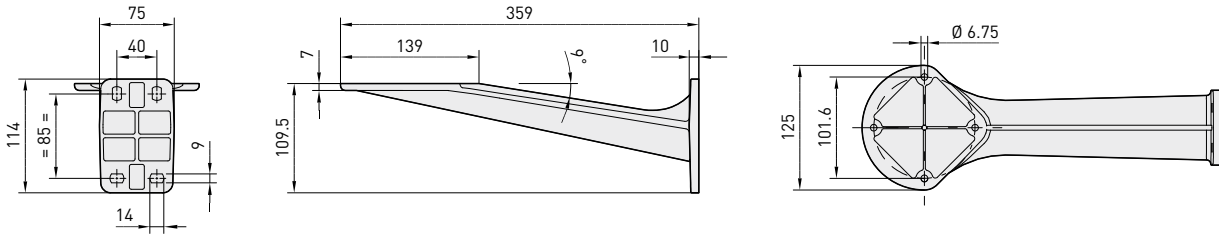
Unit Weight:
WFWBTA 0.8kg / 1.8lb
PTAC 0.7kg / 1.6lb
PTBC 2.2kg / 4.8lb
PTPC 1.9kg / 4.1lb
PTDC 0.9kg / 1.9lb

Package Weight:
WFWBTA 1kg / 2.2lb
PTAC 0.9kg / 2.1lb
PTBC 2.5kg / 5.5lb
PTPC 2.1kg / 4.6lb
PTDC 1.2kg / 2.6lb

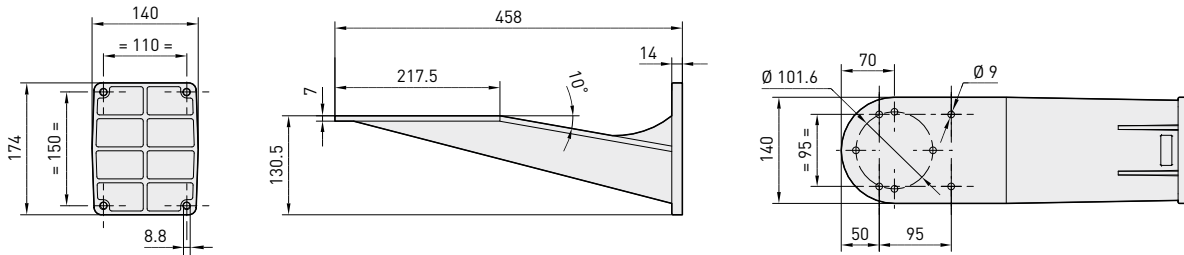
Package Dimensions(BxHxL):
WFWBTA 14.25x15x27cm / 5.6x5.9x10.6in
PTAC 13.5x13.5x45cm / 5.3x5.3x17.7in
PTBC 20.5x15.5x49cm / 8x6.1x19.3in
PTPC 14.5x15x27cm / 5.6x5.9x10.6in
PTDC 22x22x35.5cm / 8.6x8.6x14in

Master Carton:
WFWBTA 15 units
PTAC 12 units
PTBC 8 units
PTPC 15 units
PTDC -

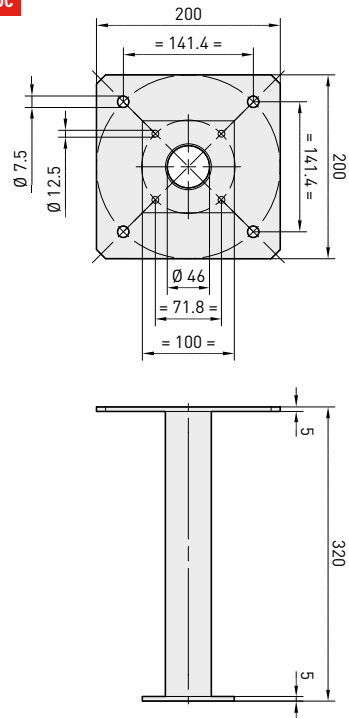
PTAC



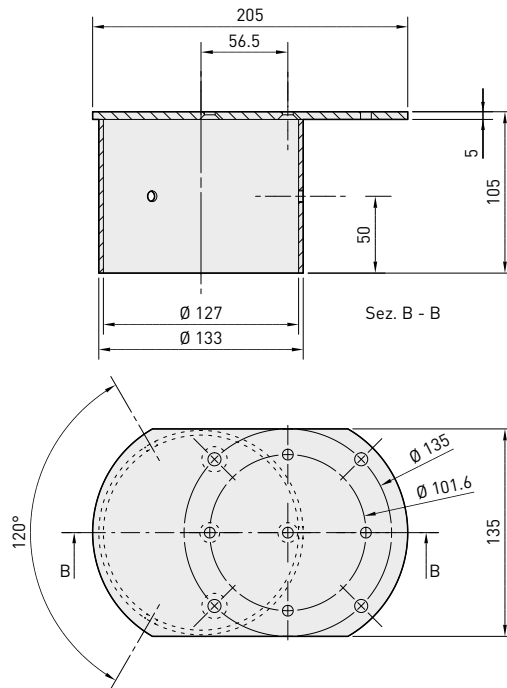
PTBC



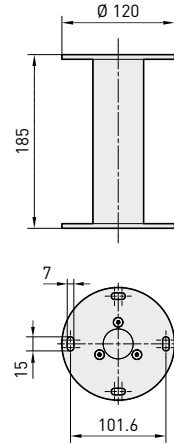
PTDC



PTPC



WFWBTA



The values are in millimeters.

