

BRACKETS AND ADAPTERS FOR NXPTZ AND NXPTZT

NXPTZWB WALL MOUNT

Made of AISI 316L electropolished stainless steel

Load rating: 40kg (88lb)

Length: 400mm (15.7in)

Can be coupled with modular NXPTZCW and NXPTZCOL components



NXPTZWB

NXPTZTW PARAPET OR CEILING MOUNTING BRACKET

Made of AISI 316L electropolished stainless steel

Load rating: 40kg (88lb)

Dimensions: Ø 238mm (9.4in)



NXPTZTW

NXPTZCW CORNER MOUNT ADAPTER

Made of AISI 316L electropolished stainless steel

Load rating: 50kg (110lb)

Dimensions: 335x186mm (13.2x7.3in)



NXPTZCW

NXPTZCOL POLE MOUNT ADAPTER

Made of AISI 316L electropolished stainless steel

For pole diameters: 110÷150mm (4.3÷5.9in)

Load rating: 50kg (110lb)

Dimensions: 198x182mm (7.8x7.2in)



NXPTZCOL

NXPTZWB WALL MOUNT

PACKAGE			
Model Number	Weight	Dimensions (WxHxL)	Master carton
NXPTZWB	2.9kg (6.4lb)	43.5x42x20cm	4

NXPTZTW PARAPET OR CEILING MOUNTING BRACKET

PACKAGE			
Model Number	Weight	Dimensions (WxHxL)	Master carton
NXPTZTW	3.2kg (7.1lb)	33x27x6.5cm (13x11x2.4in) -	

NXPTZCW CORNER MOUNT ADAPTER

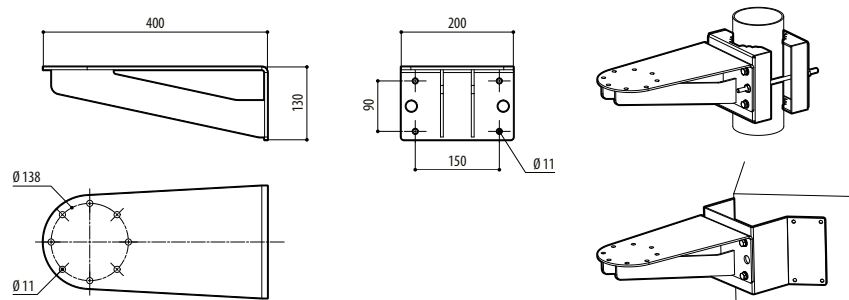
PACKAGE			
Model Number	Weight	Dimensions (WxHxL)	Master carton
NXPTZCW	4.8kg (10.6lb)	36.5x25.5x26cm (14.4x10x10.2in)	5

NXPTZCOL POLE MOUNT ADAPTER

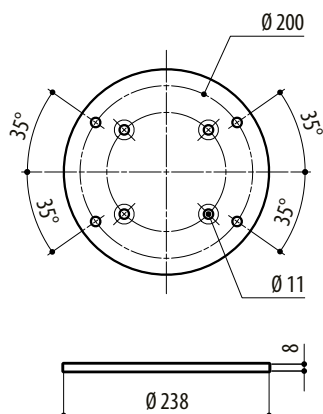
PACKAGE			
Model Number	Weight	Dimensions (WxHxL)	Master carton
NXPTZCOL	4.9kg (10.8lb)	24x15x21.5cm (9.4x6x8.5in)	6

TECHNICAL DRAWINGS

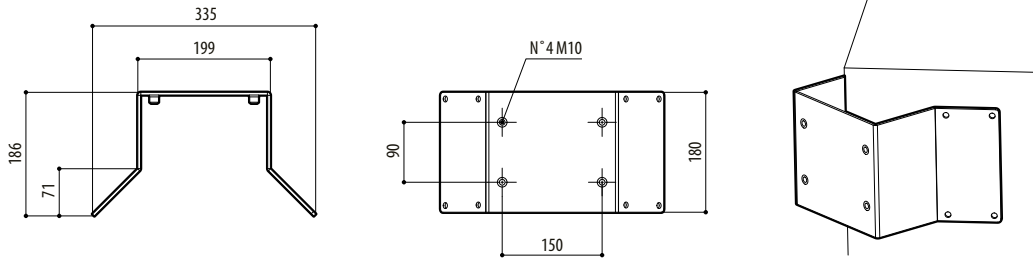
Sizes in millimeters.



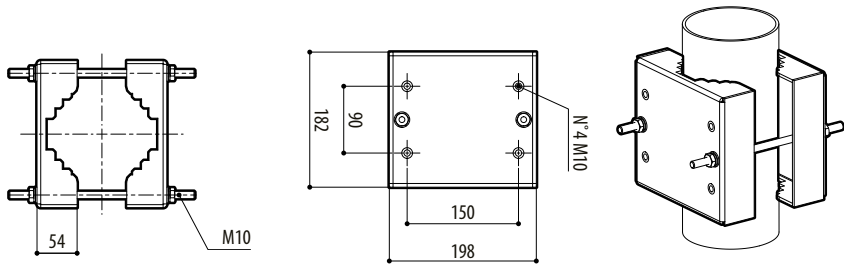
NXPTZWB



NXPTZTW



NXPTZCW



NXPTZCOL

