

NXPTZ

STAINLESS STEEL POSITIONING UNIT WITH INTEGRATED DAY/NIGHT CAMERA



MAIN FEATURES

Electropolished AISI 316L stainless steel

Pre-wired multipolar cable

IP66

Variable speed: 0.1°-100°/s Pan and Tilt

Preset accuracy: 0.02°

Day/Night camera 36x or 28x

- True Progressive Scan
- High resolution: up to 550 TVLines
- Advanced image stabilizer (Stable Zoom Mode)
- Day/Night (Auto ICR: automatic removal of IR filter)

Integrated wiper

Operating temperature: -40°C / +60°C (-40°F / +140°F)

OPTIONS:

IP based control mode, H.264/AVC, 25fps, Full D1 (compatible with ONVIF protocol, Profile S)

DESCRIPTION

The NXPTZ is an exceptional integrated PTZ unit perfect for heavy-duty tasks and ideal to operate in the harshest and most corrosive environments, such as industrial and offshore/onshore marine applications.

The NXPTZ ensures long-term performance, with low maintenance, thanks to the maximum care in the construction processes and the best quality AISI316L, passivated and electropolished. These special treatments create a shell in the surface that makes the product completely impervious to rusting and corrosion.

All models are available in analog or IP version.

The flexible operator control of pan/tilt/zoom functions allows the video transmission over the local area network (LAN) or over the Internet with H.264/AVC compression, compatible with ONVIF Profile S.

The unit is always supplied with integrated wiper; wide choice of tanks with washer pump available with different capacities and delivery heights.



NXPTZ



NXPTZ



NXPTZ

MARINE - Stainless Steel Products



TECHNICAL DATA

GENERAL

AISI 316 stainless steel construction
 Passivated and electropolished external surfaces
 Quick configuration and setup
 Dynamic positioning control system

MECHANICAL

Pre-wired multipolar cable
 Zero backlash
 Horizontal rotation: 360° continuous
 Vertical rotation: -90° to +90°
 Horizontal speed (variable): from 0.1° to 100°/s
 Tilt speed (variable): from 0.1° to 100°/s
 Preset accuracy: 0.02°
 6mm glass window
 Integrated wiper
 Unit weight: 20.5kg (45lb)

ELECTRICAL

Power supply/Current consumption:
 • 230Vac, 0.52A max, 50/60Hz
 • 24Vac, 5A max, 50/60Hz
 • 120Vac, 1A max, 50/60Hz

1 video output 75 Ohm 1Vpp (PAL/NTSC)

Functions: Autopan, Preset, Patrol, Tour (maximum 3), Autoflip

Maximum number of presets for protocol

- VIDEOTECH MACRO: 250
- ERNITEC: 250
- PANASONIC: 250
- PELCO D: 99
- AMERICAN DYNAMICS: 95

16-character string for zone and preset titling

I/O alarm card:

- 5 alarm inputs
- 2 relay outputs (1A 30Vac/60Vdc max)

COMMUNICATIONS

Configuration through OSD
 2 half-duplex RS-485 or full-duplex RS-422 serial interfaces
 Firmware updating from console in remote mode (only VIDEOTECH MACRO and PELCO D protocols)
 Up to 999 units, addressable by means of dip-switches
 NXPTZ, IP based control mode:
 • Connection Ethernet port LAN 10/100T

PROTOCOLS

AMERICAN DYNAMICS, ERNITEC, PANASONIC, PELCO D, VIDEOTECH MACRO*

AMERICAN DYNAMICS, ERNITEC, PANASONIC, PELCO are registered trademarks.

The product may be interfaced with devices not manufactured by VIDEOTECH. It is possible that the interface protocols have changed or are in a different configuration from earlier tested units by VIDEOTECH. VIDEOTECH recommends a test prior to installation. VIDEOTECH will not be liable for any installation costs or lost revenues in the event a compatibility problem will occur.

NXPTZ, IP based control mode:

- Compression H.264/AVC and JPEG
- Two independent video streams
- Image resolution: from Full D1 (720x576 for PAL, 720x480 for NTSC) to 352x240 in 18 steps
- Web Server
- Compatible with ONVIF protocol, Profile S

ENVIRONMENT

Indoor/Outdoor
 Operating temperature: From -40°C (-40°F) to +60°C (140°F)
 Installation temperature (not operative): From -40°C (-40°F) to +60°C (140°F)
 Surge immunity: up to 2kV line to line, up to 4kV line to earth (Class 4)

CERTIFICATIONS

CE: EN60950-1, EN60950-22, EN61000-6-3, EN50130-4
 CE: EN55022, Class A
 CE: EN60529 IP66
 FCC Part 15, Class A

ACCESSORIES

WASPT0V5L5M00	Water tank 5l, pump with delivery up to 5m (16ft), IN 230Vac-24Vac-120Vac
WASPT0V23L5M00	Water tank 23l, pump with delivery up to 5m (16ft), IN 230Vac-24Vac-120Vac
WASPT0V23L11M00	Water tank 23l, pump with delivery up to 11m (36ft), IN 230Vac-24Vac-120Vac
WASPT1V23L30M00	Water tank 23l, pump with delivery up to 30m (98ft) with water floating, IN 230Vac
WASPT3V23L30M00	Water tank 23l, pump with delivery up to 30m (98ft) with water floating, IN 120Vac

BRACKETS AND ADAPTORS

MPXWBA	AISI 316L stainless steel wall bracket
MPXCW	AISI 316L stainless steel corner adapter module
MPXCOL	AISI 316L stainless steel pole adapter module
MPXWBTA	AISI 316L stainless steel parapet or ceiling mounting bracket

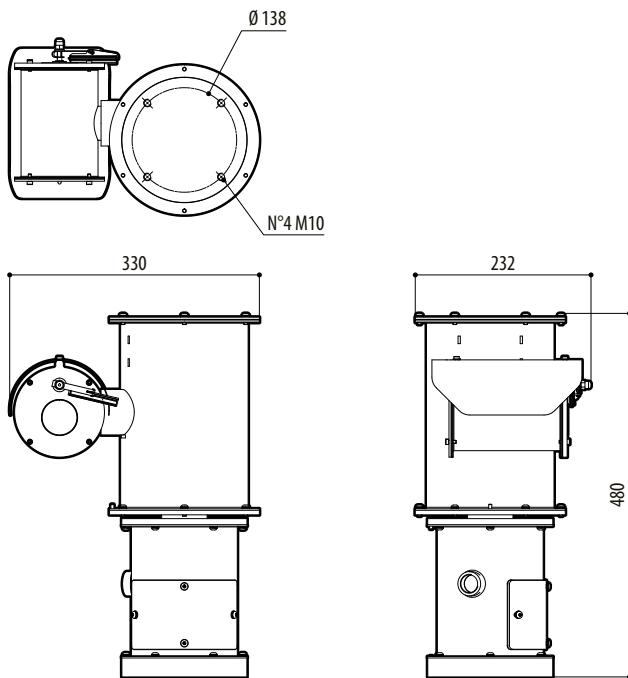
PACKAGE

Model Number	Weight	Dimensions (WxHxL)	Master carton
NXPTZ1PVW000A	25kg (55lb)	54x31x49cm	-

NXPTZ - CONFIGURATION OPTIONS							
	Voltage	Day/Night camera				Video output	
NXPTZ	1 230Vac	P Day/Night camera 36x optical zoom lens, PAL	V With alarm board	W With wiper	0	0 Analog control mode	00A
	2 24Vac	Q Day/Night camera 28x optical zoom lens, PAL				Z IP H.264/AVC Control mode, Protocol ONVIF Profile S	
	3 120Vac	N Day/Night camera 36x optical zoom lens, NTSC					
		M Day/Night camera 28x optical zoom lens, NTSC					

TECHNICAL DRAWINGS

Sizes in millimeters.



NXPTZ

CAMERA FEATURES				
	SONY Day/Night 36x		SONY Day/Night 28x High sensitivity	
	PAL	NTSC	PAL	NTSC
Optical zoom	36x		28x	
Wide Dynamic Range (Fix/Auto)	✓		-	
True progressive SCAN	✓		-	
Digital image stabilisation	✓		✓	
White balance	Auto, ATW, Indoor, Outdoor (Fix/Auto), Sodium Vapor Lamp (Fix/Auto)		Auto, ATW, Indoor, Outdoor (Fix/Auto), Sodium Vapor Lamp (Fix/Auto)	
High horizontal resolution	Up to 550 TV Lines		Up to 550 TV Lines	
Day/Night (Auto ICR)	✓		✓	
Image Sensor	1/4" EXView HAD CCD		1/4" Super HAD CCD II	
Number of effective Pixels	~ 440000 pixel	~ 380000 pixel	~ 440000 pixel	~ 380000 pixel
Min. Color illumination (IR-Cut Filter = OFF)	1.4Lux / 1/50s 0.1 Lux / 1/3s	1.4Lux / 1/60s 0.1 Lux / 1/4s	0.25Lux / 1/50s 0.16 Lux / 1/3s	0.25Lux / 1/60s 0.16 Lux / 1/4s
Min. B/W illumination	0.01 Lux / 1/3s	0.01 Lux / 1/4s	0.0015 Lux / 1/3s	0.0015 Lux / 1/4s
"Shutter Time" automatic increase to improve the night surveillance	✓		✓	
S/N ratio	Greater than 50dB		Greater than 50dB	
AE control	Automatic, Shutter priority, Diaphragm priority, Brightness priority and Manual		Automatic, Shutter priority, Diaphragm priority, Brightness priority and Manual	
Back light compensation	On/Off		On/Off	
Spherical masking (3D) of Privacy zones with automatic upgrade	✓		✓	
Privacy Zone Masking	On/Off (24 positions)		On/Off (24 positions)	
Maximum number of masking blocks to be displayed	8		8	
Resolution of masking blocks	160x120 HxV		160x120 HxV	
Masking	Up to 15 different masking types: 14 colour types or mosaic		Up to 15 different masking types: 14 colour types or mosaic	
Focusing system	Auto (Sensitivity: Normal, Low), Trigger PTZ, Manual		Auto (Sensitivity: Normal, Low), Trigger PTZ, Manual	
"Smart" lens control	SONY Modular Automatic Lens Reset Technology		SONY Modular Automatic Lens Reset Technology	
High Zoom and Wide Horizontal Field of View Capability	✓		✓	
Optical zoom	36x, f=3.4 (wide) to 122.4mm (tele) / F1.6 to F4.5		28x, f=3.5 (wide) to 98mm (tele) / F1.35 to F3.7	
Digital Zoom	12x (432x with optical zoom)		12x (336x with optical zoom)	
Angle of view (A)	57.8 degrees (wide) to 1.7 degrees (tele)		55.8 degrees (wide) to 2.1 degrees (tele)	
Minimum object distance	320mm (12.6in) (wide) to 1500mm (59.1in) (tele)		10mm (0.4in) (wide) to 1500mm (59.1in) (tele)	
Electronic Iris Speed	1/1 ÷ 1/10000s		1/1 ÷ 1/10000s	

SONY is a registered trademark of SONY Corporation, Japan. EXView HAD is a registered trademark of SONY Corporation.