

HTG

LARGE HOUSING FOR THERMAL CAMERAS

MAIN FEATURES

Germanium window

IP66/IP67

Integrated heater

Available accessories: camera power supply

DESCRIPTION

This housing has been designed to fit thermal cameras with large lenses for vision even in total darkness, fog, rain, smoke, or for long distances.

It is possible to use it for a wide range of day/night surveillance systems, such as: monitoring and rescue in the event of a fire, public safety, along with airport, industrial and environmental surveillance.

The opening system allows an easy access for installation and servicing.

It can be installed with cable sheaths, instead of regular cable glands using the junction box for the wiring harness.



HTG

AVAILABLE MODELS				
Model Number	Housing sunshield	Power supply 230Vac	Power supply 24Vac	Ø germanium window
HTG37K1A000	✓	✓	–	55mm (2.1in)
HTG37K2A000	✓	–	✓	55mm (2.1in)

TECHNICAL DATA

GENERAL

Germanium window
 Die-cast aluminium back and front cover plates
 Extruded aluminium body and external slide
 Epoxypolyester powder painting, RAL9002 colour
 Stainless steel external screws

MECHANICAL

Cable glands: 3xM16
 Internal usable area (WxH): 134x88mm (5.1x3.5in)
 Internal usable length (with or without accessories): 273mm (10.7in)
 Unit weight: 4.1kg (9lb)
 Germanium window
 • Dimensions (Ø): 70mm (2.8in) (external), 55mm (2.1in) (internal)
 • Thick: 2mm (0.07in)
 External scratch-resistant treatment: Hard Carbon Coating (DLC)
 Internal antireflection treatment
 • Spectral range: 7.5µm ÷ 14µm
 • Medium transmittance (7.5µm ÷ 11.5µm): 94%
 • Medium transmittance (11.5µm ÷ 14µm): 90%

ELECTRICAL

Heater (Ton 15°C±3°C (59°F±5°F), Toff 22°C±3°C (77°F±5°F))
 • Power supply/Consumption: IN 12Vdc/24Vac, 20W max
 • Power supply/Consumption: IN 120/230Vac, 40W max
 Camera power supply
 • IN 100-240Vac, 50/60Hz - OUT 12Vdc, 1A
 • IN 230Vac - OUT 24Vac, 50/60Hz, 400mA

ENVIRONMENT

Indoor/Outdoor
 Operating temperature with heating: -20°C (-4°F)/+60°C (140°F)

CERTIFICATIONS

CE EN61000-6-3, EN60065, EN50130-4
 IP66/IP67 EN60529 with cable glands

ACCESSORIES

OHEPS19B Wide range camera power supply IN 100-240Vac - OUT 12Vdc, 15W, for VERSO, VERSO POLAR, VERSO COMPACT, HEG, HTG housings
 OHEPS20 Camera power supply IN 230Vac - OUT 24Vac, 10VA, for VERSO, VERSO POLAR, VERSO COMPACT, HEG, HTG housings
 OHEGBPS1B Wide range camera power supply IN 100-240Vac - OUT 12Vdc in weatherproof box, 15W, for VERSO, VERSO POLAR, HEG, HTG housings
 OHEGBPS2B Camera power supply IN 230Vac - OUT 24Vac in weatherproof box, 10VA, for VERSO, VERSO POLAR, HEG, HTG housings
 OHEGBB Weatherproof junction box

RELATED PRODUCTS

PTH900 Horizontal/vertical Pan & Tilt

BRACKETS AND ADAPTORS

WBJA Ceiling bracket with ball joint
 WCM5A Ceiling bracket with ball joint
 WFWCA Column bracket with joint

SPARE PARTS

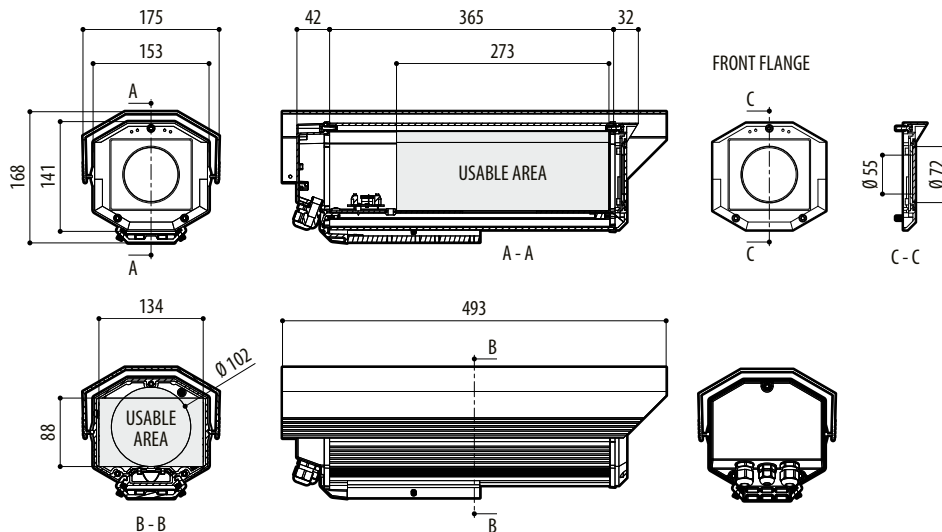
OHEH24B Heater 120/230Vac for HEG, HTG, AVTPSK, AVTPSC housings
 OHEH25B Heater 12Vdc/24Vac for HEG, HTG, AVTPSK, AVTPSC housings
 DOTHE01 Spacers for camera and lens
 OHEGNMAN Cable glands, gaskets and screws
 OHEGFPN04 Back cover with cable glands, gaskets and screws
 OHTGFA Front cover with germanium window

PACKAGE

Model Number	Weight	Dimensions (WxHxL)	Master carton
HTG37K1A000	4.5kg (9.9lb)	19.5x20x52.5cm (7.7x7.9x20.7in)	-

TECHNICAL DRAWINGS

Sizes in millimeters.



HTG