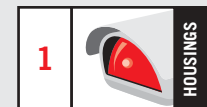




HEB32K



HEC32K + WB0V



- Indoor/Outdoor installations
- Extruded aluminium body epoxy painted
- Hinged, removable body
- Wide range of mounts
- Weatherproof Standard IP66 (HEB)
- Weatherproof Standard IP54 (HEC)

New design, weatherproof housing for outdoor installations. Its dimensions make it suitable for several 1/2", 1/3" and 1/4" CCD cameras equipped with a wide range of lenses. Made of extruded and die-cast aluminium, it is provided with an innovative opening system which allows access to the housings's interior; the body and the sunshield slide forward and hang in place, while the unit remains fixed allowing access to the camera from all angles. This can be done from either side for a rapid installation and easy adjustment.

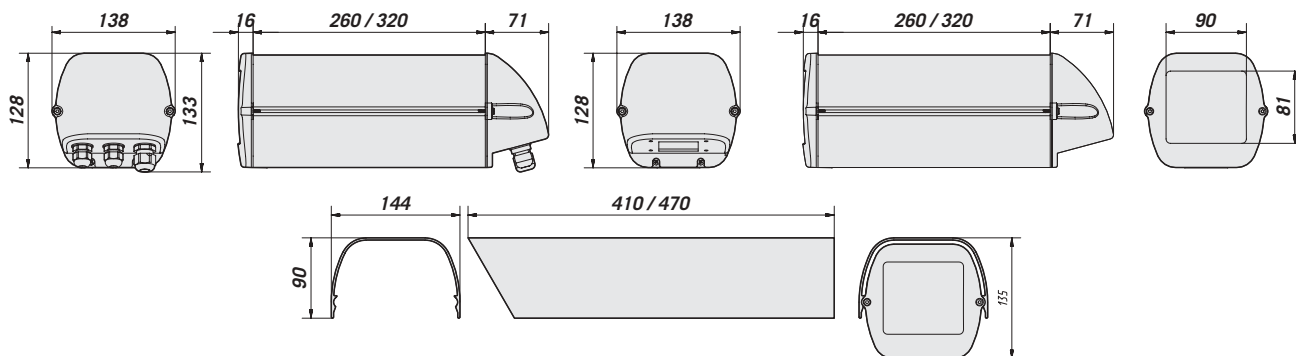
Its weatherproof features are ensured by the thermo-shaped EPDM-rubber gaskets and 2 PG9 and 1 PG11 cable glands with their specific gaskets (HEB). The rear mounting bracket offers vandal-proof protection due to the internal cable channel for concealed power and video cables (HEC).

A wide range of accessories is available, including sunshield, normal and fan-assisted heater, blower kit and camera power supply. The accessories are supplied factory installed or as a simple upgrade kit.

MODELS

		Length mm / in	Sunshield	Heater 110VAC-230VAC	Heater 12VDC-24VAC	Blower 230VAC	Blower 24VAC	Heater 24VAC fan-assisted
HEB26D0A000	HEC26D0A000	260 / 10						
HEB26K0A000	HEC26K0A000	260 / 10	•					
HEB26K1A000	HEC26K1A000	260 / 10	•	•				
HEB26K2A000	HEC26K2A000	260 / 10	•		•			
HEB32D0A000	HEC32D0A000	320 / 12.5						
HEB32K0A000	HEC32K0A000	320 / 12.5	•					
HEB32K1A000	HEC32K1A000	320 / 12.5	•	•				
HEB32K2A000	HEC32K2A000	320 / 12.5	•		•			
HEB32K1A011	HEC32K1A011	320 / 12.5	•	•*		•		
HEB32K2A012	HEC32K2A012	320 / 12.5	•		•*		•	
HEB32K2A015		320 / 12.5	•					•

* Heater fed only in 230VAC or 24VAC



The values are in millimeters.

TECHNICAL DATA

GENERAL

- Die-cast aluminium back and front cover plates
- Extruded aluminium body and external slide
- Epoxypolyester powder painted colour RAL9002
- Stainless steel external screws
- Supplied with: instruction manual, desiccant bag, accessories for camera and lens mounting

MECHANICAL

- HEB model 3 cable-glands: 2xPG9 and 1xPG11
- Internal usable dimensions (BxH): 90x85 mm (3.54x3.34 in)
- Glass window (BxH): 90x81 mm (3.54x3.18 in)

Usable length mm (in):

Housing:

HEB26 HEC26 260 mm (10.23 in)

HEB32 HEC32 320 mm (12.59 in)

Housing with heater:

HEB26 HEC26 190 mm (7.48 in)

HEB32 HEC32 250 mm (9.84 in)

Housing with heater and/or camera power supply:

HEB26 HEC26 190 mm (7.48 in)

HEB32 HEC32 250 mm (9.84 in)

Housing with heater and/or blower:

HEB26 HEC26 190 mm (7.48 in)

HEB32 HEC32 250 mm (9.84 in)

ELECTRICAL

Heater, Ton 15°C+/-3°C (59°F) Toff 22°C +/-3°C (71°F):

OHEH09 12VDC-24VAC consumption 20W

OHEH10 110VAC-230VAC consumption 40W

Blower with air filter and thermostat,

Ton 35°C +/-3° (95°F) Toff 20°C +/-3° (68°F):

HEBV12 HECV12 Input 12VDC consumption 4 W (max)

HEBV24 HECV24 Input 24VAC consumption 4 W (max)

HEBV220 HECV220 Input 230VAC consumption 4 W (max)

Camera power supply:

OHEPS01 Input 230VAC, 50Hz, output 12VDC, 400mA max

OHEPS02 Input 230VAC, 50Hz, output 24VAC, 400mA max

ACCESSORIES

OHEBS26 OHECS26 Sunshield 260 mm

OHEBS32	OHECS32	Sunshield 320 mm
OHEH09	OHEH09	Heater 12VDC-24VAC
OHEH10	OHEH10	Heater 110VAC-230VAC
OHEBV12	OHECV12	Blower with thermostat and air filter 12VDC
OHEBV24	OHECV24	Blower with thermostat and air filter 24VAC
OHEBV220	OHECV220	Blower with thermostat and air filter 230VAC
OHEPS01	OHEPS01	Camera power supply 230VAC/12VDC
OHEPS02	OHEPS02	Camera power supply 230VAC/24VAC
OHEGB	OHEGB	Junction box

RELATED PRODUCTS

Mounts:

WBJ Wall mount for HEB

WFWC Column mount for HEB

WCM3 Ceiling mount for HEB

WCM5 Ceiling mount for HEB

WBOV Wall mount with integral cable management HEC

WBOV3 Wall mount with integral cable management, support plate and integrated junction box HEC

WCM4 Ceiling mount with integral cable management HEC

P&T:

PTH300 series P&T, 50/60Hz, for HEB housing

PTH900 series P&T, 50/60Hz, for HEB housing

ENVIRONMENTAL

- Indoor/outdoor
- Operating temperature:
HEB-HEC with heater: -20°C a + 50°C (-4°F up to 122°F)
- Resistant to the salt-air fog until 1000 hours (according to ISO9227)

COMPLIANCE TO

- CE compliance according to EN60065, EN50081-1, EN50082-1
- IP66 according to EN60529 (HEB)
- IP54 according to EN60529 (HEC)

SPARE PARTS

OHBCFA04 Front cover HEB-HEC + screws + gasket

OHEBMAN Cable glands, gaskets and screws for HEB

OHECMAN Gaskets and screws for HEC

DOTHE01 HEB-HEC accessories for camera and lens mounting



Unit Weight (kg / lb):

HEB26K, HEC26K: 2,85 / 6.28

HEB32K, HEC32K: 3,2 / 7.05

Package Weight (kg / lb):

HEB26K, HEC26K: 3,1 / 6.83

HEB32K, HEC32K: 3,45 / 7.6

Package Dimensions (cm / in):

HEB26K, HEC26K: 16x15x43

HEB32K, HEC32K: 16,5x15,5x49

Master Carton (units):

HEB26K, HEC26K: 10

HEB32K, HEC32K: 10