

EXDTRX3-EXDTRX324

EXPLOSION-PROOF TELEMETRY RECEIVERS

REVISION 0945



MAIN FEATURES

- Explosion-proof certified
- Indoor / Outdoor installations
- Control of ex-proof Pan & Tilt

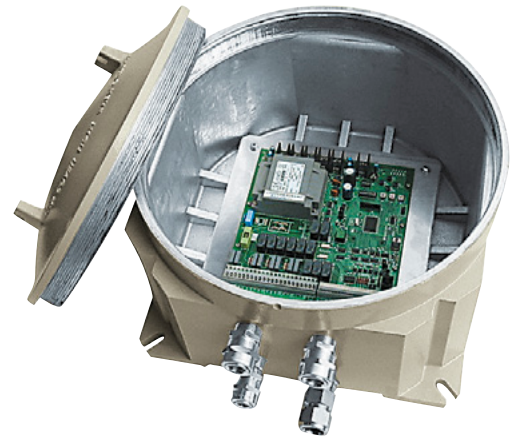
DESCRIPTION

Telemetry receiver built in an explosion-proof box for the control of EXPTC and EXPTD explosion-proof Pan & Tilt. It allows installations in potentially hazardous areas.

EXDTRX3 allows the full control of Pan & Tilt's functions, presets and lens.

Epoxy polyester powder painting, RAL7032 colour, IP66, it is supplied with 1x3/4" GAS IP66 ATEX cable gland for armoured cable (suitable for the cable coming from the Pan & Tilt) and with 3x3/4" GAS IP66 ATEX cable glands not for armoured cables (eventually available for armoured cables).

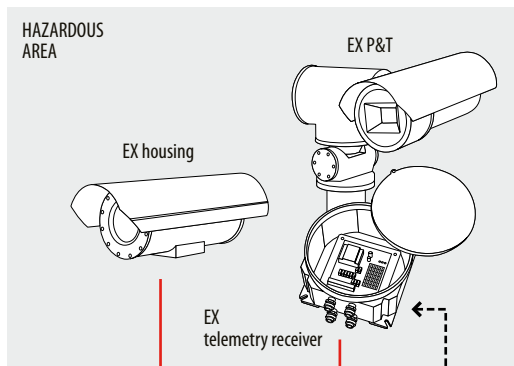
Available in 230Vac, EXDTRX3, and in 24Vac, EXDTRX324.



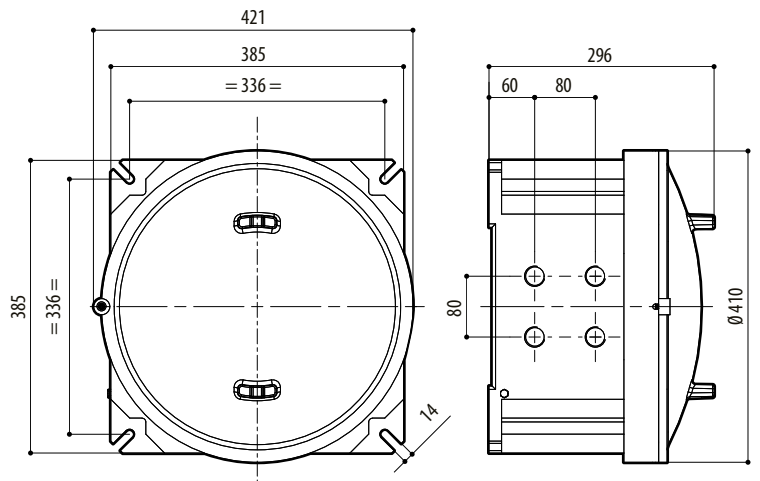
EXDTRX324



EXDTRX3



- Twisted pair RS485 (max distance 1200m / 3937ft)
- - - Twisted pair RS485 (max distance 1200m / 3937ft) telemetry only
- Video-coax only (max distance 350m / 1148ft)



EXDTRX3 - EXDTRX324

EXDTRX3-EXDTRX324**TECHNICAL DATA****GENERAL**

Built-in aluminium alloy
 Neoprene gaskets
 Stainless steel screws
 Epoxypolyester powder painting, RAL7032 colour
 Supplied with 2x3/4" GAS plugs and instruction manual

MECHANICAL

3x3/4" GAS IP66 ATEX cable glands for non-armoured cables (eventually available for armoured cables)
 1x3/4" GAS IP66 ATEX cable gland for armoured cables
 External Dimensions: 410x410x296mm (16.1x16.1x11.6in)
 Internal Dimensions: 353x353x206mm (13.8x13.8x8.1in)

ELECTRICAL

Power Supply
 • IN 230Vac, 50/60Hz, 40W max
 • IN 24Vac, 50/60Hz, 40W max
 Max switching power: 100W
 Power supplied to the positioning device: 24Vac, 50/60Hz
 Power supplied to glass protection device: 24Vac
 Power supplied to the lens: OUT 3-12Vdc (max 100mA)
 999 selectable addresses through Dip Switches
 Ability of using both polarity inversion lenses and common wire lenses
 LED indicating power supplied to the unit
 LED indicating active functions
 EEPROM for the storage of active options
 16 bit microcontroller with re-programmable Flash memory
 PRESET / SCAN / PATROL functions with an automatic recognition of the existing functions
 Ability to memorize up to 14 PRESET functions (P&T motor, lens). Up to 40 positions if combined with DCJ and DCT keyboards
 4 alarm contacts set as N.O. or N.C.

COMMUNICATIONS

Serial input selectable between RS232 / Current Loop / RS485
 Selectable communication speed (38400 / 19200 / 9600 / 1200 / 300 Baudrate)
 RS232, RS485 and Current Loop repeater for in-line configuration

PROTOCOLS

VIDEOTECH (300, 1200, 9600, 19200 Baudrate)
 MACRO (1200, 9600, 19200, 38400 Baudrate)
 PELCO D (2400, 4800, 9600, 19200 Baudrate)

ENVIRONMENT

Indoor / Outdoor
 Operating temperature: 0°C / +50°C (+32°F / +122°F)

CERTIFICATIONS

ATEX, directive 94/9/CE

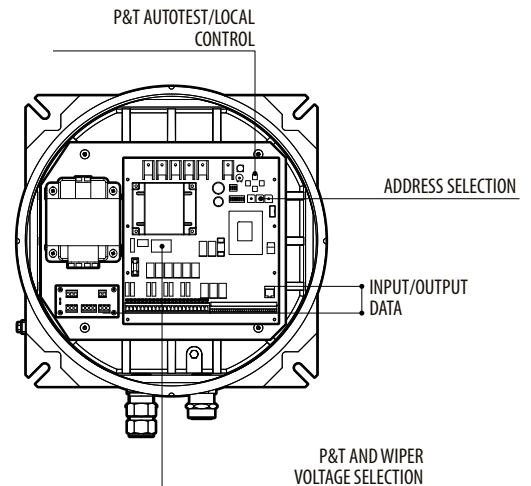
- II: Group (surface device, no mining)
- 2: Category (elevated protection degree, the devices in this category can be installed in zone 1 and 21 and in zone 2 and 22)
- GD: Atmosphere type (gas and dusts)
- Ex d: explosion-proof housing for potentially explosive environments
- IIC: gas group
- T6: gas temperature classification
- Ex tD A21: dust ignition protection, zones type 21-22
- IP66: IP protection degree
- T85°C: Maximum surface temperature for dusts

EXDTRX3 - EXDTRX324

- Ⓢ II 2 GD Exd IIC T6 Ex tD A21 IP66 T85°C ATEX
- GOST-R 1ExdIIC T6 и DIP A21 T_A T85°
- Ⓒ 0722: notify number from competent body

RELATED PRODUCTS

EXPTC	Ex P&T
EXPTD	Ex P&T
DCTEL	Matrix and Telemetry Control Keyboard
DCJ	Matrix, Mux and Telemetry Control Keyboard with three axis joystick
DCT	Matrix, Mux, DVR and Telemetry Control Keyboard touch screen equipped with three axis joystick
SM42B-SM82B	Matrix 4/8 inputs and 2 outputs
SM84B-SM164B	Matrix 8/16 inputs and 4 outputs
SM328B	Matrix 32 inputs and 8 outputs



EXDTRX3

mm 1:10

PACKAGE

Code	Unit weight		Package weight		Package dimensions (WxHxL)		Master carton
	kg	lb	kg	lb	cm	in	unit
EXDTRX324	29.0	63.9	30.5	67.2	50.0x50.0x36.0	19.7x19.7x14.2	-
EXDTRX3	32.0	70.5	33.5	73.8	50.0x50.0x36.0	19.7x19.7x14.2	-