

Sphere and half-sphere domes consisting of an upper part made of black aluminium and a lower spherical part in semi-transparent black plexiglass. This system allows only one diaphragm of luminosity to be lost by the camera and at the same time masks it. The dome easily blends in with existing outdoor lighting, allowing a discreet surveillance of the area, particularly if it is combined with an infrared light system.

#### DBH45

Full sphere weatherproof dome for installations with wall, ceiling or pole mounting. Its internal dimensions make it suitable for a wide range of cameras and lenses. It is normally supplied with camera bracket and joint; as an option, it is possible to mount the camera power supply, the heater kit and one of the Pan & Tilt motors from the IPTS series.

#### DSBH45

Half-sphere dome. Same features and options as the full-sphere model. It does not need any bracket: it can be directly attached to the ceiling or the false ceiling.

#### DSBH24

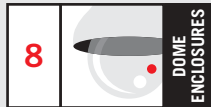
Ceiling half-sphere dustproof dome. Its internal dimensions make it suitable for CCD cameras. The half-sphere dome does not need any bracket: it can be directly attached to the ceiling or the false ceiling. It is supplied with camera bracket and joint.

DBH45+DBH01



- Camera bracket with joint included
- Indoor installation (only DBH45 outdoor)
- Optional P&T motor (DBH45/DSBH45)
- Optional heater kit (DBH45/DSBH45)

DSBH45



DSBH24

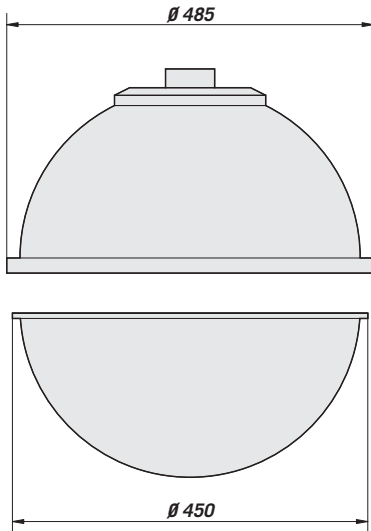
#### DOME ENCLOSURES:

<b>DBH45</b>	Full sphere dome 450 mm / 17.7 in diameter
<b>DSBH45</b>	Half sphere-dome 450 mm / 17.7 in diameter
<b>DSBH24</b>	Half sphere-dome 240 mm / 9.4 in diameter
<b>DSBH24TR</b>	Half sphere-dome with transparent plex 240 mm / 9.4 in diameter

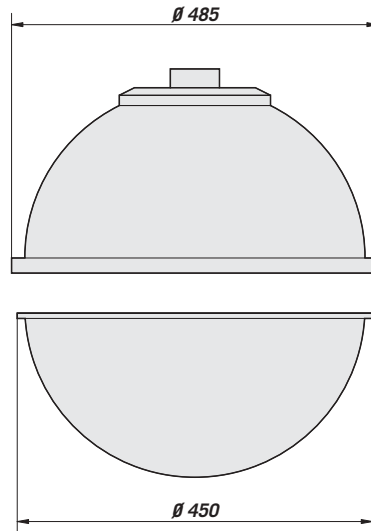
#### ACCESSORIES:

<b>OBH45H1</b>	Heater 230VAC for DBH45
<b>OBH45H2</b>	Heater 24VAC for DBH45
<b>OBH45H3</b>	Heater 12VDC for DBH45
<b>OBH45PS1</b>	Camera power supply 230VAC/12VDC for DBH45
<b>OBH45PS2</b>	Camera power supply 230VAC/24VAC for DBH45

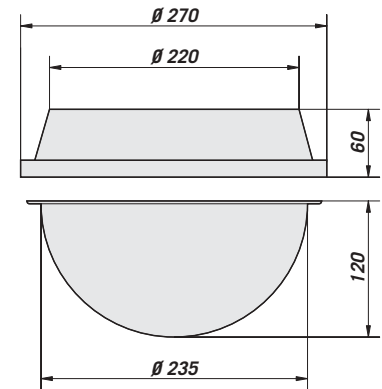
## DBH24



## DSBH45



## DSBH24



The values are in millimeters.

## TECHNICAL DATA

### GENERAL

- Upper part of full sphere and half-sphere made of black aluminium; half-sphere in semi-transparent black PMMA

### MECHANICAL

#### DBH45

- External dimensions: diameter 485 mm (19 in)

#### DSBH45

- External dimensions: diameter 535x355 mm (21x13.9 in)

#### DSBH24

- External dimensions: diameter 270x180 mm (10.6x7 in)

### ELECTRICAL

Fan-assisted heater, Ton 15°C+/-3°C (59°F) Toff 22°C +/-3°C (71°F):

**OBH45H3** Input 12VDC, consumption 24W

**OBH45H2** Input 24VAC, consumption 24W

**OBH45H1** Input 230VAC, consumption 44W

Fixed camera power supply:

**OBH45PS1** Input 230VAC, 50Hz, output 12VDC, 400mA max

**OBH45PS2** Input 230VAC, 50Hz, output 24VAC, 400mA max

### RELATED PRODUCTS

#### P&T:

**IPTS720F** P&T 230VAC, 50Hz.  
black indoor ceiling mounting for DBH24

**IPTS721F** P&T 24VAC, 50Hz  
black indoor ceiling mounting for DBH24

#### Brackets:

**DBH01** DBH45 wall mount

**DBH03** Ceiling mount for DBH45 and DBH24

### ENVIRONMENTS

- Indoor
- Indoor/outdoor (DBH45)

### COMPLIANCE TO

- IP65 EN60529
- CE according to EN50081-1, EN50082-1

### SPARE PARTS LIST

**OBH45PLEXTS** Spare transparent Plex for BH-SBH45

**OSBH24PLEXTS** Spare transparent Plex for SBH24



#### Unit Weight (kg / lb):

DBH45: 3,5 / 7.7

DSBH45: 3,5 / 7.7

DSBH24: 1 / 2.2

#### Package Weight (kg / lb):

DBH45: 6,4 / 14.1

DSBH45: 6,4 / 14.1

DSBH24: 1,6 / 3.5

#### Package Dimensions (cm / in):

DBH45: 54x54x39 / 21x21x15.3

DSBH45: 54x54x39 / 21x21x15.3

DSBH24: 31x23,5x31 / 12.2x9.2x12.2

#### Master Carton (units):

DBH45: 1

DSBH45: 1

DSBH24: 4