

NOTES	SPEC NO.	REV.	SEC.
	917	997	3

PRODUCT SPECIFICATION

MODEL: VM621 AND VM621-P

PRODUCT CODES: REFER TO TABLE 1

DESCRIPTION: 21-INCH HIGH-RESOLUTION COLOR MONITOR

- 21-inch (53 cm) screen
- 400 TV lines
- Brilliant, accurate color
- NTSC and PAL models
- Composite video and Y/C inputs
- Built-in speaker



The VM621 21-Inch High-Resolution Color Monitor is intended for use in closed-circuit television (CCTV) systems. The monitor is available in two model variations, VM621 for EIA/NTSC television system and VM621-P for CCIR/PAL television system. Horizontal resolution is 400 TV lines. Inputs are provided for standard composite video (NTSC RS-170A or CCIR/PAL, depending on monitor model) and for separate Y/C signals for playback of S-VHS tapes. Composite or S-VHS input channels are selected with a rear-panel switch. The monitor also features a built-in speaker. Controls include brightness, contrast, chroma (color saturation), phase (tint), vertical and horizontal hold, vertical and horizontal position, and vertical size.



VM621 COLOR MONITOR

Standard connectors are provided for all signal inputs: BNC connectors for composite video, miniature four-pin DIN connector for S-VHS video, and RCA connectors for audio. The monitor is housed in a steel cabinet with generous provision for air circulation to dissipate heat. The cabinet is provided with a carrying handle. A detachable power cord that plugs into a standard IEC 320 power cord connector is supplied. The fuse is housed in a fuse tray built into the IEC 320 connector for easy access without having to remove the monitor case.

**TABLE 1
MODELS, PRODUCT CODES, AND DESCRIPTIONS**

Model	Product Code	Description
VM621	5728-05	For use with EIA/NTSC systems, 120 VAC, 50/60 Hz
VM621-P	5728-08	For use with CCIR/PAL systems, 230 VAC, 50/60 Hz

CONTRACTORS' SPECIFICATION

21-INCH COLOR VIDEO MONITOR

The monitor shall be a color video monitor with a 21-in. (53 cm) picture tube. It shall have a resolution of 400 TV lines (center). Inputs shall be provided for standard composite video and for separate Y/C signals for playback of S-VHS tapes. It shall provide looping video output located on the rear panel. A looping output connector shall also be provided for audio.

Front panel controls shall include power and LED, volume control, tint (phase) control, saturation (chroma) control, contrast control, and brightness control. The monitor shall also provide a built-in speaker. A connector for a remote external speaker shall be provided. Input power shall be 120 V, 50/60 Hz. A 230 V, 50/60 Hz model shall be available. Power consumption shall be 90 W.

Dimensions shall not exceed: height, 16.75 in. (42.5 cm); width, 19.75 in. (50.2 cm); depth, 20.0 in. (50.8 cm). The weight shall not exceed 58.8 lb (26.7 kg). The EIA/NTSC monitor shall comply with FCC limits for a Class A computing device in accordance with the specifications in Part 15 of FCC rules; the CCIR/PAL monitor shall meet CE standards EN 50081-1 for generic emissions and EN 50082-1 for generic immunity. The monitor shall be Vicon Model VM621 or VM621-P.

A looping output connector (BNC) is provided for composite video, along with a switch for selecting 75-ohm or high-impedance video termination. A looping output connector (RCA) is also provided for audio.

The VM621 monitor meets requirements for an FCC class A device. The VM621-P complies with European Community

EMC Directive 89/36. The product was subjected to the testing outlined in European Normalization Standard EN50081-1 (Electromagnetic Compatibility - General Emissions Standard Part 1: Residential, Commercial and Light Industry), and EN 50082-1 (Electromagnetic Compatibility - Generic Immunity Standard Part 1: Residential, Commercial and Light Industry).

TECHNICAL INFORMATION

VIDEO

Screen Size:	21.0 in. (53 cm)
Horizontal Resolution:	Composite video: 400 TV lines. S-VHS video: 640 TV lines.
Video Input Signal:	1.0 V(140 IRE) p-p composite video, with 714 mV (100 IRE) of luminance and 286 mV (40 IRE) of sync. Color burst signal of 3.58 MHz with an amplitude of 286 mV (40 IRE).
Video Input Impedance:	Terminating: 75 ohms. Looping: high impedance.
Television System:	VM621: EIA/NTSC RS-170A. VM621-230: CCIR/PAL.
Scanning System:	NTSC: 525 lines, 60 fields/sec. PAL: 625 lines, 50 fields/sec.
Vertical Scanning Frequency:	NTSC: 60 fields/sec line-locked. 59.94 fields/sec crystal-controlled. PAL: 50 fields/sec.
Horizontal Scanning Frequency:	NTSC: 15,750 lines/sec line-locked. 15,734 lines/sec crystal-controlled. PAL: 15,625 lines/sec.
Bandwidth, NTSC and PAL:	Composite video: 5MHz (-3 dB). S-VHS video: 8 MHz (-3 dB).
Implosion Protection:	Provided.
Degaussing:	Automatic on power-up and every 60 minutes thereafter.

ELECTRICAL

Power Source:	Refer to Table 1.
Power Consumption:	90 W.
Heat Equivalent:	5.1 btu/min. (1.3 cal/min). These figures represent the conversion of 100% of the electrical energy to heat. Actual percentage of heat generated will be less and will vary from product to product. These figures are provided as an aid in determining the extent of cooling required for an installation.

Radio-Frequency Emission Rating:

FCC Class A.

European Community (CE) Standards:

EN50081-1 generic emissions.
EN50082-1 generic immunity.

CONTROLS AND CONNECTORS

Front Panel Controls:

Power ON/OFF.
Volume control.
Tint (phase) control.
Saturation (chroma) control.
Contrast control.
Brightness control.
Power LED.

Rear Panel Controls:

Video input selection switch.
Termination switch.
Horizontal phase control.
Analog-TTL switch.
PRIORITY switch.
Sync selector switch.
VERTICAL FREQUENCY (vertical hold) control.
VERTICAL AMPLITUDE (vertical size) control.
VERTICAL SHIFT (vertical position) control.
HORIZONTAL AMPLITUDE (horizontal size) control.
Fuse tray.

Connectors:

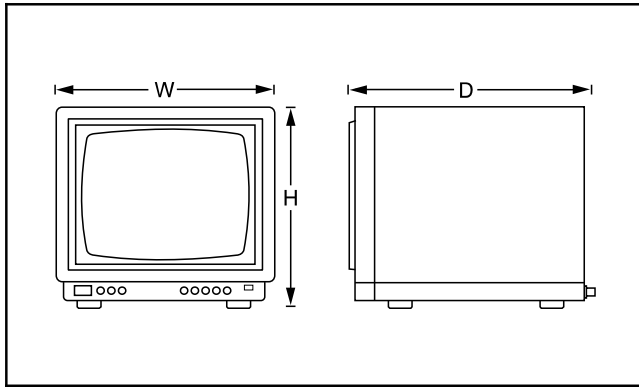
AUDIO IN connector.
AUDIO OUT connector.
S-VHS IN connector.
VIDEO IN connector.
VIDEO OUT connector.
RGB-1-HV/TTL connector.
SCART socket.
IEC 320 power cable connector.

Power Cable:

3 conductor SVT VW-1 18 AWG cable with grounding plug.

MECHANICAL

Dimensions: Height (H): 16.75in. (42.5 cm).
Width (W): 19.75in. (50.2 cm).
Depth (D): 20.0 in. (50.8 cm).



Weight: 58.8 lb (26.7 kg).

Shipping Dimensions: Height: 20.0 in. (50.8 cm).
Width: 22.5 in. (57.2 cm).
Length: 22.5in. (57.2 cm).

Shipping Weight: 65 lb (29.5 kg).

Shipping Volume: 5.9 ft³ (0.17m³).

ENVIRONMENTAL

Operating Temperature Range: 32 to 104° F(0 to 40 ° C).

Humidity: 0 to 90% relative, noncondensing.

Storage Temperature Range: -20 to 140° F(-29 to 60 ° C).

Storage Humidity: Up to 85% relative, noncondensing