



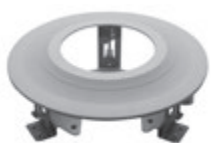
## Overview

Vicon's V988D-W311MIR HD IP Dome Camera is designed for performance in demanding security installations. The camera provides UHD (Ultra High Definition) 4K (8 MP) resolution with a 3.6-11 mm motorized varifocal lens with P-iris for improved image quality. The camera includes IR illuminators that provide superior images in low-light environments.

The V988D-W311MIR supports H.264/H.265 compression technology, significantly reducing file sizes and conserving valuable network bandwidth. M-JPEG compression is also provided. The camera provides quad streaming for multi-camera displays.

## Ordering Information

Resolution	Lens	Model Number
4K (8 MP)	3.6-11 mm motorized varifocal	V988D-W311MIR
Accessories	Description	Model Number
In-Ceiling Mounting	Kit for mounting V988D into a ceiling	V670-HCS254V
Pendant Mounting	1-1/2" NPT pipe mount adapter; converts dome for pendant mounting	V670-HDA202-1
Wall Mount	For mounting the dome to a wall	V670-HDB243
Electrical Box	For ease of cabling	V932EZ-EB
Composite Video Out Cable	For connection to a spot monitor	V800-BNC



V670-HCS254V



V670-HDA202-1



V670-HDB243



V932EZ-EB

## Product at a Glance

- ▶ 4K resolution (8 MP)
- ▶ H.264/H.265 and M-JPEG compression
- ▶ True WDR
- ▶ 28 IR LEDs (90 ft/30 m range)
- ▶ Motorized varifocal lens with P-iris
- ▶ Quad streaming
- ▶ Video Content Analysis (VCA)
- ▶ Audio and alarm input/output
- ▶ Power-over-Ethernet (PoE), 12 VDC
- ▶ Video composite out
- ▶ SD card slot for on-camera storage
- ▶ Surface mounting on wall or ceiling
- ▶ IP66/IK10

The dome camera is designed for easy installation. Power over Ethernet (IEEE 802.3af) eliminates the need for a power cable, providing a cost-effective method of installation. The camera also accepts 12 VDC. The V988D-W311MIR can be mounted on a wall or ceiling and provides 3-axis adjustment for any angle of view.

The true day/night progressive scan camera also includes a removable IR cut filter for superior image quality in all lighting conditions. True Wide Dynamic Range further improves video exposure quality in scenes with high contrast between bright and dark areas.

The camera can be used with Vicon Valerus™ as well as many other popular VMS systems; each VMS may support different camera functions.

## SPECIFICATIONS

Model	V988D-W311MIR
Image Sensor:	1/2.5-inch CMOS progressive scan sensor
Max Resolution:	4K (8 MP)
Image Settings:	Digital image effects: flip, mirror and defog. Configurable brightness, contrast, saturation, chroma, sharpness. White balance. Electronic shutter speed. Day/night mode. Dynamic Noise Reduction. Motion detection (16 programmable zones). Privacy masking (8 masks). ROI (8 regions). Digital zoom. Event notification.
Video Content Analysis:	Defog; Tampering; Intrusion; Motion Detection
Electronic Shutter Speed:	Auto (1 ~ 1/10,000 sec), manual
Day/Night Performance:	True day/night (IR cut filter)
Wide Dynamic Range	True WDR
Minimum Illumination:	Color: 0.03 lux @ f/1.5. B&W: 0 lux (IR LED On) @ f/1.5.
IR Distance:	28 LEDs; 90 ft (30 m)

## Lenses

Focal Length:	3.6-11 mm
Max. Aperture:	f/1.5
Iris:	P-iris
Zoom/Focus Adjust:	Motorized zoom and focus
Field of View:	Wide: 87°; Tele: 38° (H)

## Network Video Transmission

Network:	10Base-T, 100Base-TX, RJ-45
Image Compression:	H.264; H.265; M-JPEG
Resolution:	3840x2160, 3072x2048, 2592x1944/1520, 2560x1440, 1920x1080 (1080P), 1440x1080, 1280x1024/720, 1024x768, 800x600/480, 720x576/480, 704x480/576 (D1), 640x480 (VGA), 352x288/256/240, 320x240 (QVGA)
Protocol:	IPv4/IPv6, TCP/IP, HTTP, HTTPS, RTSP, RTP, DHCP, FTP, UDP, ARP, QoS, Zeroconf, Bonjour
Frame Rate:	30 fps max.
Streams:	Quad streams: H.264/H.265 - 3; M-JPEG - 1
Users:	10 users Live; 3 users Playback
Alarm:	1 input/1 output
Audio	2 way audio, 1 input/1 output; G.711
Web Browser:	Internet Explorer®, Chrome®, Safari®, Firefox®
Security:	Multi-user authority, IP address filtering, HTTPS encrypted video & data transmission, SSL

## Mechanical and Electrical

Construction:	Aluminum base; polycarbonate clear dome; tamperproof screws
Camera Angle of Adjustment:	3-axis camera adjustment, pan 360°, tilt 90° and roll 360° (azimuth)
Mounting:	Surface mount, wall or ceiling
Dimensions:	5.7 in. (144 mm) (Diam) x 3.9 in. (99 mm) (H)
Weight:	1.7 lb (0.79 kg)

Data Sheet Number: V305-00-02  
Vicon Data Sheet Number: 8009-7305-00-02

Dated: 3/2019  
Specifications subject to change without notice.  
Vicon and its logo are registered trademarks of Vicon Industries Inc.  
Copyright © 2019 Vicon Industries Inc. All rights reserved.

Explorer is a registered trademark of Microsoft Corporation.  
Chrome is a registered trademark of Google LLC.  
Firefox is a registered trademark of Mozilla Corp.  
Safari is a registered trademark of Apple Inc.



## SPECIFICATIONS

### Electrical

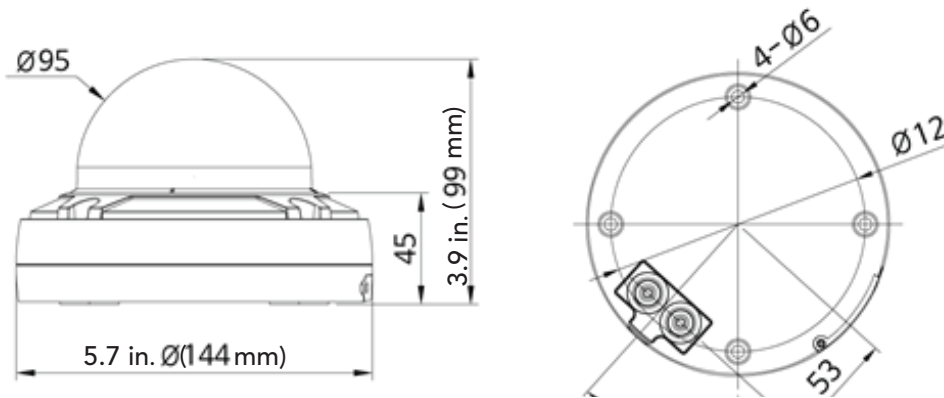
Input Power:	PoE IEEE 802.3af, 12 VDC
Current (IR on):	200 mA @PoE, 690 mA @12 VDC
Power Consumption (IR on):	9.6 W @PoE, 8.3 W @12 VDC

### Controls and Connectors

Connectors:	Power: standard jack for adapter; PoE/Network: RJ-45 CAT 5; Alarm Input/Output: terminal block; Audio Input/Output: terminal block; Micro SD card slot; Composite Out
-------------	---

### Environmental

Operating Conditions:	Outdoor Temp: -4 to 122° F (-20 to 50° C) Humidity: up to 90%, non-condensing
Approvals:	FCC Class A, CE, IP66, IK10
Warranty:	3 years



Dimension Drawings