

V960D Series Network Vandal-Resistant Camera Dome



Overview

Vicon's V960D Series of HD IP Camera Domes is designed for demanding security installations. It offers a number of fixed network camera versions that deliver crisp clear images to fit any installation need. Each version type (1080p, 720p and VGA resolution) is offered with a choice of 3.3-12 mm, 3.3-12 mm motorized or 9-22 mm motorized lens. The motorized lenses permit remote focus and zoom using the web browser interface.

The V960D Series provides dual-streaming video and supports H.264 compression technology, drastically reducing file sizes and conserving valuable network bandwidth. Users can receive multiple streams simultaneously in different resolutions, frame rates and image qualities for viewing on different platforms.



- 1080p, 720p and VGA resolution models
- True day/night camera with a choice of built-in varifocal lenses, including remotely adjustable motorized lenses
- H.264 high-profile and M-JPEG compression
- 0.11 lux low light capabilities @ 30 IRE
- Power-over-Ethernet (IEEE 802.3af), 24 VAC or 12 VDC
- Dual streaming video
- IP66 rated; heater and fan provide all-weather protection

Installation of the V960D is made easy and cost effective with Power over Ethernet (IEEE 802.3af), which eliminates the need for power cables. The camera also accepts 12 VDC and 24 VAC.

In order to adapt to constantly changing outdoor lighting conditions, the V960D features an autoiris varifocal lens to protect from damage induced by direct sunlight. The true day/night camera also includes a removable IR-cut filter for superior image quality around the clock. For protection against the elements, the camera dome is IP66-rated with a vandal-proof casing to withstand rain, dust, and vandalism. The heater (PoE/24 VAC only) and fan further enhance the dome's performance and reliability in extremely weather conditions. The camera dome provides 3-axis adjustment for any angle of view.

Model	V960D-WN312 Series	V961D-WN312 Series	V962D-WN312 Series
Image Sensor:	1/2.5-inch progressive scan CMOS		
Max Resolution:	VGA	720p	1080p
Image Settings:	Adjustable bit rate. Flip and mirror. Configurable brightness, contrast, color, hue, sharpness. White balance. AGC. AES. Automatic or manual day/night mode. BLC (Backlight Compensation). Digital zoom. Motion detection. Slow Shutter.		
Shutter Speed:	1/4, 1/10, 1/12.5, 1/15, 1/20, 1/25, 1/30, 1/50, 1/60, 1/100, 1/120, 1/240, 1/480, 1/960, 1/1024, 1/2000 sec		
Electronic Zoom:	3 ~ 30X (client software)		
Day/Night Performance:	IR cut filter, True Day/Night		
S/N Ratio:	Greater than 50 dB		
Minimum Illumination:	Color: 0.12 fc (1.25 lux); B/W: 0.014 fc (0.15 lux), slow shutter On; @f/1.6, 30 IRE	Color: 0.09 fc (0.96 lux); B/W: 0.01 fc (0.11 lux), slow shutter On; @f/1.4, 30 IRE	

Lenses

Focal Length :	3.3-12 mm or 9-22 mm		
Max. Aperture:	f/1.6		
Iris:	DC iris		
Remote Zoom/Focus	Yes (M models)		
Horizontal Field of View:	3.3-12 mm: 23.1° - 86.1° 9-22 mm: 12.6° - 30.9°	3.3-12 mm: 21° - 112.6° 9-22 mm: 11.5° - 38.8°	3.3-12 mm: 21° - 76.6° 9-22 mm: 11.5° - 27.8°

Network Video Transmission

Network:	10Base-T, 100Base-TX, RJ-45		
Image Compression:	H.264 (Main Profile); M-JPEG available for 2nd stream		
Resolution:	640x480, 320x240	1280x720, 1280x720 (Wide), 1280x1024, 1024x768, 640x480, 320x240	1920x1080, 1280x720, 1280x720 (Wide), 1280x1024, 1024x768, 640x480, 320x240
Protocol:	IPv4, IPv6, TCP, HTTP, HTTPS, UPnP, RTSP/RTP/RTCP, IGMP, SMTP, DHCP, NTP, DNS, DDNS, UDP, ARP		
Frame Rate:	2.5 ~ 30 fps (2.1 ~ 25 fps, PAL)		
Users:	Live viewing for up to 10 clients		
Web Browser:	Internet Explorer® 7.0 and above, Firefox®		
Security:	IP address filtering, HTTPS encrypted data transmission, password protection		

Mechanical and Electrical

Construction:	Diecast aluminum base; polycarbonate clear dome		
Camera Angle of Adjustment:	3-axis adjustment, pan, tilt and roll (azimuth). 360° pan; 90° tilt; 360° rotation		
Mounting:	Surface mount. See accessories table for mounting options		
Dimensions:	5.7 in. (145 mm) (Diam) x 4.6 in. (116.3 mm) (H), 3.9 in. (100 mm) (Dome Diam)		
Weight:	2.3 lb (1.06 kg)		
Input Power:	12 VDC, 24 VAC, PoE (IEEE 802.3af Class 0)		
Current (MFZ Off/On):	12 VDC: 375 mA; 24 VAC: 192mA; PoE: 100 mA	12 VDC: 410 mA/595 mA; 24 VAC: 208 mA/283 mA; PoE: 140 mA	12 VDC: 425 mA/620 mA; 24 VAC: 213 mA/292 mA; PoE: 140 mA
Power Consumption (with heater, MFZ Off/On):	12 VDC: 4.5 W; 24 VAC: 4.6 W	12 VDC: 4.9 W/7.1 W; 24 VAC: 5.0 W/6.8 W	12 VDC: 5.1 W/7.4 W; 24 VAC: 5.1 W/7.0 W

Environmental

Operating Conditions:	Temp: -20 to 122° F (-29 to 50° C) with heater; Humidity: less than 90%, non-condensing		
Approvals:	FCC Class A, CE, IP66		
Warranty:	3 years		

Data Sheet Number: V224-01-01

Dated: 3/2011

Vicon Data Sheet Number: 8009-7224-01-01

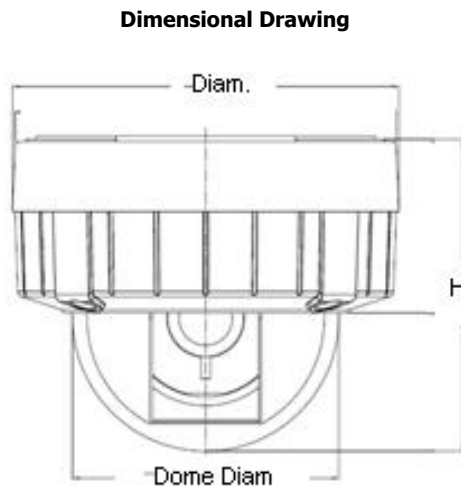
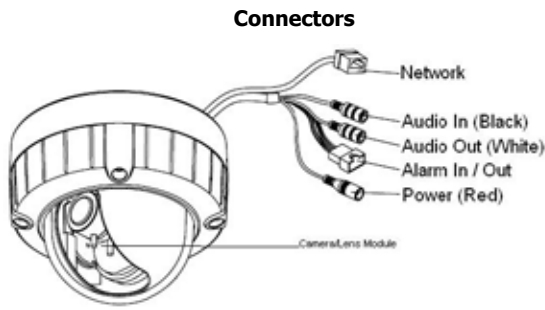
Specifications subject to change without notice.

Vicon, ViconNet and their logos are registered trademarks of Vicon Industries Inc.

Internet Explorer is a registered trademark of Microsoft Corporation; Chrome is a registered

trademark of Google; Firefox is a registered trademark of Mozilla Corp.

Copyright © 2011 Vicon Industries Inc. All rights reserved.



Controls and Connectors

- External Controls:** LED: status. Reset Button: sets factory defaults. Focus, Zoom: control knobs on non-motorized lens versions.
- Connectors:** Power: 12 VDC/24 VAC: RCA jack; PoE/Network: RJ-45 CAT 5. Alarm In/Out: AMP. Audio In and Out: jack. (Audio Out is not supported by ViconNet). Local Storage: Micro SD card slot.

Resolution	Lens	Model Number
VGA resolution	3.3 - 12 mm autoiris varifocal lens	V960D-WN312
	3.3 - 12 mm remote zoom and focus	V960D-WN312M
	9 - 22 mm remote zoom and focus	V960D-WN922M
720p resolution (1.3 megapixel)	3.3 - 12 mm autoiris varifocal lens	V961D-WN312
	3.3 - 12 mm remote zoom and focus	V961D-WN312M
	9 - 22 mm remote zoom and focus	V961D-WN922M
1080p resolution (2 megapixel)	3.3 - 12 mm autoiris varifocal lens	V962D-WN312
	3.3 - 12 mm remote zoom and focus	V962D-WN312M
	9 - 22 mm remote zoom and focus	V962D-WN922M

Models

Description	Model Number
Electrical box mounting adapter (4x4 and 4x2)	V960D-WADAPT
Conduit adapter	V960D-CA1
Wall mount (requires V960D-CA1)	V960D-WM
Surge Protectors	Refer to datasheet

Mounting Accessories