



PRODUCT SPECIFICATION

MODEL: V9315H SERIES

PRODUCT CODE: REFER TO TABLE 1

DESCRIPTION: ENVIRONMENTAL HOUSING

- Several configurations available for any need
- Weatherproof
- Sunshield included
- Side opening for easy serviceability
- Lockable

Model V9315H Series of compact, weatherproof housings is designed for smaller outdoor CCTV applications. Two side-latches provide easy access, and a weatherproof seal protects the camera/lens assembly from moisture. A latch with a loop is provided for a padlock, if required. The V9315H accommodates CCTV camera and zoom lens combinations of up to 13.0 inches (33 cm) in length.

The V9315H is available in seven versions that differ in internal features and input voltage. Refer to Table 1. All versions of the housing include a protective sunshield. The V9315HC-S is created specifically for those installations that do not require a heater. This version does include a factory-installed 120 VAC to 24 VAC camera transformer. The V9315HC-HS includes the transformer plus a 120 VAC heater. The V9315H-HS-24 includes the sunshield and 24 VAC heater. The V9315HC-HS-230 includes a transformer and a 230 VAC heater. Model V9315HC-WH includes a transformer and a 120 VAC wiper and heater. Model V9315HC-WH-230 includes a transformer and a 230 VAC wiper and heater. Model V9315H-WH-24 includes a 24 VAC wiper and heater. Additionally, two heater options are available for those installations where the V9315HC-S was installed and heaters were later required. See Associated Equipment and Accessories.

NOTES	SPEC NO.	REV.	SEC.
SUPERSEDES PRODUCT SPECIFICATION 486-1097	486	499	6



V9315H HOUSING

TABLE 1
MODELS AND PRODUCT CODES

Model Number	Product Code	Description
V9315HC-S	6074	Includes sunshield and 24 VAC transformer. (120 VAC input.)
V9315HC-HS	6075	Includes sunshield, 120 VAC heaters, and 24 VAC transformer
V9315HC-HS-230	6075-01	Includes sunshield and 24 VAC heaters
V9315H-HS-24	6075-02	Includes sunshield and 24 VAC heaters
V9315HC-WH	6078	Includes sunshield, 120 VAC wiper and heater and 24 VAC transformer
V9315HC-WH-230	6078-01	Includes sunshield, 230 VAC wiper and heater and 24 VAC transformer
V9315H-WH-24	6078-02	Includes sunshield and 24 VAC wiper and heater

CONTRACTORS' SPECIFICATION

INDOOR/OUTDOOR HOUSING

The housing shall be an environmental camera enclosure offering weather protection to CCTV camera/lens combinations up to 13 inches (33 cm) long. The unit shall have a sunshield that shall provide protection against UV radiation and corrosion and a latch with a loop for a padlock as standard. Seven versions shall be available; one shall include a 24 VAC camera transformer (120 VAC input), a second shall include a 24 VAC transformer and a 120 VAC heater, and a third shall include a 24 VAC heater; a fourth shall include a 230 VAC heater and a 24 VAC transformer; a fifth shall include a 120 VAC wiper and heater and a 24 VAC transformer; a sixth shall include a 24 VAC wiper and heater; and a seventh shall include a 230 VAC wiper and heater and a 24 VAC transformer. A heater option shall be available. The housing and sunshield shall be constructed of heavy-duty aluminum and the window shall be glass for transparency. Two side latches shall be provided. Rainproof elastomer seals and gaskets shall provide protection to the camera/lens assembly. The housing shall withstand winds up to 80 mph (130 kph). Exterior dimensions shall not exceed: height, 5.75 in. (14.6 cm); width, 6.75 in. (17.1 cm); and length, 19.5 in. (49.5 cm). The environmental housing shall be Vicon Models V9315HC-S, V9315HC-HS, V9315H-HS-24, V9315HC-HS-230, V9315HC-WH, V9315HC-WH-24 and V9315HC-WH-230.

Product specifications subject to change without notice.
Copyright © 1999 Vicon Industries Inc. All rights reserved.

Vicon part number 8006-7486-02-00
Vicon and its logo are registered trademarks of Vicon Industries Inc.

The housing with heaters are equipped with two resistor-type heaters, totalling 50 watts of heating power. A thermostat automatically turns the heaters on when the temperature drops to 68°F (20°C) and turns them off when the temperature rises above 80°F (27°C). One of the heaters is mounted directly under the window and keeps the viewing window clear. The V9315H withstands winds of up to 80 mph with outside temperature ranging from -30 to 120°F (-35 to 49°C).

The V9315H housing and protective sunshield are constructed from heavy-duty aluminum with a light-gray finish. The sunshield provides long-term protection from UV radiation and corrosion. The viewing window is made of glass for long

lasting transparency. All materials are corrosion-resistant or stainless steel hardware.

ASSOCIATED EQUIPMENT AND ACCESSORIES

Models V8315H-H and V8315H-H-24 Heater Assemblies: Two resistor-type heaters for the V9315HC-S. Offer a total of 50 W of heating power. Thermostat automatically turns on when temperature drops to 68F (20C) and turns off when the temperature rises above 80F (27C), 120 VAC and 24 VAC, respectively. Product codes 4749-00 and 4749-02, respectively.

TECHNICAL INFORMATION

ELECTRICAL

- Input Voltage:** Refer to Table 2.
- Transformer:** A 24-VAC transformer is provided for camera power in 120 and 230 VAC units.
- Connector:** Screw terminal strip supplied for connections to AC line.
- Power Consumption:** Refer to Table 2.

OPTICAL

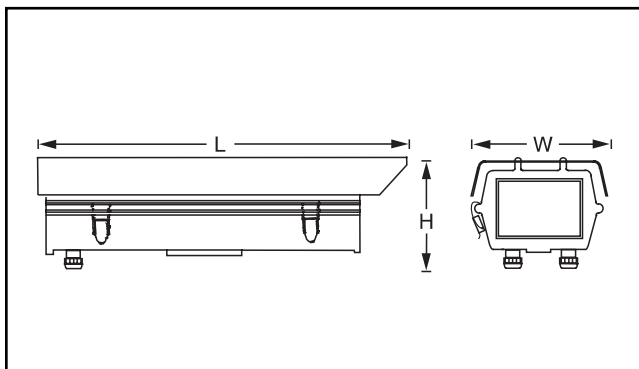
- Light Loss through Window:** Negligible

OPERATIONAL

- Horizontal Adjustment:** Adjustable camera platform.

MECHANICAL

- External Dimensions:** Length: 19.5 in. (49.5 cm).
Width: 6.75 in. (17.1 cm).
Height: 5.75 in. (14.6 cm).



- Maximum Camera/Lens Dimensions:** Fits camera/lens combinations of up to 13 in. (33 cm) long, 3.0 in. (7.6 cm) high, and 4.25 in. (10.8 cm) wide.

Lens Mounting Plate

- Heater Clearance:** 0.25 in. (0.64 cm).

- Weight:** Approximately 6.5 lb (2.9 kg).
Wiper units: approximately 8.75 lb (4 kg).

- Construction:** End Caps: Plastic, light gray.
Housing: aluminum, painted light gray.
Window: 0.125 in. (0.32 cm) thick lime glass.

- Clear Window Area:** 4.0 in. (W) x 2.9 in. (H) (10.2 cm x 7.4 cm).

- Cable Access:** Two liquid tight compression fittings located at bottom of rear base.

- Camera Access:** Two latches on left side of housing.

- Housing Mounting:** Seven 1/4-20 tapped holes provided on bottom for mounting and balancing (two screws must be used). Adjustable fore and aft. See Figure 1.

- Shipping Dimensions:** Height: 8.25 in. (21.0 cm)
Width: 9.75 in. (24.8 cm)
Length: 22.1 in. (56.1 cm).

- Shipping Weight:** 8.5 lb (3.6 kg).
Wiper units: 10.75 lb (4.9 kg).

- Shipping Volume:** 1.03 ft³ (0.03 m³).

ENVIRONMENTAL

- Operating Temperature Range:** -30 to 120°F (-35 to 49°C).

- Storage Temperature Range:** -40 to 150°F (-40 to 65°C).

- Storage Humidity:** Up to 90% relative, noncondensing.

Moisture: Rainproof elastomer seals and gaskets.

NEMA Standard: 4. (Based on engineering evaluation and test. Not tested independently.)

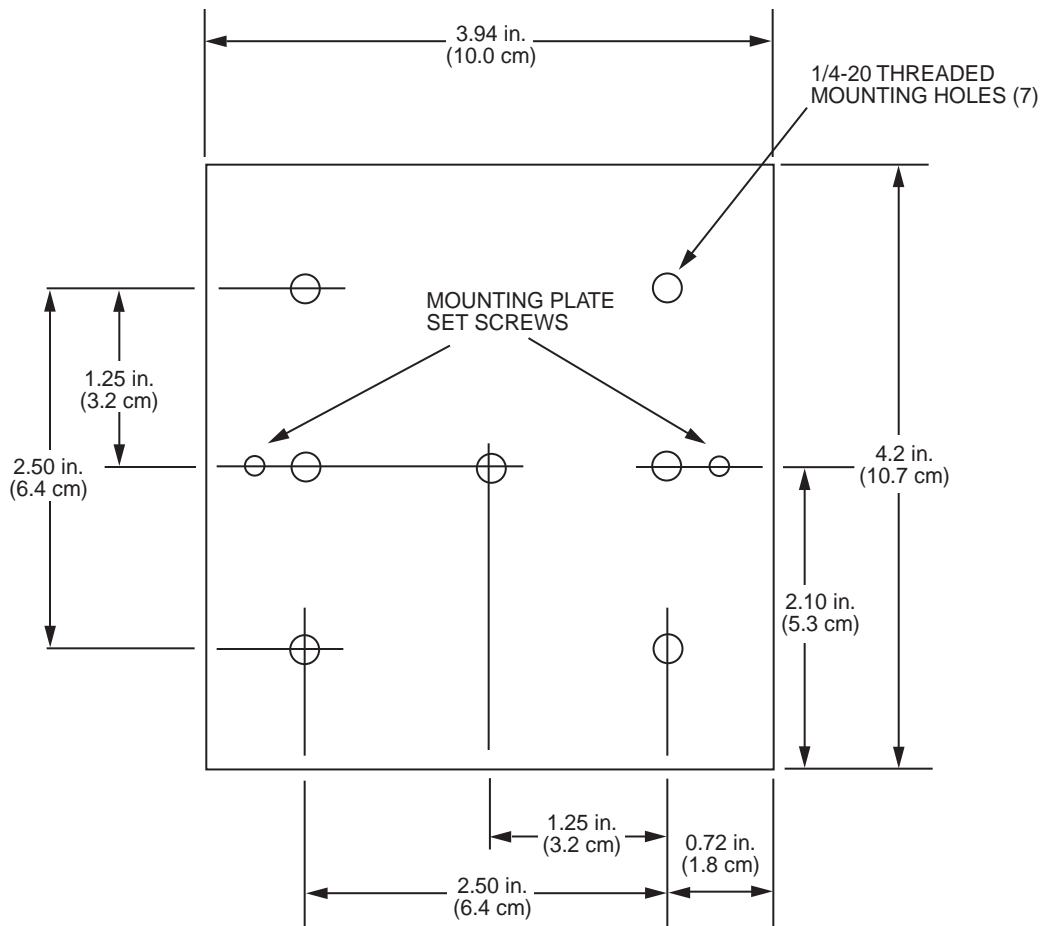
Wind Resistance: Up to 80 mph (130 kph).

CE Standard: IP65 (weep holes plugged). (Based on engineering evaluation and test. Not tested independently.)

**TABLE 2
HEATER POWER SPECIFICATIONS**

Model	Input Voltage VAC	Current A	Power Consumption VA	W	Heat Equivalent** btu/min (cal/min)
V9315HC-HS, V8315H-H	120	0.42	50		2.8 (0.7)
V9315HC-WH	120	0.44	53		3.0 (0.76)
V9315H-HS-24, V8315H-H-24	24	2.08	50		2.8 (0.7)
V9315H-WH-24	24	2.2	53		3.0 (0.76)
V9315HC-HS-230	230	0.22	50		2.8 (0.7)
V9315HC-WH-230	230	0.23	53		3.0 (0.76)

****NOTE:** The heat equivalent represents the conversion of 100% of the electrical energy to heat. The actual percentage of heat generated will be less and will vary from product to product. These figures are provided as an aid in determining the extent of cooling required for an installation.



**Figure 1
Mounting Diagram**