

V922D ME SERIES (EMEA) NETWORK ROUGHNECK CAMERA DOME



Product at a Glance

- ▶ 1920x1080 resolution 60 fps
- ▶ 120 dB WDR
- ▶ IR LEDs (25m Range)
- ▶ 3-9mm Lens (Manual or Motorized focus and zoom)
- ▶ -10 to 60° C operating temperature range
- ▶ Video Analytics
- ▶ Power-over-Ethernet (IEEE 802.3af) or 12 VDC
- ▶ 1080P 30 fps Live Stream 1 and 1080P 12 fps Stream 2 for recording (MOI standard)
- ▶ Two-way audio
- ▶ Analogue Composite Video Out
- ▶ Micro SD card slot for on-camera storage
- ▶ Rugged construction for harsh indoor or outdoor environments, IP66 rated;
- ▶ IK10 rated for impact protection
- ▶ Surface mounting on wall or ceiling; pendant and in-ceiling mounting options
- ▶ Designed specifically to meet MOI approval

Overview

Vicon's Roughneck® V922 ME Series of HD IP Camera Domes is designed to meet the requirements for the Middle East. The 1080P megapixel camera offers 120 dB Wide Dynamic Range (WDR) and IR illuminators. There are models with a manual or motorized varifocal autoiris lens.

The V922D ME Series provides triple-streaming video and supports H.264 compression technology, drastically reducing file sizes and conserving valuable network bandwidth. Users can receive multiple streams simultaneously in different resolutions, frame rates and image qualities for viewing on different platforms. MPEG-4 and M-JPEG compression are also provided. The camera can generate two streams at full 1080P resolution (30 fps and 15 fps) and a third stream at 720P resolution for multi-camera displays.

The camera dome is designed for easy installation and consumes less than 8W. Power over Ethernet (IEEE 802.3af) eliminates the need for power cables, providing a cost-effective method of installation. The camera also accepts 12 VDC. The V920D can be mounted on a wall, ceiling or standard 4 x 4 electrical box. With an adapter, it can also be pendant mounted on a wall

mount or in-ceiling. The camera position is adjustable to any view required. Additionally, a composite output is provided for installation using a spot monitor (NTSC/PAL selectable).

In order to adapt to constantly changing outdoor lighting conditions, the V922D series features an autoiris lens to protect from damage induced by direct sunlight. The true day/night progressive scan camera also includes a removable IR cut filter for superior image quality around the clock. Wide Dynamic Range (120 dB) further improves video exposure quality in scenes with high contrast between bright and dark areas.

For protection against the elements, the camera dome is IP66 rated with a vandal-proof casing to withstand rain, dust, and vandalism; it is secured by tamperproof screws. The camera dome provides 3-axis adjustment for any angle of view.

SPECIFICATIONS

Model	V922D-W39IR-ME V922D-W39MIR-ME
Image Sensor:	1/2.8-inch progressive scan SONY Exmor CMOS Sensor
Max Resolution:	1920 x 1080 (1080p)
Image Settings:	Dynamic adjustable bit rate. Digital image effects: horizontal and vertical flip. Configurable brightness, contrast, saturation, hue, sharpness. White balance. Digital zoom. Gain control. Electronic shutter speed. Day/night mode. BLC (Backlight Compensation). Dynamic Noise Reduction (2D and 3D). Motion detection (16 programmable zones). Sense-Up. Privacy masking (8 zones). Event notification.
Video Analytics	DIS, Defog, Face detection, Tampering, Line detector, Field Detector
Electronic Shutter Speed:	Auto (10 ~ 1/10,000 sec), manual
Digital Zoom:	1 ~ 10X (client software)
Day/Night Performance:	True day/night (IR cut filter)
Wide Dynamic Range	120 dB
Minimum Illumination:	Colour: 0.4 lux, B/W: 0.02 lux @f/1.2, 50 IRE IR Colour: 0.2 lux, IR BW: 0.0 lux, IR On @f/1.2, 50 IRE
IR Distance (IR models only):	82 ft (25 m) (with 24 IR LEDs)

Lenses

Focal Length:	3-9 mm (3X zoom)
Max. Aperture:	f/1.2
Iris:	Autoiris
Zoom/Focus Adjust:	Screw lever adjustable (manual units) or motorized focus and zoom (M model)
Field of View:	Horizontal: 100° - 40° Vertical: 75° - 26°

Network Video Transmission

Network:	10Base-T, 100Base-TX, RJ-45
Image Compression:	H.264; MPEG-4; M-JPEG
Resolution:	1920x1080 (1080P), 1280x1024, 1280x720/960 (720P), 1024x768, 704x480/576 (D1), 640x480/360 (VGA), 320x240 (QVGA)
Protocol:	IPv4/IPv6, TCP/IP, HTTP, HTTPS, RTSP, RTCP, RTP, SMTP, DHCP, NTP, FTP, DDNS, UDP, SNMP, uPnP, ARP, QoS, Zeroconf, Bonjour
Frame Rate:	Max 60 fps at 1920x1080
Streams:	Dual (60 fps: H.264x1 and MJPEGx1) or Triple streaming (30fps: H.264x2 and MJPEGx1)
Users:	Live viewing for up to 10 clients and 3 Users playback
Web Browser:	Internet Explorer®, Safari®, Firefox®, Google Chrome®, Opera®
Security:	IP address filtering, HTTPS encrypted data transmission, SSL, password protection
Audio Streaming	G.711 codec, 64kbps bit rate
Audio Alert	User-defined 3 audio files

Mechanical and Electrical

Construction:	Die-cast aluminum base; polycarbonate plastic clear dome; tamperproof screws
Camera Angle of Adjustment:	3-axis adjustment, pan, tilt and roll (azimuth): 355° pan; 70° tilt; 355° rotation
Mounting:	Surface mount. Mounting accessories available for pendant/wall and in-ceiling.
Dimensions:	6.06 in. (154 mm) (Diam) x 5.0 in. (127.4 mm) (H), 4.3 in. (110 mm) (Dome Diam)
Weight:	2.5 lb (1.1 kg)

Data Sheet Number: V258-01-02
Vicon Data Sheet Number: 8009-7258-01-02

Explorer is a registered trademark of Microsoft; Safari is a registered trademark of Apple Inc; Chrome is a registered trademark of Google; Firefox is a registered trademark of Mozilla Corp.; Opera is a registered trademark of Opera Software.

Dated: 07/2016
Specifications subject to change without notice.
Vicon, Roughneck and their logos are registered trademarks of Vicon Industries Inc.
Copyright © 2016 Vicon Industries Inc. All rights reserved.

SPECIFICATIONS

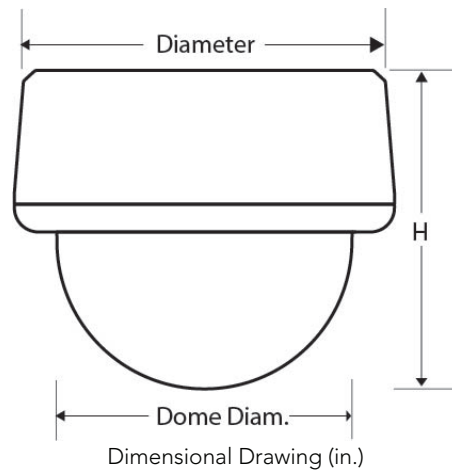
Input Power:	12 VDC, PoE IEEE 802.3af Class 0
Current (IR on):	12 VDC: 690 mA; PoE: 200 mA, max.
Power Consumption (IR on):	12 VDC: 8.3 W; PoE: 9.7 W, max.
Storage:	Slot for Micro SD card on camera (card not supplied)

Controls and Connectors

External Controls:	Focus, Zoom: control levers on non-motorized lens versions
Connectors:	Power: 12 VDC: screw terminal; PoE/Network: RJ-45 CAT 5. Alarm In/Out: screw terminal. Audio In and Out: 3.5mm jack (Audio Out requires external amplifier). Local Storage: Micro SD card slot. Composite output (3.5mm stereo jack) provided for installation (NTSC/PAL selectable).

Environmental

Operating Conditions:	Temp: -10 to 60° C Humidity: up to 90%, non-condensing
Approvals:	UL, FCC Class A, CE, IP66, IK10
Warranty:	3 years



Ordering Information

Resolution	Lens	Model Number
1080p resolution (2 MP)	3- 9 mm autoiris varifocal lens	V922D-W39IR-ME
	3 - 9 mm motorized zoom and focus lens	V922D-W39MIR-ME



V920D-PH



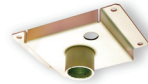
SVFT-WM



SVFT-UWM



SVFT-URM-1



SVFT-UCM



V20B-A



V24CMB

Mounting Accessories

Model Number	Description
V920-PH	Pendant housing used to convert V920D to pendant mounting; it can then be used with a variety of wall mounts
V920D-ICD	In-ceiling mounting kit for dropped ceiling
V920D-ICH	In-ceiling mounting kit for hard ceiling
SVFT-WM	Wall Arm (Short)
SVFT-UWM	Wall Arm (Long)
V20B-A	Pole Mount adapter
SVFT-URM-1	Roof Mount
V24CMB	Corner Mount bracket

Cable Adapters

Model Number	Description
V920D-OSD	OSD controller; for making changes from the OSD on the V920D series camera domes
V920D-AUDIO	Audio jack cable assembly; used for audio in (mic)/audio out (speaker) on the V920D camera series