

V920B SERIES NETWORK BULLET CAMERA



Overview

Vicon's V920B Series of HD IP Bullet Cameras is designed for performance in the most demanding security installations. The megapixel camera series offers a number of fixed network camera versions that deliver crisp clear images to fit any installation need. The V920B series offers models with 3 MP, 2 MP/1080p and 1.3 MP/720p resolutions. They include a motorized varifocal autoiris lens and IR illuminators; WDR is provided on the 3 MP version. Refer to the table for a list of models.

The V920B Series provides triple-streaming video and supports H.264 compression technology, drastically reducing file sizes and conserving valuable network bandwidth. Users can receive multiple streams simultaneously in different resolutions, frame rates and image qualities for viewing on different platforms. MPEG-4 and M-JPEG compression are also provided.

The bullet camera is designed for easy installation. Power over Ethernet (IEEE 802.3af) eliminates the need for power cables, providing a cost-effective method of installation. The camera also accepts 12 VDC. The V920B



- 3 MP, 2 MP/1080p and 1.3 MP/720p resolution models
- True day/night camera with a built-in varifocal autoiris lens and IR illuminators; WDR in 3 MP version
- H.264 high-profile, MPEG-4 and M-JPEG compression
- ONVIF interface provides interoperability with open platform solutions
- Power-over-Ethernet (IEEE 802.3af) or 12 VDC
- Triple streaming video
- SD card slot for on-camera storage
- Rugged construction for harsh indoor or outdoor environments, IP67 rated; heater provides all-weather protection
- Integral wall mount

has an integral mount that allows it to be mounted on a wall. The camera position is adjustable to any view required. Additionally, a composite output is provided for installation using a spot monitor (NTSC/PAL selectable).

In order to adapt to constantly changing outdoor lighting conditions, the V920B series features an autoiris lens to protect from damage induced by direct sunlight. The true day/night camera also includes a removable IR cut filter for superior image quality around the clock. The 3 MP model with Wide Dynamic Range (WDR) further improve video exposure quality in scenes with high contrast between bright and dark areas.

For protection against the elements, the camera dome is IP67 rated with a vandal-proof casing to withstand rain, dust, and vandalism; it is secured by tamperproof screws. The heater further enhances the dome's performance and reliability in extremely weather conditions (12 VDC only). The camera can be adjusted for angle of view.

Model	V921B-IR39M	V922B-IR39M	V923B-IR39M
Image Sensor:	1/2.8-inch progressive scan RGB CMOS		
Max Resolution:	1.3 MP/720p	2 MP/1080p	3 MP
Image Settings:	Dynamic adjustable bit rate. Digital image effects: horizontal and vertical flip. Configurable brightness, contrast, saturation, hue, sharpness. White balance. Digital zoom. Gain control. Electronic shutter speed. Day/night mode. BLC (Backlight Compensation). Dynamic Noise Reduction (2D). Motion detection. Privacy masking. Event notification. Digital WDR on 3 MP model.		
Electronic Shutter Speed:	1/4 ~ 1/20,000		
Digital Zoom:	1 ~ 10X (client software)		
Day/Night Performance:	True day/night (IR cut filter)		
Minimum Illumination:	IR Color: 0.2 lux; IR BW: 0.0 fc/lux, IR On @f/1.2, 50 IRE		
IR Distance:	82 ft (25 m) (with 32 IR LEDs)		

Lenses

Focal Length:	3-9 mm (3X zoom)		
Max. Aperture:	f/1.2		
Iris:	Autoiris		
Zoom/Focus Adjust:	Motorized focus and zoom		
Horizontal Field of View:	3-9 mm: 93° - 31.7°	3-9 mm: 93° - 31.7°	3-9 mm: 99° - 33.5°

Network Video Transmission

Network:	10Base-T, 100Base-TX, RJ-45		
Image Compression:	H.264; MPEG-4; M-JPEG		
Resolution:	1280x1024 (1.3 MP), 1280x720 (720P), 704x480/576 (D1), 352x240/288 (CIF), 640x480 (VGA), 320x240 (QVGA)	1920x1080 (1080P), 1280x720 (720P), 704x480/576 (D1), 352x240/288 (CIF), 640x480 (VGA), 320x240 (QVGA)	2048x1536 (3 MP); 1920x1080 (1080P), 1280x720 (720P), 704x480/576 (D1), 352x240/288 (CIF), 640x480 (VGA), 320x240 (QVGA)
Protocol:	IPv4/IPv6, TCP/IP, HTTP, HTTPS, RTSP, RTCP, RTP, SMTP, DHCP, NTP, FTP, DDNS, UDP, SNMP, uPnP, ARP, QoS, Zeroconf, Bonjour, Manual		
Frame Rate:	30 fps (25 fps, PAL). Refer to Frame Rate and Resolution Performance sheet for details.	20 fps @ 2048x1536 (3 MP capture mode); 30 fps in all other resolutions (full HD capture mode)	
Streams:	Triple streaming		
Users:	Live viewing for up to 10 clients		
Web Browser:	Internet Explorer®; Safari®, Firefox®, Google Chrome®, Opera®		
Security:	IP address filtering, HTTPS encrypted data transmission, SSL, password protection		

Mechanical and Electrical

Construction:	Die-cast aluminum base; polycarbonate plastic clear dome; tamperproof screws		
Camera Angle of Adjustment:	Pan and tilt adjustment		
Mounting:	Integral mount for surface mounting		
Dimensions:	3.9 in. (98.4 mm) (W) x 6.9 in. (177.5 mm) (H), 11.4 in. (290.4 mm) (D), including sunshield and mount; refer to dimension drawing		
Weight:	2.5 lb (1.1 kg), including sunshield and mount		

Data Sheet Number: V271-00-00 Dated: 11/2014
 Vicon Data Sheet Number: 8009-7271-00-00
 Specifications subject to change without notice.
 Copyright © 2014 Vicon Industries Inc. All rights reserved.

Viconk and its logo is a registered trademark of Vicon Industries Inc.
 Explorer is a registered trademark of Microsoft; Safari is a registered trademark of Apple Inc;
 Chrome is a registered trademark of Google; Firefox is a registered trademark of Mozilla
 Corp.; Opera is a registered trademark of Opera Software.

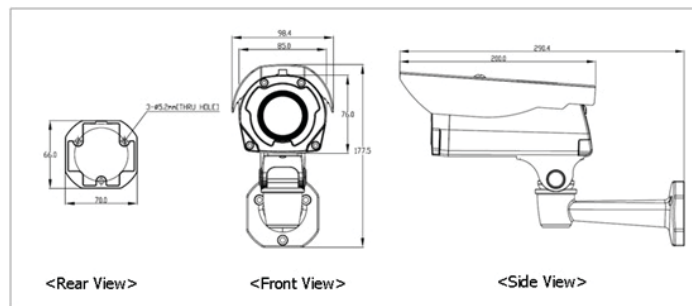
Input Power:	12 VDC, PoE IEEE 802.3af Class 0
Current (IR on):	Heater off: 12 VDC: 0.32 A; PoE: 80 mA, max. Heater on: 12 VDC: 2 A max.
Power Consumption (IR on):	Heater off: 12 VDC: 3.8 W; PoE: 4.3 W, max. Heater on: 12 VDC: 24 W max.
Storage:	Slot for Micro SD card on camera (card not supplied)

Controls and Connectors

Connectors:	Power: 12 VDC: screw terminal; PoE/Network: RJ-45 CAT 5. Local Storage: Micro SD card slot. Composite output provided for installation (NTSC/PAL selectable).
-------------	---

Environmental

Operating Conditions:	Temp: -4 to 122° F (-20 to 50° C) without heater Humidity: up to 90%, non-condensing Heater: 41° F (5° C) (ON)/59° F (15° C) (OFF); tolerance: ±5° C
Approvals:	UL, FCC Class A, CE, IP67
Warranty:	3 years



Dimensional Drawing (mm)

Ordering Information

Resolution	Lens	Model Number
720p resolution (1.3 MP)	3 - 9 mm motorized zoom and focus; IR illuminators	V921B-IR39M
1080p resolution (2 MP)	3 - 9 mm motorized zoom and focus; IR illuminators	V922B-IR39M
3 MP	3 - 9 mm motorized zoom and focus; WDR, IR illuminators	V923B-IR39M

Model Descriptions

Model Number	Description
V920D-OSD	OSD controller; for making changes from the OSD on the V920 series camera domes

Cable Adapters

