

V661D-Series Indoor/Outdoor Analog Camera Dome



- Day/Night, IR illumination and Wide Dynamic Range models available
- On-screen menus with innovative joystick control make setup and operation easy
- Privacy masking
- 600 TV lines
- 3D Digital Noise Reduction (WDR and IR models)
- HLC (High Light Compensation)
- In-ceiling, surface or wall (with optional mount) mounting
- Easy to install and set up
- IP66 rated ingress protection; IK10 rated impact protection

The V661D Series of Indoor/Outdoor Camera Domes offer a compact, domed housing incorporating a fixed camera and lens combination. They are configured for in-ceiling or surface-mount installation. Day/Night, Infrared Illumination (IR) and WDR models are offered in NTSC and PAL versions.

Camera and Optics Provide Outstanding Performance and Value

The V661D Series includes a 2.8-12 mm varifocal lens that provides superb sharpness and excellent sensitivity. All models utilize the 1/3-inch Sony® Super HAD™II CCD device with a resolution of 600 TV lines.

The WDR and IR cameras provide advanced 3D digital noise reduction, which significantly reduces motion blur during low light conditions and greatly reduces video noise. This improves image quality, minimizes video interference and triggering of false alarms and provides a better compression ratio, which decreases storage requirements. The day/night camera provides 2D DNR with an ICR filter for excellent performance in low-light conditions. The WDR model improves detail in bright and low light areas of the image.

The cameras provide motion detection, backlight compensation, sidelight compensation and automatic white balance. Digital image stabilization (WDR and IR models) provides a stable image in a variety of conditions for excellent recording and playback.

Durable Construction and Easy Installation

The IP66 rated cameras are constructed of plastic with a smoked high-impact polycarbonate plastic dome. Tamper-resistant screws make the unit resistant to vandalism. The enclosure and dome are rated IP66 for ingress protection and IK10 for impact protection. The cameras may be mounted on a wall, ceiling or a standard 4 x 4 electrical box.

The cameras are designed for easy installation and setup. A removable housing ring enables the cameras to be easily mounted in a ceiling without the need for an adapter kit. Built-in locking flaps provide a simple, yet secure way to mount the camera in minutes. A wall mounting accessory is also available for pendant style mounting.

The extensive on-screen display menus allow for set up of white balance, AGC, backlight compensation, exposure, titling, privacy masks and many other functions.

Camera and Optics

	Model Numbers		
	V661D-312D	V661D-312IR	V661D-312N
Type:	WDR	IR*	Day/Night
Image Device:	1/3-inch Sony Super HAD II CCD		
Picture Elements:	NTSC: 811 (H) x 508 (V), 410,000 pixels PAL: 795 (H) x 596 (V), 470,000 pixels		
Scanning System:	2:1 interlace		
Scanning Frequency:	NTSC: 15.734 KHz (H) x 60 Hz (V) PAL: 15.625 KHz (H) x 50 Hz (V)		
Synchronization:	Internal/Line Lock		Internal
Shutter Speed:	NTSC: 1/60-1/100,000 sec/PAL: 1/50-1/100,000 sec		
Horizontal Resolution:	600 TV lines color		
Sensitivity:	Color: 0.014 fc (0.14 lux) with f/1.2 lens at 30 IRE B&W: 0.003 fc (0.03 lux) with f/1.2 lens at 30 IRE IR LEDs On: 0 fc (0 lux) with f/1.2 lens at 30 IRE		Color: 0.01 fc (0.1 lux) B&W: 0.004 fc (0.04 lux)
Video Output:	1.0 V p-p @75 ohms, composite		
S/N Ratio:	>50 dB (AGC off, Sense Up off)		>50 dB (AGC off)
Camera Control:	RS-485		N/A
Auto Iris Control:	DC/ELC		DC/Manual
Brightness:	0-99		0-255
Backlight Compensation:	On/Off		Off/BLC/HLC
Automatic Gain Control (AGC):	Selectable: Off, Low, Middle, High		
Dynamic Range:	On/Off (0-20)		D-WDR (On/Off)
Sense Up:	Off/(x2 - x256)		N/A
Digital Noise Reduction:	3D DNR; Selectable: Off, Low, Middle, High.		2D DNR; On/Off
Image Stabilization:	On/Off (Digital Image Stabilization)		N/A
White Balance:	AWC/ATW/Manual/Push		ATW1/ATW2/AWC-Set/Manual
Privacy Mask:	6 programmable zones (polygonal mosaic)		6 programmable zones (16 colors)
Gamma:	User/0.45/0.6/1		CRT/LCD/User (0.05-1.0)
Side Light Compensation:	On/Off (0-50)		Lens shading On/Off (0-255)
Dead Pixel Compensation:	Off/Auto (White, Black, DPC Level)		Auto
Day/Night Black and White	N/A		Burst: On/Off IR Smart: On/Off IR Level: On/Off
Digital Zoom:	3:1 zoom. D-PTZ support enables pan and tilt functionality within zoomed scene.		N/A

* IR model features IR illumination (30 LEDs) for use in no-light environments. Illuminated distance up to 98.4 feet (30 m).

Data Sheet Number: V229-00
Dated: 12/2011

Vicon Data Sheet Part Number: 8009-7229-00-06
Specifications subject to change without notice.

Vicon and its logo are registered trademarks or trademarks of Vicon Industries Inc.
Sony and Super HAD are registered trademarks or trademarks of Sony Corporation.
Copyright © 2011 Vicon Industries Inc. All rights reserved.

Lens:

Focal Length :	2.8-12 mm
Aperture:	f/1.2
Field of View:	2.8 mm: 94.2° H 12 mm: 26.2° H

Electrical

	Model Numbers		
	V661D-312D	V661D-312IR	V661D-312N
Input Voltage:	12 VDC ±10% or 24 VAC ±10%		
Current:	0.33 A @ 12 VDC max.; 0.17 A @ 24 VAC max.	0.42 A @ 12 VDC max.; 0.35 A @ 24 VAC max.	0.21 A @ 12 VDC max.; 0.2 A @ 24 VAC max.
Power Consumption:	4 W maximum	5 W maximum	2.5 W maximum
Connectors:	Power: 2-pin connector Video: BNC on pendant cable RS-485: 2-pin connector		Power: 2-pin connector Video: BNC on pendant cable
Certifications:	UL, CE, FCC, Class A, IP66, IK10		

Operational

Control Display:	On-screen, menu-driven system allowing full configuration of the camera.	
Tilt and Horizontal Adjustment:	Pan, 360°; tilt, 90° from vertical and rotation about its axis (roll/azimuth).	
Lens Adjustment:	Focus: focus lever screw Zoom: zoom lever screw	
Motion Detection:	On/Off (Set window, All Set, All Clear, Sensitivity, Show Indicator, Delay Out)	On/Off (4 area selectable)
Titling:	On/Off, alphanumeric character set, up to 8 characters	
Effects:	V-Flip/Mirror/Rotate/Neg or Pos/Freeze/Sharpness	Mirror/Neg or Pos/Freeze/Sharpness/Contrast/Parking Line

Environmental

Operating Temperature Range:	14 to 131° F (-10 to 55° C)
Operating Humidity Range:	Up to 90% relative, non-condensing.

Warranty

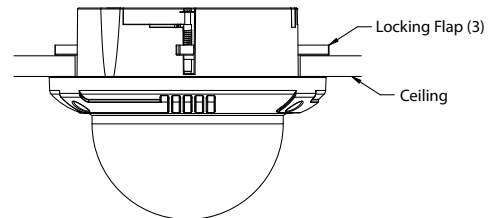
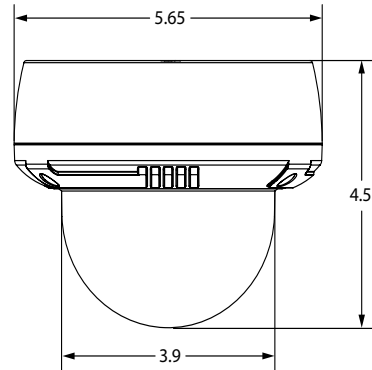
3 years parts and labor

Ordering Information

Description	Model Number
Wide Dynamic Range indoor/outdoor dome camera. 1/3-inch format with DNR and 600 TV line resolution. 12 VDC or 24 VAC.	V661D-312D
IR indoor/outdoor dome camera. 1/3-inch format with DNR and 600 TV line resolution. 12 VDC or 24 VAC.	V661D-312IR
Day/Night indoor/outdoor dome camera. 1/3-inch format with DNR and 600 TV line resolution. 12 VDC or 24 VAC.	V661D-312N



For PAL models add a -P to the Model Number. For example: V661D-312D-P.

- Plastic construction with polycarbonate plastic dome and black security mask. Rated for IP66 and IK10.
- Surface or in-ceiling mounting including mounting to a standard 4 x 4 or 4 x 2 electrical box. Simply remove housing for in-ceiling or electrical box mounting. Wall mounting with optional pendant style mount.
- Housing Diameter: 5.65 inches (143.4 mm)
- Dome Diameter: 3.9 inches (100 mm)
- Height: 4.5 inches (114 mm)
- Weight: 0.99 lb. (0.45 kg)



Camera with Housing Ring Removed for In-ceiling Installation

Mounting Accessory

	Description	Model Number
	Wall-mount arm for camera domes.	V660-HDB243
	Allows the camera dome to be mounted on a 4 x 4 electrical box with a neat look	V660-TRIM