



PRODUCT SPECIFICATION

MODEL: V10AH, V1000AH, V1600AH, V2400AH, V30AH

PRODUCT CODE: SEE TABLE 1

DESCRIPTION: ADJUSTABLE MOUNTING HEADS

- Allows horizontal and vertical positioning on fixed mounts
- Wide range of load ratings
- Attractive styling
- Indoor and outdoor models

Vicon's Adjustable Mounting Heads allow a wide range of positioning angles for mounting closed-circuit television cameras and camera housings. these heads accommodate light, medium, and heavy camera/housing combinations and are intended for use with vicon mounts. See Tables 2 and 3.

NOTES	SPEC NO.	REV.	SEC.
SUPERSEDES PRODUCT SPECIFICATION 515-189	515	695	7

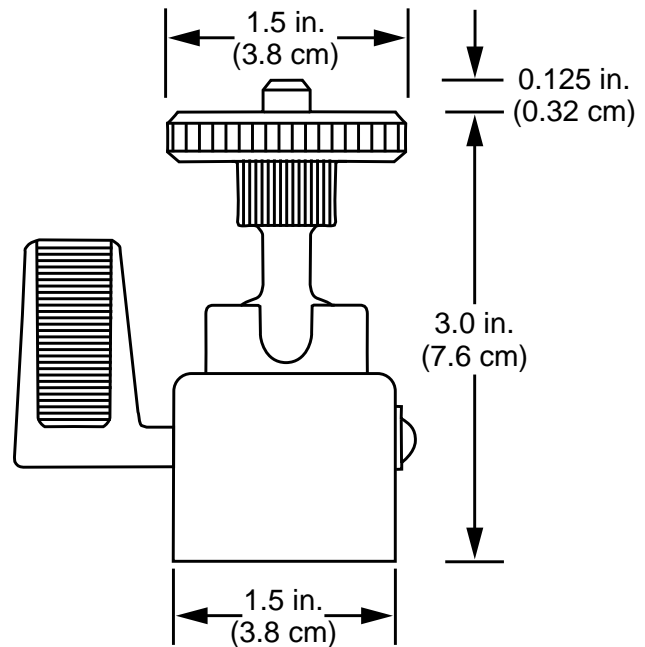


V10AH, V1600AH, V1000AH, V2400AH AND V30AH ADJUSTABLE HEADS

ASSOCIATED EQUIPMENT AND ACCESSORIES

**TABLE 1
ADJUSTABLE HEAD/MOUNT COMPATIBILITY**

Head	Product Code	Mount
V10AH	2230	Various
V1000AH	2232	V114WM
V1600AH	2241	V1600WM V14LCM
V2400AH	1958	V24WM V36WM V14CM V2000WM
V30AH	2251	V24WM V36WM V14CM



Product specifications subject to change without notice.
Copyright © 1999 Vicon Industries Inc. All rights reserved.

Vicon part number 8006-7515-00-00
Vicon and its logo are registered trademarks of Vicon Industries Inc.

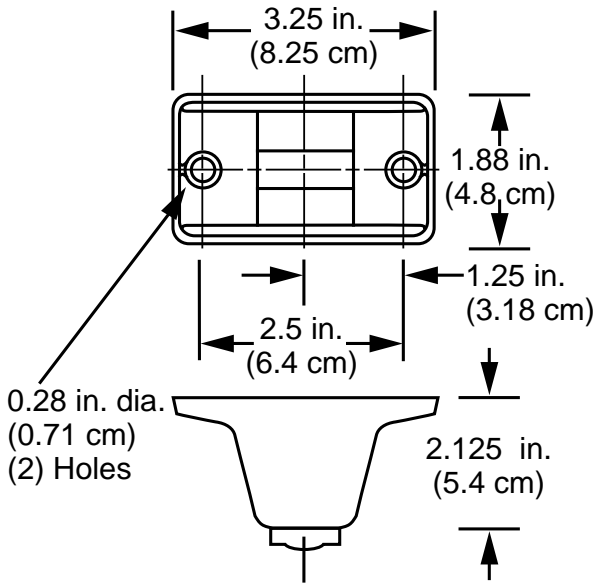


Figure 2
V1000AH Outline Drawing

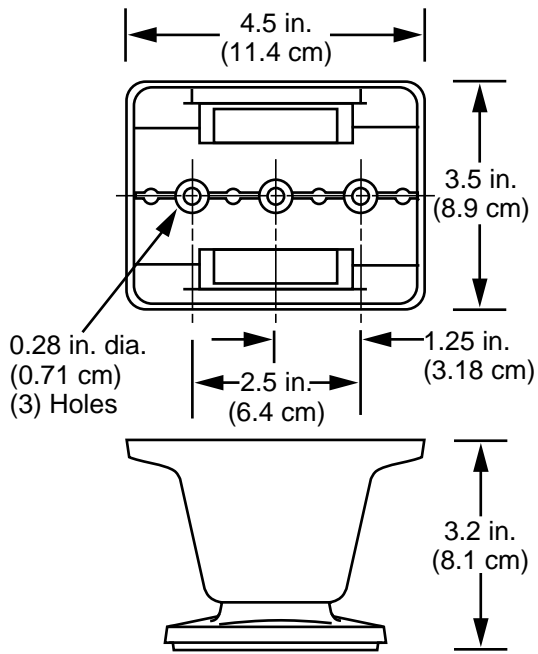


Figure 3
V1600AH Outline Drawing

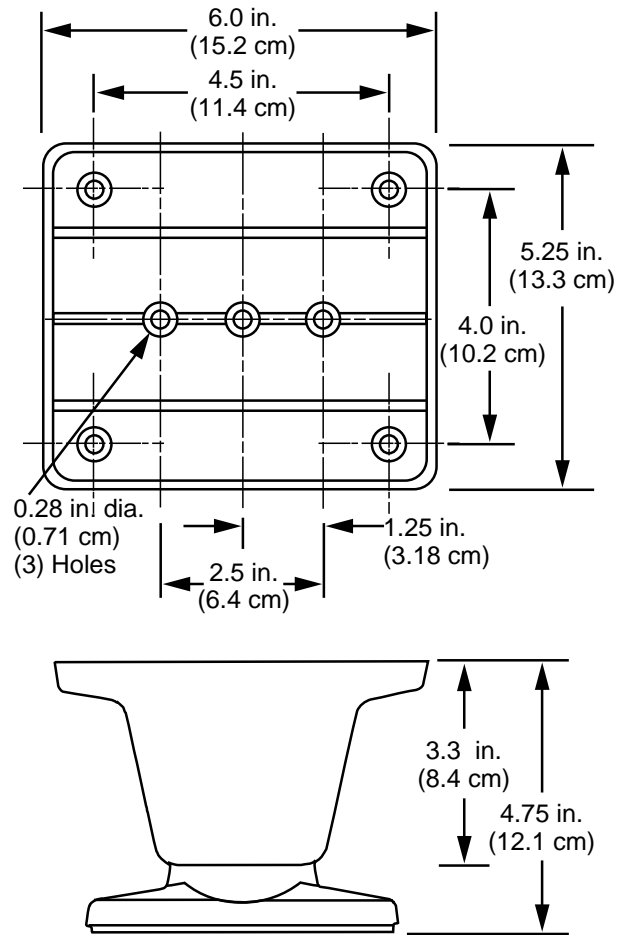


Figure 3
V2400AH Outline Drawing

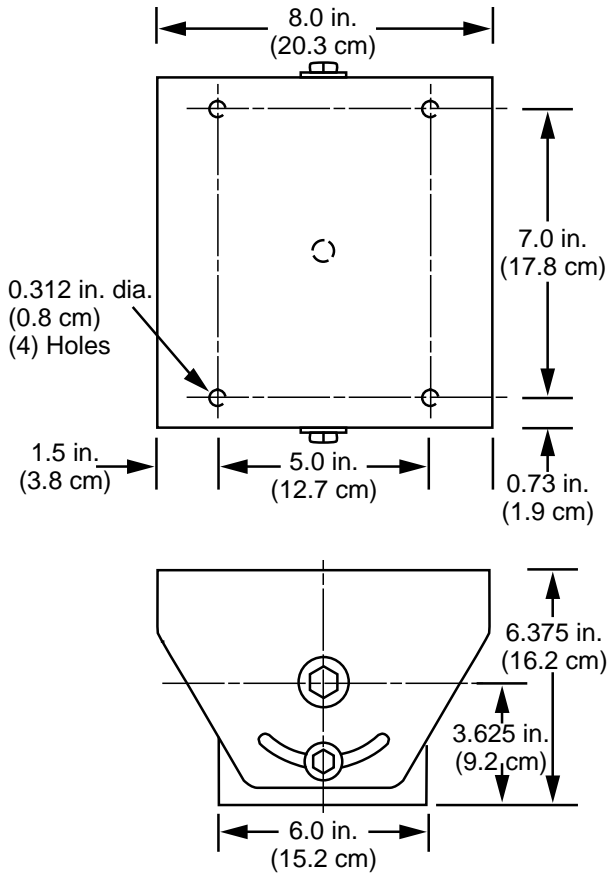


Figure 5
V30AH Outline Drawing

TECHNICAL INFORMATION

Model	Construction/Finish	Load Rating lb (kg)	Application	Rotation/Tilt
V10AH	Die-cast zinc/polished chrome	20 (9.1)	Indoor	360°/90°
V1000AH	Die-cast zinc/polished chrome	25 (11)	Indoor	360°/60°
V1600AH	Die-cast aluminum/ gray enamel	60 (27)	Outdoor	360°/60°
V2400AH	Die-cast aluminum/ gray enamel	100 (45.4)	Outdoor	360°/60°
V30AH	Corrosion-protected steel/gray enamel	200 (91)	Outdoor	360°/60°

NOTE: The use of adjustable heads affects the load rating of the mount. Refer to the product specification for specific mount.

TABLE 3
UNIT WEIGHTS AND SHIPPING INFORMATION*

Model	Weight lb (kg)	Shipping Dimensions			Shipping Weight lb (kg)	Shipping Volume ft ³ (m ³)
		Height in. (cm)	Width in. (cm)	Length in. (cm)		
V10AH	0.7 (0.32)	1.75 (4.4)	2.75 (7.0)	3.5 (8.9)	0.725 (0.33)	0.01 (0.0003)
V1000AH	0.5 (0.2)	4.0 (10.2)	4.8 (12.2)	5.3 (13.5)	0.8 (0.4)	0.06 (0.002)
V1600AH	0.8 (0.4)	4.0 (10.2)	4.8 (12.2)	5.3 (13.5)	1.1 (0.5)	0.06 (0.002)
V2400AH	2.1 (0.9)	6.1 (15.5)	5.0 (12.7)	6.8 (17.3)	2.6 (1.2)	0.12 (0.003)
V30AH	8.7 (3.9)	8.0 (20.3)	11.1 (28.2)	12.3 (31.2)	9.9 (4.5)	0.6 (0.02)

*See Figures 1-5 for outline dimensions.