

The SVFT-UCM Universal Ceiling Mount is designed for pendant mount SurveyorVFT Camera Dome housings. It is a medium-duty ceiling mount constructed of painted carbon steel, suitable for indoor or outdoor installations. It has a four hole mounting flange for ceiling mounting and a cable access hole. The SVFT-UCM has a 1-1/2 inch NPT-F American National Standard Tapered Pipe Thread (NPT). The dome housing is mounted to the ceiling mount in this thread.

ASSOCIATED EQUIPMENT AND ACCESSORIES

Model SurveyorVFT Camera Dome System: A compact high-speed dome unit with an integral receiver, pan/tilt drive and camera/lens module. The SurveyorVFT system is modular and can be outfitted for indoor and outdoor use, with a variety of mounting accessories, and for various camera/lens module types. Refer to Product Specification V134.

SVFT-UCM Universal Ceiling Mount for the SurveyorVFT Camera Dome System

- Convenient ceiling mounting for SurveyorVFT
- Indoor or outdoor application
- Cable routing through mount
- Easy installation

Contractors' Specification
**TECHNICAL SPECIFICATIONS
DIVISION 13 - SPECIAL CONSTRUCTION
SECTION 137__ - SECURITY CCTV SYSTEM**
SECURITY SYSTEM
PART 2 - PRODUCTS
2.01 GENERAL

- A. All equipment and materials used shall be standard components, regularly manufactured, regularly utilized in the manufacturer's system.
- B. All systems and components shall have been thoroughly tested and proven in actual use.
- C. All systems and components shall be provided with the availability of a toll free 24-hour technical support phone number from the manufacturer. The phone number shall allow for immediate technical assistance for either the dealer/installer or the end user at no charge.
- D. All systems and components shall be provided with an explicit manufacturer warranty.

2.02 UNIVERSAL CEILING MOUNT

- A. The ceiling mount shall be a medium-duty indoor/outdoor unit.
- B. It shall have sufficient load rating to support a small camera dome system.
- C. It shall have a cable access hole.
- D. The ceiling mount shall have a standard 1-1/2 in. NPT-F pipe thread.
- E. The ceiling mount shall have the following mechanical specifications:
 - 1. Mounting: Ceiling.
 - 2. Dimensions: Height: 3.0-in. (76 mm).
Width: 6.0-in. (152 mm).
Depth: 9.1-in. (231 mm).
 - 3. Weight: 3.3-lb (1.5 kg).
 - 4. Construction: Carbon steel.
 - 5. Color: White.

The Ceiling Mount shall be Vicon Industries model number SVFT-UCM.



Technical Information

MECHANICAL

Application: Indoor or outdoor.

Mounting: Ceiling or horizontal structure.

Mounting Thread: Standard 1-1/2 inch NPT-F pipe thread.

Dimensions: See Figure 1.
Height (H): 3.0 in. (76 mm).
Width (W): 6.0 in. (152 mm).
Depth (D): 9.1 in. (231 mm).

Weight: 3.3 lb (1.5 kg).

Construction: Carbon steel.

Finish: Painted white polyurethane.

Shipping Dimensions: Height: 5.3 in. (135 mm).
Width: 6.5 in. (165 mm).
Depth: 9.6 in. (244 mm).

Shipping Weight: 3.7 lb (1.7 kg).

Shipping Volume: 0.2 ft³ (0.005m³).

ENVIRONMENTAL

Storage Temperature Range: -40 to 150° F (-40 to 60° C).

Storage Humidity Range: 0 to 90% relative, noncondensing.

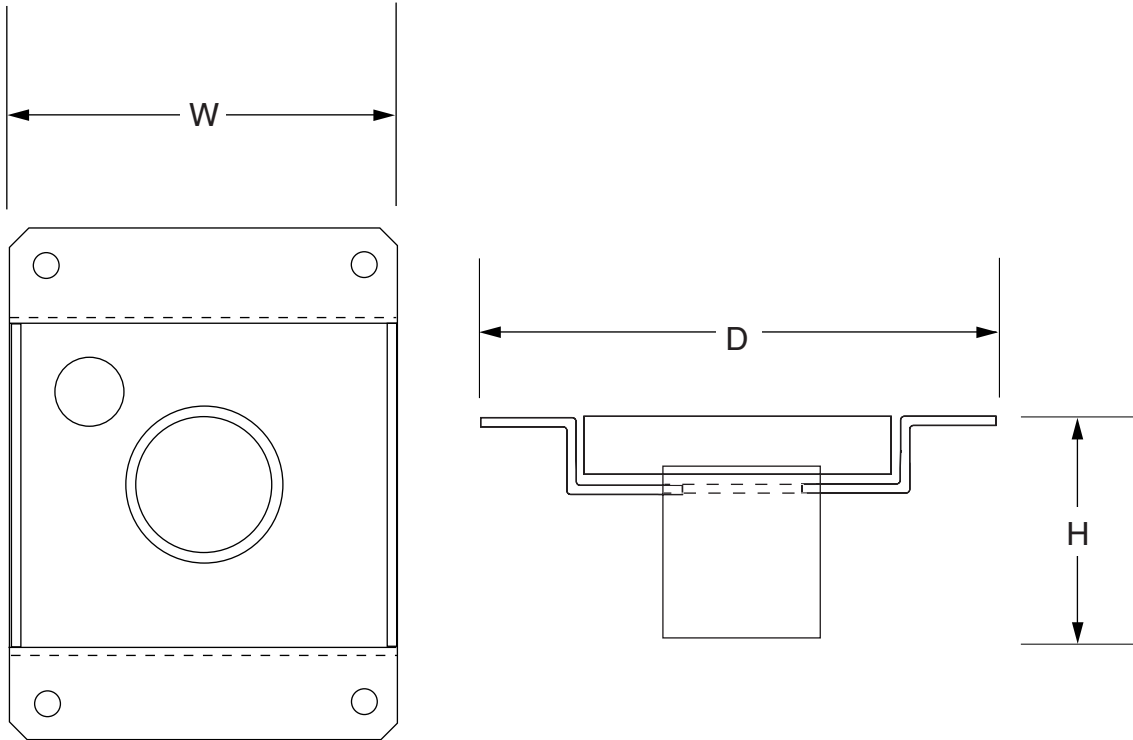


Figure 1
Mounting Dimensions