



The R5 Series Bullet Cameras are full-featured, multi-megapixel, H.264 Main profile indoor and outdoor cameras. The R5 Series provides the increased processing power needed to run analytics and VMS application at the edge. It also features built-in IR, on-camera storage, true day/night capability, and a choice of varifocal and fixed lens options.

Available in 1080p HD and 3 MP resolutions, the R5 bullet camera provides a highly energy-efficient and economical system. ONVIF compliance provides the necessary flexibility to ensure compatibility with the most popular VMS platforms.

The R5 bullet camera can be installed virtually anywhere using Power-over-Ethernet or 12 VDC power and supports a movable IR filter for true day and night operation as well as controls for optimizing video for any lighting condition.

### Product at a Glance

- ▶ Resolutions up to 3 MP
- ▶ H.264 Main Profile + MJPEG Compression
- ▶ Built-in IR illuminators
- ▶ On-camera storage (Micro SDHC)
- ▶ True day/night movable IR filter
- ▶ Power-over-Ethernet; 12 VDC
- ▶ IP66 outdoor enclosure
- ▶ ONVIF compliant
- ▶ Varifocal and fixed lens options

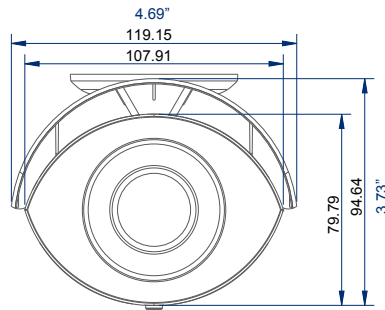
## Network Video Transmission

<b>Compression:</b>	H.264; M-JPEG
<b>H.264 Profile:</b>	Main
<b>Sensor:</b>	1/3" CMOS
<b>JPEG Compression Quality Settings:</b>	User configurable
<b>Shutter Speed:</b>	Auto/Programmable/Fixed
<b>Image Settings:</b>	Saturation, contrast, brightness, sharpness
<b>Exposure:</b>	User configurable
<b>White Balance:</b>	Auto/Programmable
<b>Backlight Compensation:</b>	Auto (BLC)
<b>IR Range (sensor):</b>	800 to 940 nm
<b>IR Range (Illuminator):</b>	Working distance up to 49 ft (15 m); 18 LEDs; wavelength 850 nm

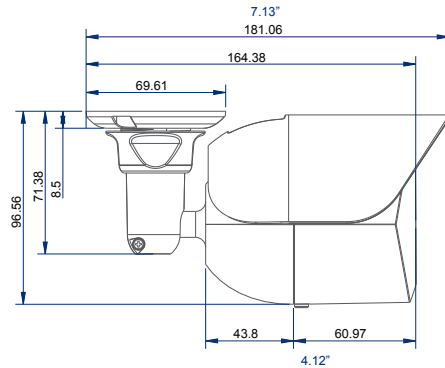
## Features

<b>Motion Detection:</b>	User configurable windows
<b>Time Lapse Recording:</b>	User configurable
<b>Event Based Recording:</b>	User configurable
<b>Flip and Rotate:</b>	180° vertical
<b>Analytics Ready:</b>	Yes
<b>IQapps and Utilities:</b>	IQfinder, IQmanager, IQanalytics, IQevent

## Dimension Drawings



Front



Side

## Models and Descriptions

Model	Max. Resolution	Max. Frame Rate	Min. Illumination	Field-of-View
IQR53NR-F9	3.1 MP - 2048 x 1536	15 fps	Color: 0.1 lux; BW: <0.05 lux	82°
IQR53NR-V20	3.1 MP - 2048 x 1536	15 fps	Color: 0.1 lux; BW: <0.05 lux	85° - 49°
IQR52NR-F9	2.0 MP - 1920 x 1080	30 fps	Color: 0.1 lux; BW: <0.05 lux	77°
IQR52NR-V20	2.0 MP - 1920 x 1080	30 fps	Color: 0.1 lux; BW: <0.05 lux	78° - 46°

## Network

<b>Supported Protocols:</b>	TCP/IP, HTTP, HTTPS, DHCP, UDP, RTP, RTSP, DNS, ARP, ICMP, NTP, UPnP, ZeroConf, UDP multicast, APIPA, CIFS, SNMP, SMTP, Telnet
<b>Password Protection:</b>	Secure multi-level

## Input/Output

<b>Input Power:</b>	Power over Ethernet (PoE, 802.3af Class 2); 12 VDC
<b>Power Consumption:</b>	<4.0 W, typical
<b>AC Lighting:</b>	50 Hz/60Hz, selectable
<b>Network Interface:</b>	RJ-45 10Base-T/100Base-TX
<b>On-Camera Storage:</b>	Micro SD class 10 UHS (card not included)

## Miscellaneous

<b>Ingress Protection Rating:</b>	IP66
<b>Approvals:</b>	FCC, RoHS
<b>Temperature Range:</b>	14° F to 122° F (-10° C to 50° C)
<b>Weight:</b>	0.66 lb (0.3 kg)
<b>Warranty:</b>	3 years
<b>Lens Options:</b>	F9 Wide Angle (3.6 mm, F1.8), V20 Wide Angle (3-10.5 mm, F1.4)