

IQeye SENTINEL SERIES CAMERAS



- Resolutions up to 5 MP; 30 fps @ HD720p, 30 fps @ 1080p, 20 fps @ 3 MP, 10 fps @ 5 MP
- Remote back-focus for sharp focusing
- H.264 Main Profile + M-JPEG compression
- WDR on 1/2/3 MP models
- True day/night removable IR filter
- PoE, 12-24 VDC, 24 VAC
- IP66/NEMA 4 outdoor enclosure
- ONVIF/PSIA compliant

Outdoor IP Camera

The Sentinel is a full featured, multi-megapixel H.264 main Profile all-weather camera. With support for up to 5 MP resolutions, this next generation camera provides multiple, individually configured H.264 and simultaneous M-JPEG streams. Designed with the installer in mind, innovative features drastically reduce installation costs and time.

- Remote back focus greatly reduces installation time using the One-Touch-Focus feature for sharp images, and allows fine focus adjustments from a remote computer eliminating the need for manual focus adjustments at the camera

- Ethernet terminal punch-down eliminates the need to terminate with an RJ45 connector
- Built-in steel camera hangers allow the installer to work with both hands

In addition, the wall, ceiling and parapet mounting options, rugged aluminum construction, and IP66 weather resilience allow the camera to be installed in almost any harsh environment. At less than 8W power consumption, the Sentinel can be fully operational using only PoE.

Video

Compression:	H.264; M-JPEG
H.264 Profile:	Main
Sensor:	1/3" CMOS; 1/2.5" CMOS for 5 MP version
JPEG Compression Quality Settings:	User configurable
Shutter Speed:	Auto/Programmable/Fixed
Image Settings:	Saturation, contrast, brightness, sharpness
Exposure:	User configurable
White Balance:	Auto/programmable
Backlight Compensation:	Auto (BLC)
IR Range:	800 to 940 nm

Features

Motion Detection:	User configurable windows
Time Lapse Recording:	User configurable
Event Based Recording:	User configurable
Flip and Rotate:	180°, horizontal and vertical
Focus Assist:	Remote back focus with one-touch focus
Analytics Ready:	Yes
Utility Programs:	IQaccess, IQfinder, IQmanager, IQevent, IQapps:
	Agent Vi® (license required)

Network

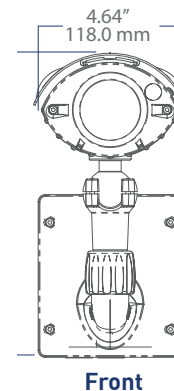
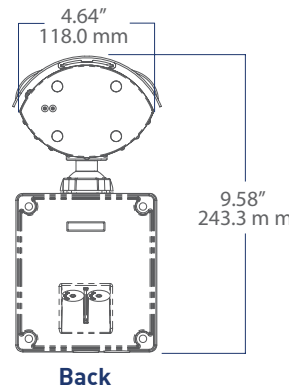
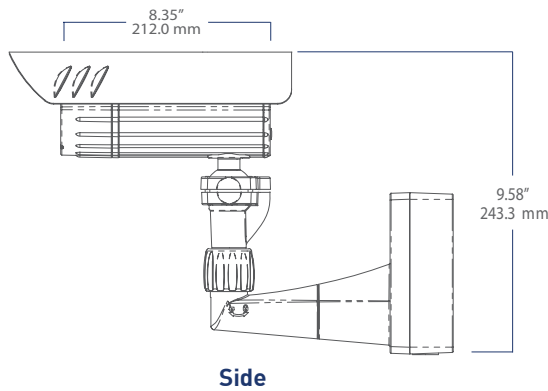
Supported Protocols:	TCP/IP, HTTP, HTTPS, DHCP, UDP, RTP, RTSP, DNS, ARP, ICMP, NTP, UPnP, ZeroConf, APIPA, CIFS, SNMP, UDP multicast, FTP, SMTP, Telnet
Password Protection:	Secure multi-level

Input/Output

Input Power:	PoE (802.3af Class 3); 24 VAC; 12-24 VDC
Power Consumption:	< 8 W, including heater
AC Lighting:	50 Hz/60Hz, selectable
Network Interface:	RJ-45 10Base-T/100Base-TX
Physical I/O:	1 input, 1 output

Miscellaneous

Ingress Protection Rating:	IP66; NEMA 4
Approvals:	FCC Class A, CE, UL, cUL, RoHS 2
Temperature Range:	-22° F to 122° F (-30° C to 50° C)
Weight:	6.25 lb (2.84 kg)
Warranty:	3 years
Lens Options:	V6 (12-40 mm): 1/2" CS, F1.8, IR V17 (3.3-10 mm): 1/2.5" CS, F1.4, IR W2 (1.8-3 mm): 1/2" CS, F1.4, IR
Accessories:	IQ800-JBC+C: Junction Box with Cover IQ800-JBC: Junction Box Cover



Model Number	Max. Resolution	Max. Frame Rate	Min. Illumination	Compatible Lens
IQ861WE	HD720p - 1280x720	30 fps	Color: 0.2 lux B/W: <0.05 lux	V6, V17
IQ862WE	HD1080p - 1920x1080	30 fps	Color: 0.2 lux B/W: <0.05 lux	V6, V17, W2
IQ863WE	3.1 MP - 2048x1536	20 fps	Color: 0.2 lux B/W: <0.05 lux	V6, V17, W2
IQ865NE	5 MP - 2592x1944	10 fps	Color: 0.3 lux B/W: <0.05 lux	V6, V 17, W2