

Colour and monochrome real-time quads

Simple, cost effective surveillance solutions for small systems of up to four cameras. An intuitive user interface enables manual or automatic sequencing of all connected cameras in full-screen and quad format.



Real-time quad and single camera display



Individual alarm inputs with alarm output relay



Real-time quad recording to VCR



Auto sequencing display



Keyboard lockout function

Viewing

Cameras can be manually selected for viewing in full-screen or quad format.

Auto sequencing

The RUN function continuously sequences every camera and the quad display with a user-defined dwell time; any camera not connected will be automatically bypassed.

Recording

A separate output for connection to a VCR enables continuous recording of the quad format picture.

Alarm handling

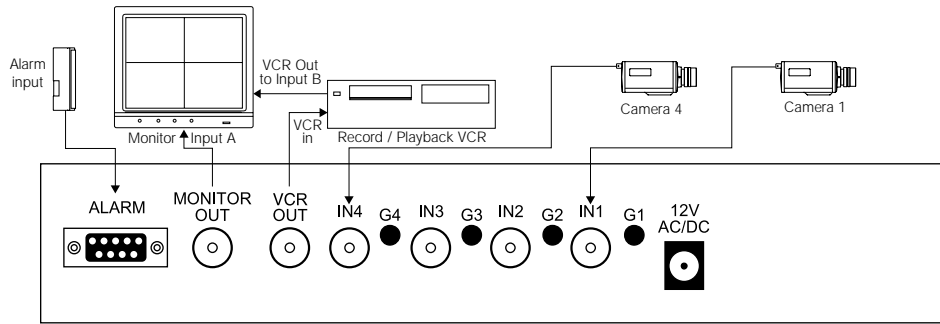
An individual alarm input for each camera switches the monitor to display the corresponding camera. Multiple alarms are displayed in quad format. An alarm output relay is provided to trigger external devices.

Keyboard lockout

The LOCK function prevents accidental key presses.

VQD100-RT / VQD300-RT

Typical connections



Technical data	VQD300-RT	VQD100-RT
General		
• Description	Real-time colour quad	Real-time monochrome quad
Video inputs		
• Inputs	4	4
• Format	PAL, 625 lines	CCIR, 625 lines
• Signal level	1Vpp, composite	1Vpp, composite
• Impedance	75 Ohm	75 Ohm
• Connector	BNC	BNC
Monitor output		
• Signal format	PAL, 625 lines	CCIR, 625 lines
• Signal level	1.0Vpp (75 Ohm), composite	1.0Vpp (75 Ohm), composite
• Display resolution	720 (H) x 576 (V) pixels	720 (H) x 576 (V) pixels
• Display formats	1 (full screen), 2x2 (quad)	1 (full screen), 2x2 (quad)
• Connector	BNC	BNC
VCR in/out		
• Signal format	PAL 625 lines	CCIR 625 lines
• Signal level (composite)	1.0Vpp (75 Ohm)	1.0Vpp (75 Ohm)
• Connectors	BNC	BNC
Alarms		
• Inputs	4 (NO or NC contacts)	4 (NO or NC contacts)
• Output relay	Common, NO, NC relay contact	Common, NO, NC relay contact
• Duration	0-99 sec	0-99 sec
• Connector	DB9	DB9
Electrical		
• Supply voltage	12 volts AC/DC External PSU (supplied)	12 volts AC/DC External PSU (supplied)
• Power consumption	7 Watts (max.)	5 Watts (max.)
• Connector	Power input jack	Power input jack
Mechanical		
• Dimensions (W x H x D)	285 x 44 x 235mm	285 x 44 x 235mm
• Weight	1.7 kg	1.7 kg
• Case colour	Black	Black
Environmental		
• Operating temperature	0° to +40°C	0° to +40°C
• Relative Humidity	5 to 90% (non-condensing)	5 to 90% (non-condensing)

Ordering data

Type	Art. No.	Description	Packed Weight
VQD300-RT	557045.0-001	Quad Real-Time PAL	2.65 kg
VQD100-RT	557061.0-001	Quad Real-Time CCIR	2.65 kg

