

Cerberus®

Magnet contacts

MK2
MK340
MK342
MK640
MK642

-
- Excellent operation even on iron doors
 - Discreet and varied installation
 - Constant sensitivity over a wide temperature range
 - High reliability guaranteed by reed switch
 - MK2: Tamper security by means of cover contact and line termination element

Application

The magnet contacts signal the opening of doors, windows, cupboards, equipment cabinets and drawers etc. The magnet contact consists of two units: a permanent magnet and a reed contact. The units are mounted at a certain distance from each other – the reed contact on the fixed part and the magnet on the moving part of the object protected.

Operation

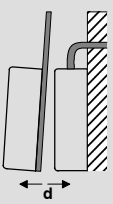
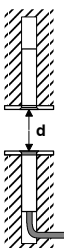
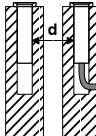
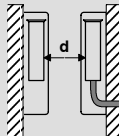
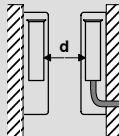
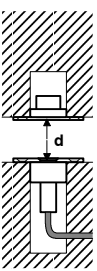
The field of the permanent magnet keeps the reed contact closed. When a door or window is opened the distance between the two units is increased which weakens the effect of the magnetic force on the reed contact. The reed contact opens, interrupting a circuit for signal evaluation.

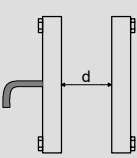
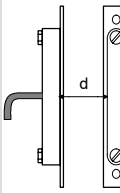
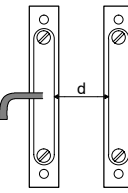
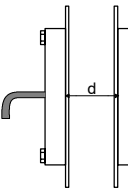
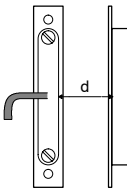
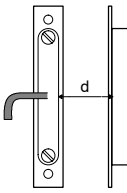
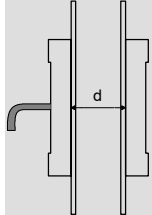
Design

MK340, MK342	<p>The permanent magnet and the reed contact are built into plastic housings. The reed contact has a connection cable:</p> <ul style="list-style-type: none">- MK340: 5m long, four-wire- MK342: 5m long, two-wire <p>The following accessories are available:</p> <ul style="list-style-type: none">- MK300-15 housing for surface mounting- MK300-11 collar for installation in wood or aluminium- MK300-2 adapter for installation in ferro alloy <p>MK342 is equipped with two resistors for increased tamper security.</p>
MK640, MK642	<p>The permanent magnet and the reed contact are built into plastic housings. The reed contact has a connection cable:</p> <ul style="list-style-type: none">- MK640: 5m long, four-wire- MK642: 5m long, two-wire <p>The following accessories are available:</p> <ul style="list-style-type: none">- MKH3 set for installation in wood or aluminium- MK600-1 flange for installation in ferro alloy
MK2	<p>The permanent magnet and the reed contact have identical housing consisting of base plate and cover. The base plate can be secured to the mounting surface by two screws or adhesive. The cover of the reed contact is supervised by a tamper contact against removal. The securing screw of the cover is countersunk and can be sealed. Space is provided for the connection of an end-of-line resistor.</p>

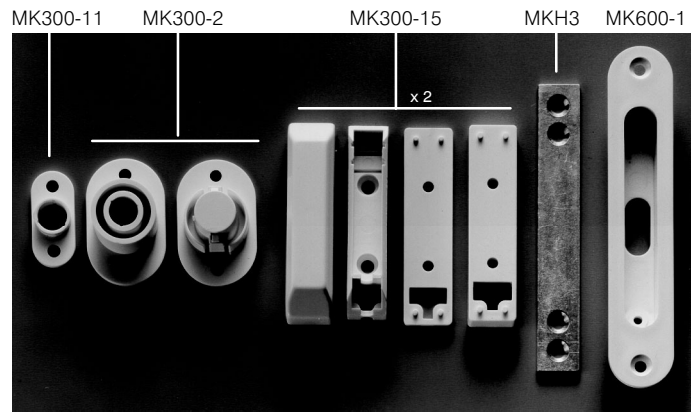
Technical data

	MK2	MK340	MK342	MK340 + MK300-2	MK342 + MK300-2	MK640	MK642
Closing contact reed	50V _{DC} /0.1A	100V _{DC} /0.5A	100V _{DC} /0.5A	100V _{DC} /0.5A	100V _{DC} /0.5A	100V _{DC} /0.5A	100V _{DC} /0.5A
End-of-line resistors	integrable	-	2 x 16.2k Ω	-	2 x 16.2k Ω	-	2 x 16.2k Ω
Cover contact	50V _{DC} /0.1A	-	-	-	-	-	-
Operating temperature	-30...+70 °C	-30...+70 °C	-30...+70 °C	-30...+70 °C	-30...+70 °C	-30...+70 °C	-30...+70 °C
Application							
- wood, aluminium	yes	yes	yes	yes	yes	yes	yes
- ferro alloy	yes	no	no	yes	yes	yes	yes
Method of installation							
- surface	yes	yes	yes	no	no	yes	yes
- recent	no	yes	yes	yes	yes	yes	yes
- drilling	no	Ø 8mm	Ø 8mm	Ø 18mm	Ø 18mm	no	no
Intruder alarm systems							
- categories	1, 2, 3	1	1, 2, 3	1	1, 2, 3	1 (2 only in exceptional cases)	1, 2, 3
Approvals							
- VdS, class „B“		G 194508	G 100510			G 199532	G 199535

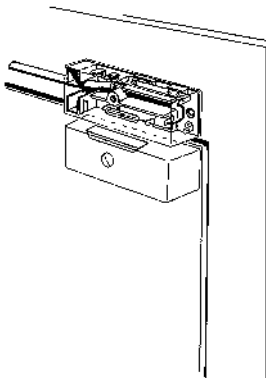
Closing points	MK2	MK340, MK342 + MK300-11W			MK340, MK342 + MK300-15W	MK340, MK342 + MK300-2
						
- wood, aluminium opens at a distance d of closes at a distance d of	27mm 12mm	18mm 15mm	20mm 15mm	20mm 15mm	30mm 27mm	
- ferro alloy opens at a distance d of closes at a distance d of	14mm 6mm	- -	- -	13mm 10mm	20mm 18mm	

	MK640, MK642	MK640, MK642 + MKH3					MK640, MK642 + MK600-1
							
- wood, aluminium opens at a distance d of closes at a distance d of	33mm 29mm	29mm 26mm	27mm 25mm	30mm 27mm	27mm 24mm	33mm 29mm	
- ferro alloy opens at a distance d of closes at a distance d of	- -	- -	- -	- -	- -	22mm 19mm	

Installation accessories



Mounting examples



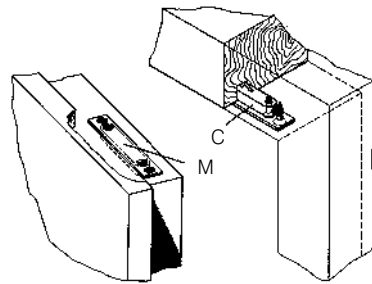
Suitable arrangement of MKM2 and MKK2



MK2 supervising a wooden door

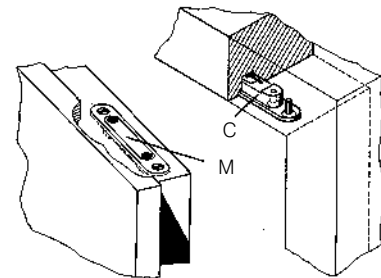


MK2 supervising a glass door



M = Magnet, C = Contact

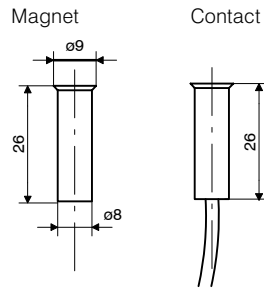
MK640, MK642 on a wooden door



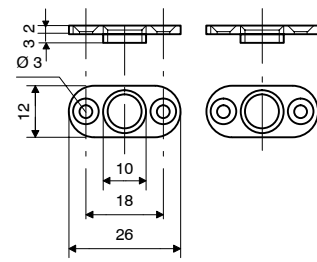
MK640, MK642 on a metal door

Dimensions

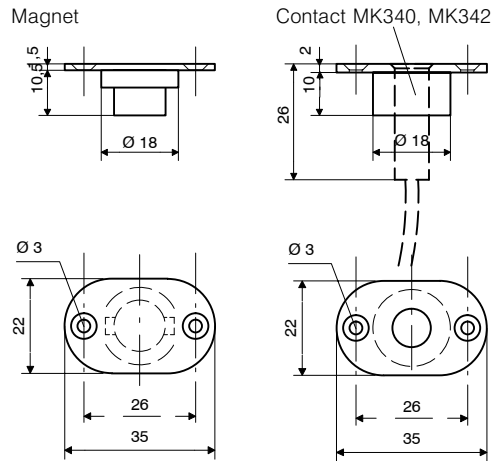
Magnet contact for wood and aluminium MK340, MK342



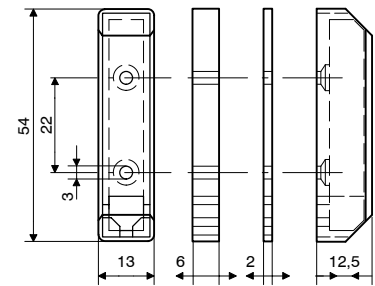
Collar for wood and aluminium MK300-11



Adapter for ferro alloy MK300-2

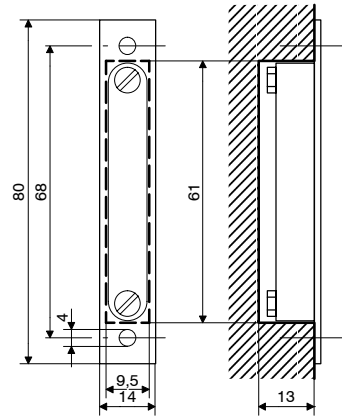


Surface housing MK300-15

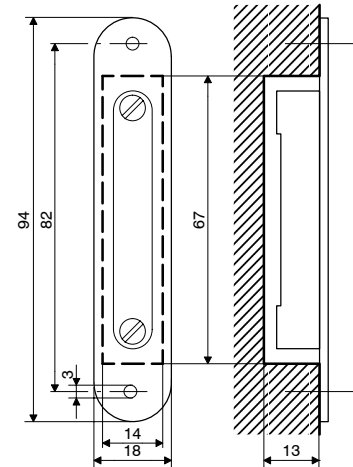


Magnet contact MK640, MK642

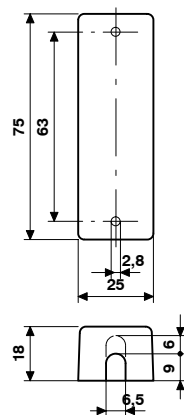
for wood and aluminium with MKH3



for ferro alloy with MK600-1



Magnet contact MK2



Details for ordering

	Type	Part no	Designation	Weight
Magnet contact with cover contact MK2	MKK2	250232	Reed contact incl. spacer, 2mm thick (4 pieces)	0.025kg
	MKM2	250245	Magnet (4 pieces)	0.030kg
	-	251312	Spacer, 2mm thick (4 pieces)	0.005kg
	MKK2-D	250119	Rubber gasket for MKK2	0.001kg
Magnet contact MK340, MK342	MK340-5W	518233	Magnet contact white, with 5m cable, 4-wire	0.100kg
	MK342-5W	536846	Magnet contact white, with 5m cable, 2-wire, 2 x 16.2k Ω	0.080kg
	MK300-11W	518343	Collar for MK340, MK342, for installation in wood or aluminium (1 pair)	0.003kg
	MK300-2	536820	Adapter for MK340, MK342, for installation in ferro alloy (1 pair)	0.010kg
	MK300-15W	518408	Housing for surface mounitng, for MK340, MK342, incl. spacers (1 pair)	0.010kg
Magnet contact MK640, MK642	MK640-5W	537175	Magnet contact white, with 5m cable, 4-wire	0.115kg
	MK642-5W	537188	Magnet contact white, with 5m cable, 2-wire, 2 x 16.2k Ω	0.095kg
	MKH3	340100	Set for installation in wood or aluminium, for MK640, MK642	0.015kg
	MK600-1	537191	Flange for installation in ferro alloy, for MK640, MK642 (1 pair)	0.015kg