



CVWC1325-LX

1/3" CMOS Ultra Wide Dynamic Vandal-Resistant Dome

-
- Impact resistant 1000 kg
 - High resolution 500 TVL
 - Ultra wide dynamic range: 120 dB
 - Switchable BLC (6 predefined fields with remote software)
 - Full 3-axis adjustment for wall and ceiling mounting
 - 0.6 Lux sensitivity
 - Inner liner to disguise camera view
 - Automatic colour/mono switchover in low light
 - Easy OSD and remote RS485 / coax camera parameter setup
 - Integrated activity detection
 - Integrated twisted-pair video output
 - Noise reduction (DNR)
 - Dual video standard PAL/NTSC

Attractive high-resolution dome camera for either ceiling or wall mounting, complete with clear protective bubble. The camera includes service monitor connection and cable for easy local setup. It is designed for indoor or outdoor (IP66 rating) applications where discreet, unobtrusive surveillance is demanded. CVWC1325 is a 500 TVL high-resolution colour vandal dome camera using the latest CMOS image sensor and 32-bit DPS (Digital Pixel System, PIXIM D2500 *) techniques to provide crisp, aperture-corrected images for surveillance applications requiring detailed images even in extreme illumination conditions.

Versatile – ease of use

The CVWC series of varifocal vandal-resistant dome cameras features a 1/3" PIXIM* CMOS sensor coupled with a high-performance varifocal auto-iris lens allowing the camera to be used in a wide range of indoor and outdoor applications including retail, commercial buildings, museums, banks or hotels. Setting up the camera parameters via integrated OSD or remote setup via RS485 (with control unit CKA4820 or video matrices SIMATRIX / VISILYNX VIS 3i) or the existing video coax cable ensure complete flexibility. The camera is equipped with a 2.8 – 10 mm varifocal auto-iris lens, allowing the flexible adaptation to the required angle of view.

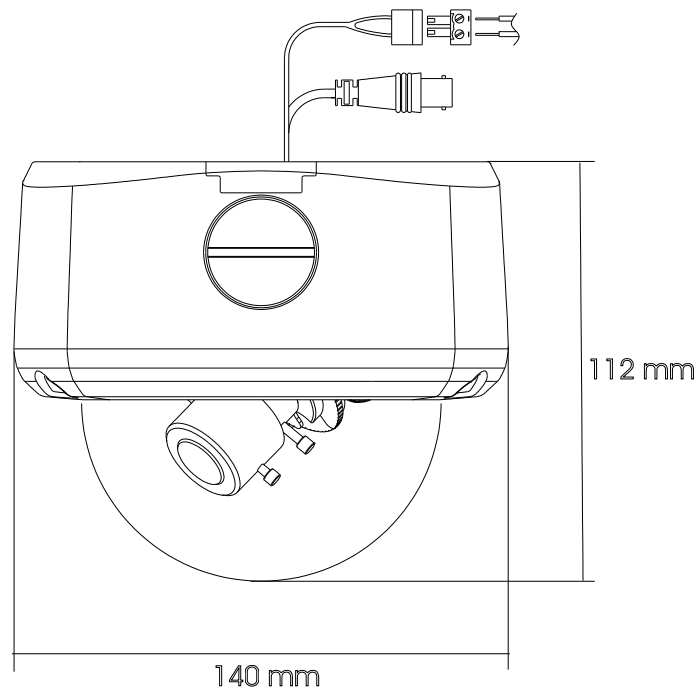
High-resolution wide dynamic

The latest 32-bit DPS (**D**igital **P**ixel **S**ystem*) technology enables the ultra wide dynamic video range of up to 120 dB, providing video images without over- or underexposed areas at 500 TVL high resolution. Low-light monochrome mode (with automatic colour/monochrome switchover at low-light) extends the camera's performance and flexibility. The above features make this camera very attractive for security applications in bank foyers, lobbies, schools and car parks.

Twisted-pair video out

Besides the conventional BNC video output, the integrated twisted-pair video output enables the transmission of the video signal via simple twisted-pair cabling, such as telephone cable, over a distance of up to 1200 m using a twisted pair receiver unit (e.g. TP-RXMOD2 or equivalent).

Dimensions



Technical data

General

Image sensor	1/3" CMOS, PIXIM* DSP Orca D2500, 720 x 540 effective pixels
Horizontal resolution	>500 TV lines
Minimum illumination (at 50 IRE)	0.6 Lux
S/N ratio	> 48 dB (AGC off)
Electronic shutter (AES)	1/50 sec. for PAL or 1/60 sec. for NTSC
Slow shutter	X2 / X4 / X8 / X16
Dynamic range	120 dB (max.)
Back light compensation	6 areas selectable Center 1, Center 2, Up Half, Down Half, Door Up, Door Down
Gain control	Selectable 0, 6, 12, 18, 24 up to 30 dB
Sync system	Internal / line lock (AC only)
White balance control	ATW: Colour temperature ranges are depending on preset mode Manual: 40 steps by pushbutton for R and B
Digital noise reduction (DNR)	On/Off
Digital zoom	4 x (max.) , digital pan, tilt
Gamma correction	0.45 / 1.0
D/N mode	AUTO (level and hysteresis selectable); COLOR, B/W, C.G., B.G
Bubble type	Clear (inner liner)

Video output

TV system	PAL: 2:1 interlace, 50 Hz vertically, 15,625 Hz horizontally NTSC: 2:1 interlace, 60 Hz vertically, 15,734 Hz horizontally
Video output	Composite (BNC):1 Vpp, 75 Ohm, BNC Twisted Pair
Local service monitor output	Yes (cable included)

Lens details

Focal length	2.8 – 10 mm
Focus type	Adjustable
Maximum relative aperture	Aspherical F1.3
Iris	Direct drive auto-iris
Viewing angle	Horizontal: 100.2° (wide angle) - 27.4° (telescopic) Vertical: 73.3° (wide angle) - 20.5° (telescopic)
Minimum object distance	0.3 m

Electrical

Supply voltage	12 V DC / 24 V AC, 4.8 VA max.
RS485 remote setup	Yes - Protocols: Siemens-S, Siemens-B, Molynx-D (only with control unit CKA4820 or video matrices SIMATRIX / VISILYNX VIS 3i)
Coax control	Molynx-C

Mechanical

Dimensions (Ø x H)	140 x 112 mm
Weight	1.15 kg

Environmental

IP rating	IP66
Ambient temperature - operation	-10 to +50 °C
Storage temperature	-20 to +60 °C
Relative humidity	95 %, no condensation

*) PIXIM and Digital Pixel System are registered trademarks of PIXIM, Inc. All rights reserved.

Details for ordering

Type	Part no.	Designation	Weight
CVWC1325-LX	S54561-C1-A1	1/3" CMOS Ultra Wide Dynamic Colour Vandal Resistant Varifocal Dome, 500 TVL, PAL/NTSC, 12 V DC / 24 V AC	1.15 kg

Accessories (not included in delivery)

Type	Part no.	Designation	Weight
PSU230-12	2GF1800-8BE	Power supply unit for 12 V DC cameras	0.12 kg
CAPA2410-P	2GF1800-8BJ	Power supply unit for 24 V AC cameras	0.30 kg
CVVA-CD	2GF1086-8AH	Clear lower dome – vandal-resistant	0.30 kg
CVVA-WMIP	2GF1086-8AN	Wall bracket	0.50 kg
CVVA-FMIP	2GF1086-8AM	Flush mount kit	1.40 kg
CVVA-IP	2GF1185-8AG	MJPEG IP module for vandal-resistant fix-dome	0.62 kg