



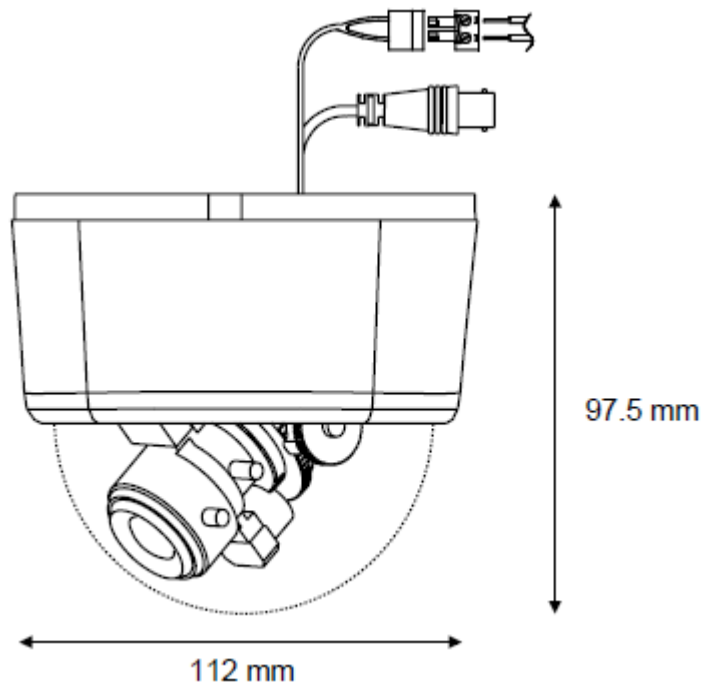
# CVVS1327-LP

**Super high resolution vandal-resistant fix dome (960H sensor technology) with varifocal lens**



- Discreet and compact design
- Super high resolution max. 700 TVL (960H sensor technology)
- High-performance aspherical Auto-Iris lens F1.4
- Impact resistant 1000kg, IK10
- Switchable BLC (6 predefined fields with remote software)
- Dual voltage 12 V DC/24 V AC (line-lock phase adjustment)
- Full X, Y and Z axis adjustment for wall and ceiling mount
- Smoked protective lower bubble
- Easy setup via setup software with local remote-setup port

Attractive high resolution dome camera for either ceiling or wall mount complete with smoked protective bubble. Includes service monitor connection and cable for easy local setup. Designed for indoor or outdoor (IP66 rating) applications where discreet, unobtrusive surveillance is demanded. The electronic design is based on latest 960H sensor technology delivering detailed video resolution from up to 700 TVL.



#### Dimensions

## Application

### ■ Versatile – ease of use

The CVV series of varifocal vandal-resistant dome camera features a 1/3" EXVIEW HAD CCD II on the Day/Night model. CCD coupled with a high-performance varifocal aspherical auto-iris lens allowing the camera to be used in a wide range of indoor and outdoor applications including retail, commercial buildings, museums, banks or hotels. Easy to access DIP switches for white balance, backlight compensation, line-lock phase adjustment, AGC and auto-iris lens adjustment ensure complete flexibility. Coupled with the PC remote setup software it provides the added benefit to customise the camera's usability further with the Day/Night model.

### ■ 24 hour surveillance

With a mechanical IR cut filter, the Day/Night model ensures crisp, sharp images both by day in colour and when used with an infrared illuminator, in monochrome at night.

## ■ Technical data

CVVS1327-LP

### General

Fixed Dome High Resolution Day/Night

### Image sensor

Horizontal resolution max. 700 TV lines, typ. 650 TV lines

Minimum illumination (at 50 IRE)

Clear bubble 0.29 Lux (colour) / 0.21 Lux (mono)

Smoked bubble 0.53 Lux (colour) / 0.43 Lux (mono)

S/N ratio > 50 dB

Electronic shutter (AES) 1/50 to 1/100000 s

Backlight compensation ON or OFF (software allows 6 zones)

Gain control AGC ON or OFF  
(software allows 18 - 30 dB)

Sync system Internal / line lock (AC only)

White balance Automatic

Bubble type Smoked

### Video output

TV system PAL, 2:1 interlace, 50 Hz vertically,  
15,625 Hz horizontally

Signal (composite) 1 Vpp, 75 Ohm, BNC

Local service monitor output Yes (cable included)

### Lens details

Focal length 3.7 - 12 mm

Focus type Adjustable

Maximum relative aperture F1.4 – 2.8

Iris Direct drive auto-iris

Horizontal angle of view 22.7 – 76.9°

Minimum object distance 0.5 m

### Electrical

Supply voltage 12 V DC / 24 V AC, 2,5 W

RS232 remote setup (optional) Yes

### Mechanical

Dimensions (Ø x H) 138 x 112 mm

■ Details for ordering

Type	Part number	Designation	Weight
CVVS1327-LP	S54561-C109-A100	1/3" CCD Vandal-Resistant Dome, High Resolution Day/Night 12 V DC/24 V AC, 2,5 W	1.7 kg

The information in this document contains general descriptions of technical options available, which do not always have to be present in individual cases. The required features should therefore be specified in each individual case at the time of closing the contract.

© Siemens AB • Document no. C-300093 • Edition: 09.2013 •