

CVMW2010-VIR

2 Megapixel WDR varifocal vandal-proof network dome camera

VANDERBILT

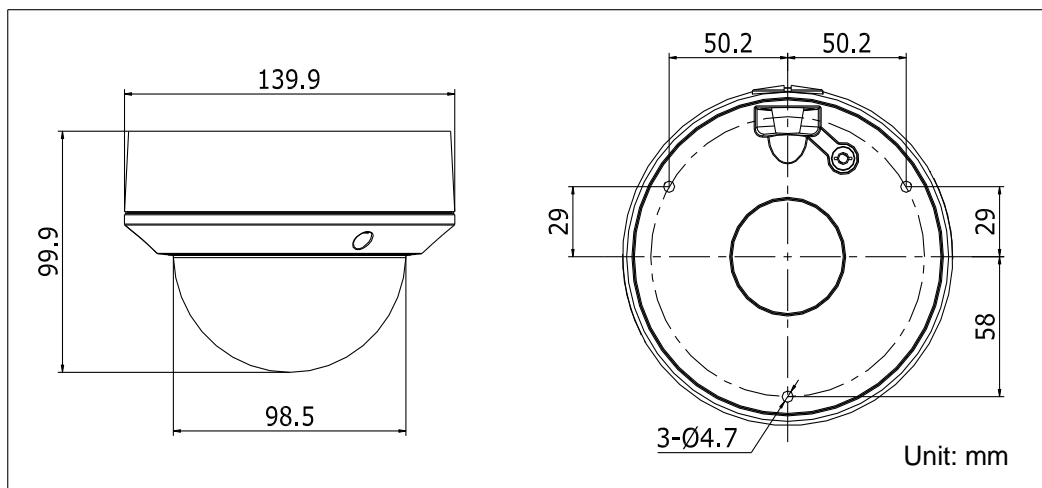


The Eventys range offers variants of up to H.264+ IP compression efficiency and optimised codec technology, alongside two network video recorders (NVRs). With a simple set up procedure, these products offer outstanding functionality and flexibility, and are perfect for small to medium sized installations.

The Eventys CVMW2010-VIR IP WDR dome camera features 2MP resolution with a varifocal lens. Powering and connecting the dome camera is a simple and straightforward exercise thanks to the use of power over Ethernet (PoE). Coupled with automatic IP address allocation, auto-device detection and connection (from Eventys NVRs), Eventys IP cameras truly are plug and play. Robust, reliable and suitable for a wide variety of applications, the cameras are built into an IP67 rated weatherproof enclosure, while advanced CMOS progressive scanning allows the camera to obtain values from each pixel in the sensor and scans to produce a complete picture.

Key features include:

- 1/2.8" Progressive Scan CMOS
- Up to 2 megapixel resolution
- 120 dB WDR
- 3D DNR
- Lens 2.8-12mm
- Up to 30 meters IR range
- Built-in Micro SD/SDHC/SDXC card slot, up to 128 GB
- 12V DC \pm 10% & PoE(802.3af)
- Support H.264+
- IP67
- IK10
- Support intrusion detection and line crossing detection
- VCA features are supported



Technical data

Model	CVMW2010-VIR
Camera	
Image Sensor	1/2.8" Progressive Scan CMOS
Min. Illumination	0.014 Lux @(F1.4,AGC ON), 0 Lux with IR ON
Shutter Speed	1/3 s ~ 1/100,000 s
Slow Shutter	Support
Lens	2.8 - 12 mm @ F1.4
Angle Adjustment	Pan:0° - 355°, Tilt: 0° - 75°, Rotation: 0° - 355°
Lens Mount	Ø 14
Day & Night	IR cut filter with auto switch
DNR	3D DNR
WDR	120 dB
Compression	
Video Compression	H.264 / MJPEG / H.264+
H.264 Type	Main Profile
Video Bit Rate	32 Kbps – 16 Mbps
Dual stream	supported

Image	
Max. Resolution	1920 × 1080
Frame Rate	50Hz: 25fps (1920 × 1080), 25fps (1280 × 960), 25fps (1280 × 720) 60Hz: 30fps (1920 × 1080), 30fps (1280 × 960), 30fps (1280 × 720)
Image Setting	Rotate Mode, Saturation, Brightness, Contrast, Sharpness adjustable by client software or web browser
BLC	Support, zone configurable
ROI Codec	Support
Network	
Network Storage	NAS (Support NFS, SMB/CIFS)
Alarm Trigger	Intrusion detection, Line crossing detection, Motion detection, Dynamic analysis, Tampering alarm, Network disconnect, IP address conflict, Storage exception
Protocols	TCP/IP, UDP, ICMP, HTTP, HTTPS, FTP, DHCP, DNS, DDNS, RTP, RTSP, RTCP, PPPoE, NTP, UPnP, SMTP, SNMP, IGMP, 802.1X, QoS, IPv6, Bonjour
Security	One-key reset, flicker-less, dual stream, heartbeat, mirror, password protection, privacy mask, watermark, IP address filtering, anonymous access
Standard	ONVIF Profile S
Interface	
Communication interface	1 RJ45 10M/100M Ethernet interface
On-board storage	Built-in Micro SD/SDHC/SDXC card slot, up to 128 GB, card is not included
Video Output	1Vp-p composite output (75 Ω/BNC)
General	
Operating Conditions	-30 °C – 60 °C (-22 °F – 140 °F), Humidity 95% or less (non-condensing)
Power Supply	12V DC±10%, PoE (802.3af)
Power Consumption	Max. 5.5 W
IR Range	20~30 meters
Ingress Protection	IP67
Impact Protection	IK10
Dimensions	∅ 140 × 99.9 mm (∅ 5.51" × 3.94")
Weight	1000g (2.20lbs)

Details for ordering

Type	Part no.	Designation	Weight
CVMW2010-VIR	V54561-C137-A100	CVMW2010-VIR 2MP Fix dome IR Varif. WDR	1000g
