

CVMD4010-IR

5MP 360° IP Camera with IR - DATASHEET

VANDERBILT

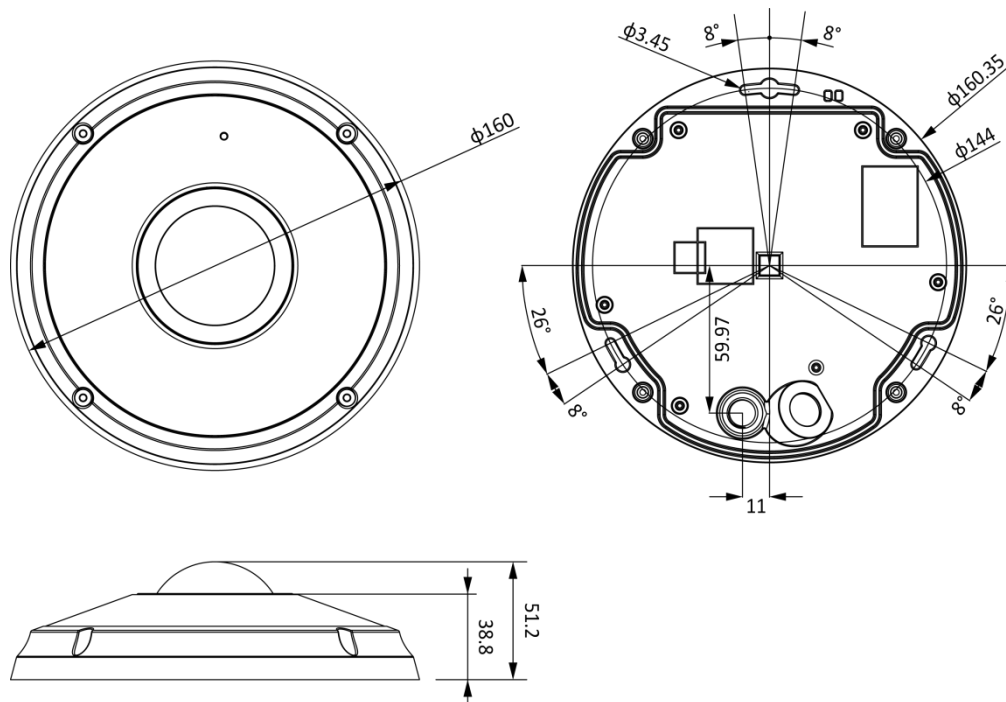


The CVMD4010-IR is the latest 360° wide dynamic IR fixed dome network camera from Vanderbilt. Featuring a detailed 4-Megapixel video streaming with superb image quality, it is equipped with a “fisheye” lens for 360° surround view with no blind spots.

Ideally suited for applications that require coverage of wide, open areas, this day/night camera features a removable IR-cut filter, resulting in clear images 24 hours a day. Built-in IR LEDs enable the CVMD4010-IR to provide 360° illumination for clear viewing of up to 10 metres, even in completely dark environments. The CVMD4010-IR with its on board IR LEDs features a brand new mirror technology to illuminate the environment horizontally, not vertically as typical 360° cameras.

Key features include:

- 5-Megapixel CMOS sensor
- 30 fps @ 1080p full HD, max 4MP 1920x1920 video resolution
- 1.5 mm fisheye lens for 180° panoramic view and 360° surround view
- Removable IR-cut filter for day & night functionality
- Integrated IR illumination with innovative mirror technology
- Real-time H.264, MPEG-4, and MJPEG compression (triple encoding)
- WDR enhancement for unparalleled visibility in extreme environments
- Vandal-proof IK10 and weatherproof IP66 rated housing
- Built-in 802.3at compliant PoE
- Built-in microSD/SDHC/SDXC card slot for on-board storage (8GB including) up to 64GB
- Pixel calculator for image clarity measurement
- Supports local/internal dewarping



■ Technical Data

Model	CVMD4010-IR
Optical System	
Lens Type	Fixed-focal Glass Megapixel Lens
Focal Length	F = 1.5 mm
Aperture	F2.8 fixed
Angle of View	180° (Horizontal) 180° (Vertical) 180° (Diagonal)
Day / Night	Removable IR-cut filter for day & night function
Image Sensor	1/2.5" Progressive CMOS in 2560 x 1920 resolution
WDR	WDR 69dB
Maximum Resolution	1920x1920, 4MP visible
Electric Shutter	1/5 sec. to 1/32,000 sec.
IR Illumination	Built-in IR illuminators, effective up to 10 meters IR LED*6, depending on the scenery, Mirror technology
Minimum Illumination	Color: 1.3 Lux, B/W: 0.01 Lux, BW: 0 Lux @ IR LED ON, F2.8, AGC ON, 50IRE
On-board Storage	Micro SD/SDHC/SDXC, up to 64GB, 8GB SD card included
Video	
Compression	H.264, MJPEG & MPEG-4
Frame Rate	30 fps at 1920x1080 (In all compression modes) 15 fps at 1920x1920
Video Streaming	Triple streaming
Motion Detection	Five-window video motion detection
S/N Ratio	>50 dB

Audio	
Audio In/Out	Audio In/Out (full duplex)
Audio Format	AAC, G.711, G.726
Interface	Built-in microphone, External microphone input, External line output 0.707V full-scale voltage for line-out, 2.5V maximum voltage for mic-in
Alarms and Events	
Alarm Triggers	Video motion detection, manual trigger, digital input, periodical trigger, system boot, recording notification, camera tampering detection
Alarm Events	Event notification using digital output, HTTP, SMTP, FTP and NAS Server File upload via HTTP, SMTP, FTP and NAS server
Network Protocols	IPv4, IPv6, TCP/IP, HTTP, HTTPS, UPnP, RTSP/RTP/RTCP, IGMP, SMTP, FTP, DHCP, NTP, DNS, DDNS, PPPoE, CoS, QoS, SNMP, 802.1X, UDP, ICMP
Network Specifications	
Users	Live viewing for up to 10 clients concurrent
ONVIF	Supported Profile S and G
Web Browser	Mozilla Firefox 7~10 (streaming only) Internet Explorer, 10 and 11.x
Dimensions	Ø= 160 x 51 mm
Weight	794g
IP rating	IP66
Vandal rating	IK10
General	
Connectors	RJ-45 cable connector for Network/PoE connection, Audio input, Audio output, DC 12V power input, Digital input*1, Digital output*1
Operating Temperature	-40°C to +50°C
Power Requirements	DC 12V, IEEE 802.3at PoE Class 4
Power Consumption	Max. 23 W (PoE+), Heater and IR on

Details for ordering camera:

Type	Part no.	Designation	Weight
CVMD4010-IR	V54561-C128-A100	CVMD4010-IR 1/2,5 360 Cam D/N WD IR 12V	794g

Details for ordering camera accessory:

Type	Part no.	Designation	Weight
3A-303WP12-080	V54587-Z103-A100	Plug type PSU 12V DC, 2.5A	220g

