

# SIEMENS

## IVM NT

Interactive Video Management System NT  
Software Package for Video Control Centers



# Interactive video management system NT

**IVM NT** is the software package for operation, visualization, parameterization and control of all video components in your video control center:



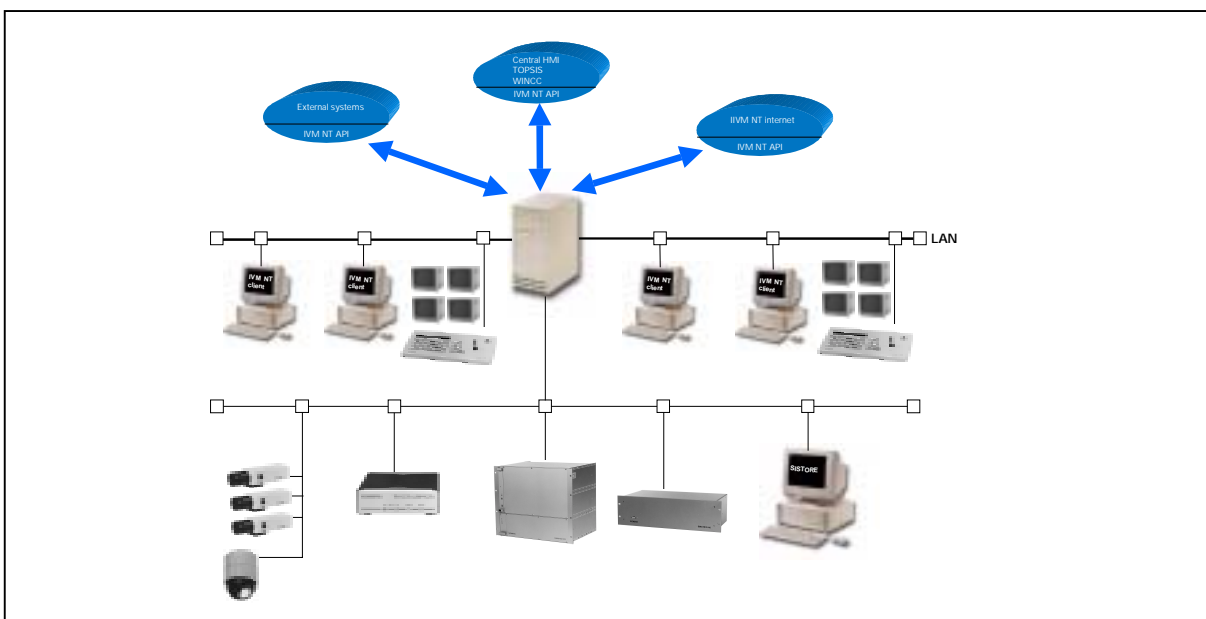
**IVM NT** is based on the proven Windows NT 4.0 operating system. The simple, intuitive operating and linking facilities for all Windows applications mean that **IVM NT** is an open system and suitable for integration.

## Features of the IVM NT

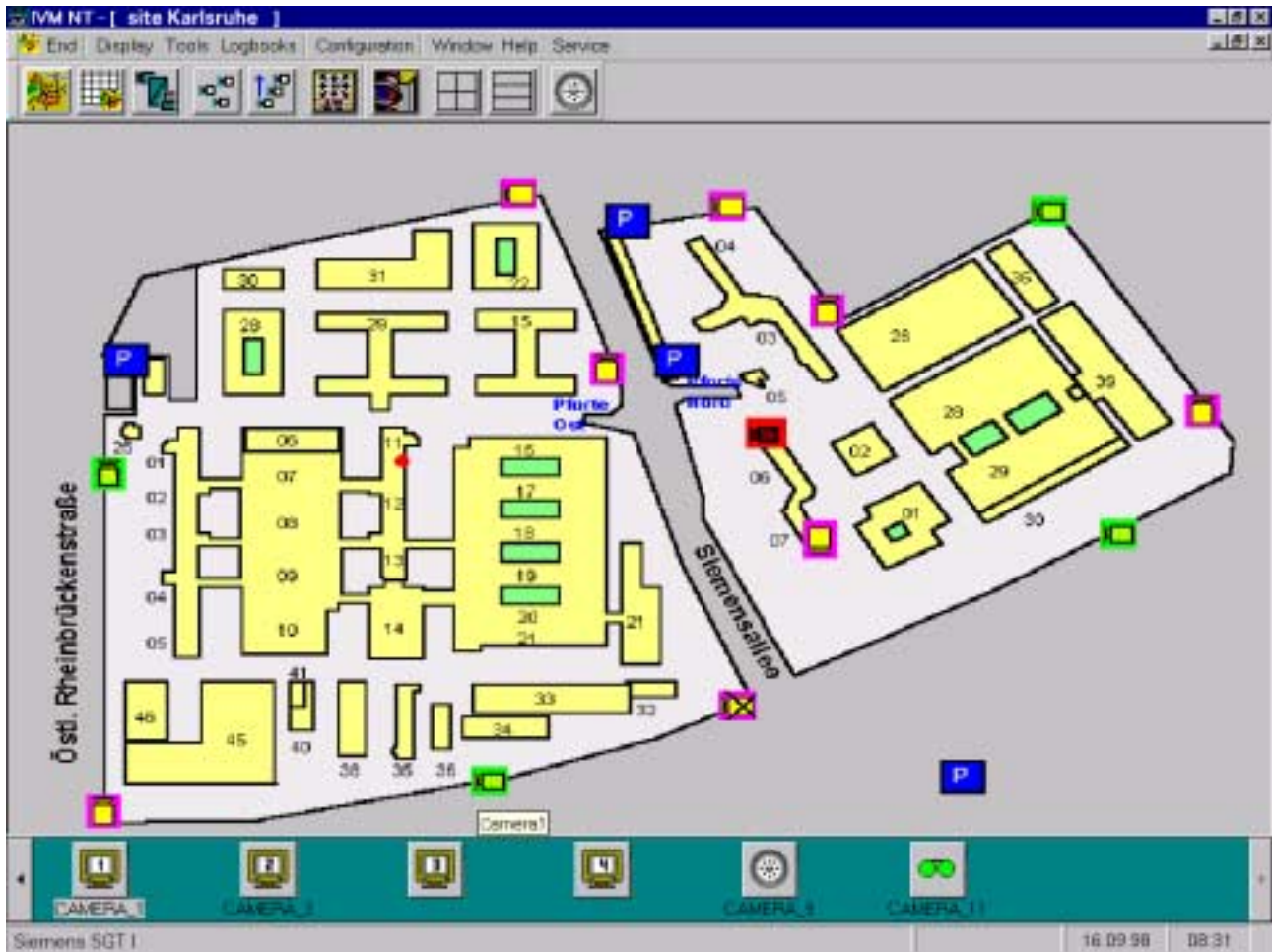
- Video control center as graphical PC terminal for operation, visualization, parameterization and control of system components.

SICOLOR digital video cameras	TELEMAT video sensor
SIMATRIX video matrix	TELSCAN digital video transmission system
SISTORE digital frame store	External systems

- Uniform, user-friendly, graphical user interface
- Efficient video monitoring with event control
- Modular design – universal applicability
- Client/server architecture – single-user and multi-user systems
- High flexibility with multi-user systems resulting from user-specific access privileges and alarm management



*System configuration IVM NT*



Graphical user interface of an IVM NT video control center

## Application

The visualization and recording of events is the current state-of-the-art for future-oriented security concepts. The pictures and data associated with an alarm permit the rapid initiation of measures appropriate to the situation.

The complete video management can be implemented using IVM NT, covering the generation of site plans, parameterization, and the visualization, selection and control of individual video components or external systems.

Event-controlled messages, alarms or process information from associated systems can be visualized, evaluated and documented via interfaces.

The unambiguous assignment of pictures provides the user with the following information on a message:

- Reason for message, from the recorded pictures and event data
- Development of danger, from the display of live pictures
- Picture and data documentation for the complete event

Application fields for video control centers:

- Object monitoring  
e.g. factory premises, prisons, public property, computer centers
- Logging of events  
e.g. access rights, cash dispensers
- Recording of events  
e.g. haulage contractors/loading ramp, warehouse movements
- Process monitoring  
e.g. baggage conveyor belts, production control
- Traffic monitoring  
e.g. jam detection, traffic flows

## Design

The **IVM NT** software package comprises the following components:

- **IVM NT Server**
- **IVM NT Client**
- **IVM NT Config Tool**
- **IVM NT API**
- **IVM NT Internet API**

### **IVM NT Server**

The **IVM NT Server** software handles the control of all system components, the administration of user privileges, and the alarm processing of the secondary control centers.

The **IVM NT** server software can be scaled as follows for different system configurations:

- **One SIMATRIX master control center**
- **Up to 31 SIMATRIX secondary control centers per line**
- **Connection of keyboards/input devices**
- **TELEMAT**
- **TELSCAN**
- **SISTORE**
- **Cameras**

System characteristics:

- **Open system architecture**
- **Database access via ODBC**
- **Optional server redundancy (interruption-free data integrity)**
- **Logbook function with stored event data and pictures**
- **Process optimization with time-controlled command processing, e.g. switching of alarm inputs to active/inactive (SIMATRIX, TELEMAT)**
- **Event-dependent control of video components**

### **IVM NT Client**

The **IVM NT Client** software is the graphical user interface of your system with the following features:

- **Individual, configurable user interfaces with several levels**
- **Access security using password levels and user profiles**
- **Interactive graphic selection and remote control via mouse/keyboard/input device**
- **Online language selection**
- **Graphic library for fast image configuring**
- **Live on-screen pictures**
- **Parameterizable scheduler functions**
- **Group switching**
- **Visualization following message, failure of video signal, camera switching etc.**
- **Operation and visualization of external systems, e.g. intrusion alarm system, WinCC, SICLIMAT**

### **IVM NT Config Tool**

The **IVM NT Config Tool** is a graphical user interface for configuring your system and has the following features:

- **Documentation of system data**
- **Individual telegram generation for communication (control) with external systems, can be operated from the IVM NT graphical user interface.**
- **Key functions of input devices**
- **Terminals with switching assignment**
- **Alarm management**

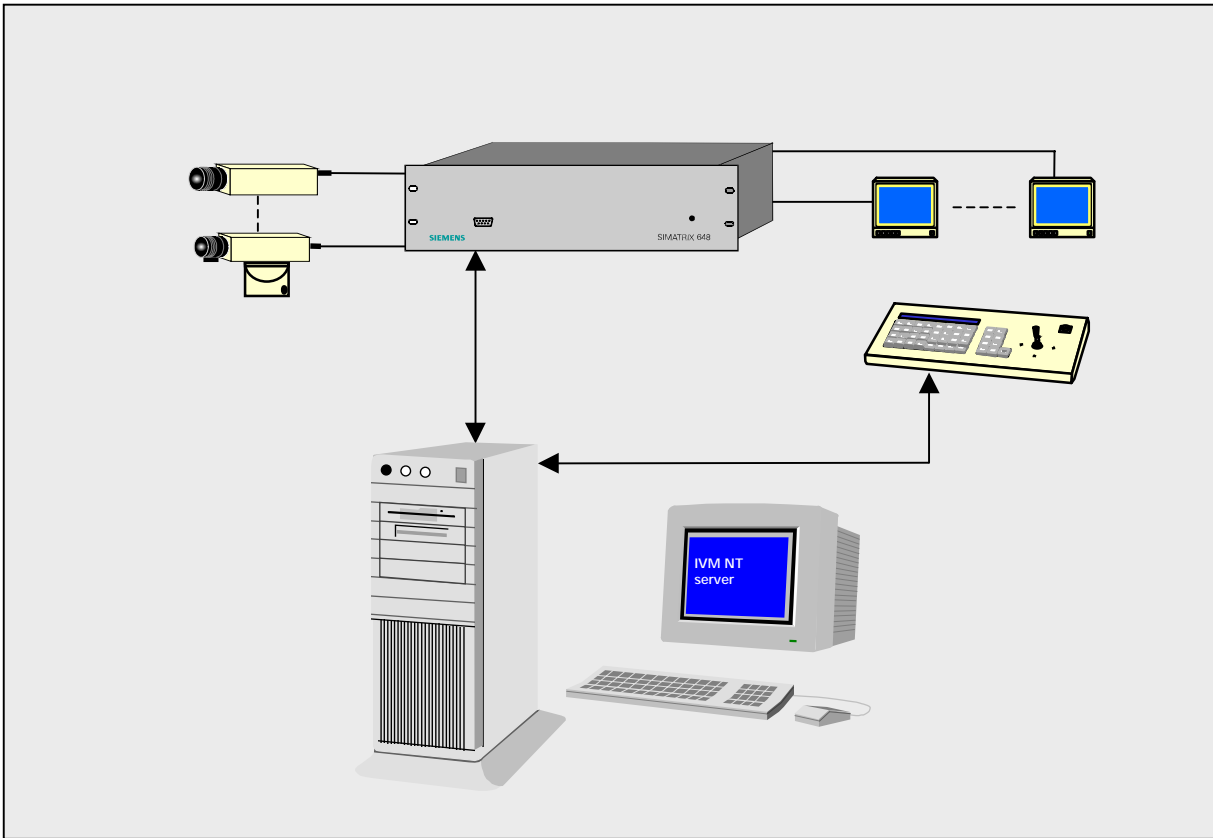
### **IVM NT API**

The **IVM NT API** is a standardized programming interface for generating own clients. The IVM NT client software is based on the **IVM NT API**. By connecting the IVM NT API and the database access via ODBC, the same functions are available in self-generated applications as in the IVM NT client.

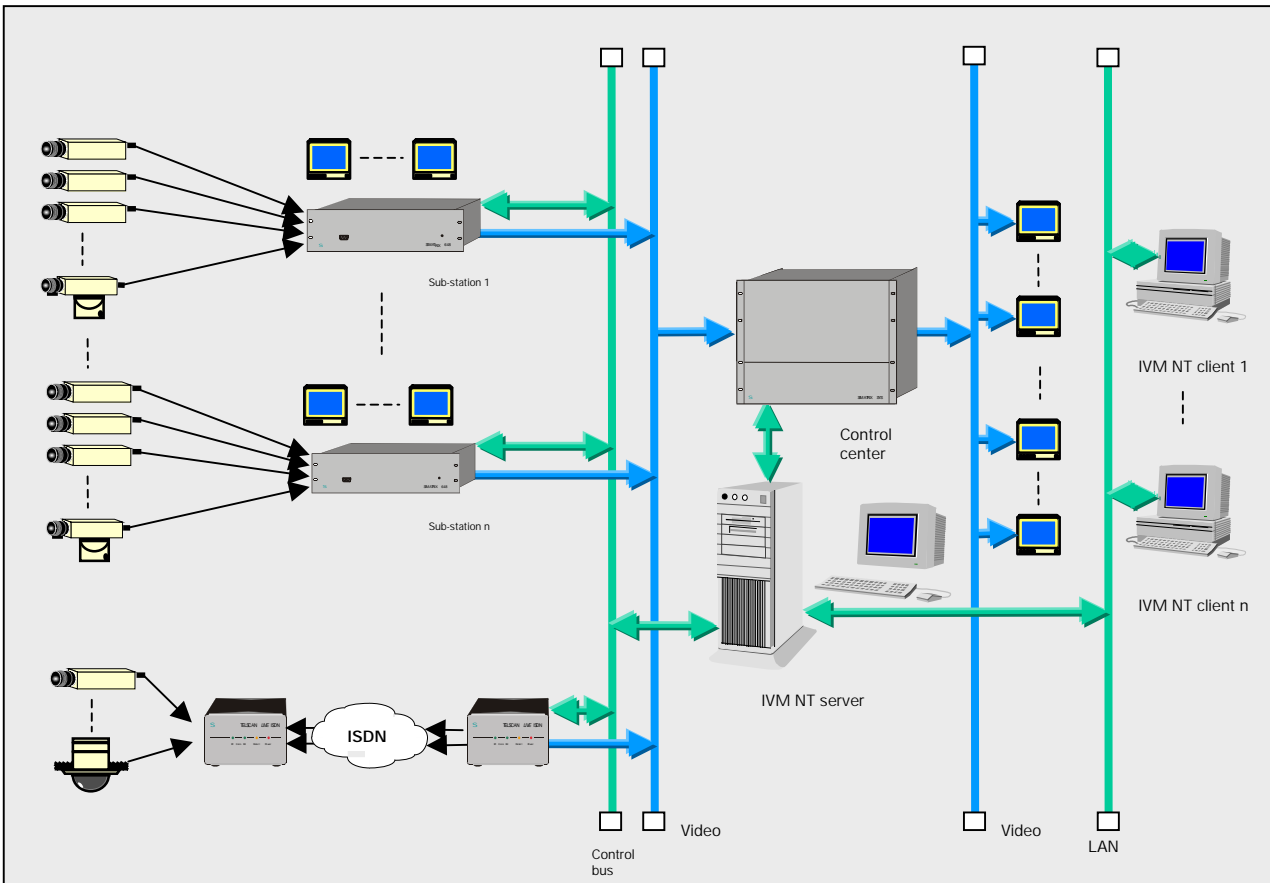
- **IVM NT API** is implemented as DLL or Active X (possible integration e.g. of WinCC)

### **IVM NT Internet API**

- **Internet connection with live picture transmission and control of cameras**



Example of a system with minimum configuration



Example of a system with extended configuration

## System requirements for IVM NT system

Recommendation:

Optimum utilization of the IVM system is guaranteed with a PC from the SCENIC range.

- Pentium III, at least 466 MHz
- at least 128 MB RAM
- Graphics card VGA 1024\*768, 4 MB
- IVM NT video overlay card
- Hard disk 4.3 GB
- Diskette drive 3½ inch, 1.44 MB
- CD-ROM drive
- MF2 keyboard, mouse
- Windows NT 4.0 operating system
- 17-inch monitor or 21-inch monitor
- Network card

## Ordering data

Designation	Order No.	Approx. weight in kg
<b>IVM NT video control center</b> consisting of server software, client software and configuring tool for visualization and control of the complete video system	<b>On request, depends on the system configuration</b>	
<b>IVM NT API</b>	<b>On request</b>	

Published by  
SGT Identifikationssysteme,  
CEVIS VIDEO SYSTEMS  
D-76181 Karlsruhe



This document may not be duplicated nor its contents used or communicated to others without express authority.

Delivery subject to availability; right of technical modifications reserved

**We are building security.**

**Division Cerberus**

---

**Siemens Gebäudetechnik GmbH & Co. oHG**

**Order- No. A24205-A336-A912-\*-7604**

Edition 06/99      CCTV PL-4  
PA 06991.5        E & B

Printed in the Federal Republic of Germany  
on environment-friendly chlorine-free paper