



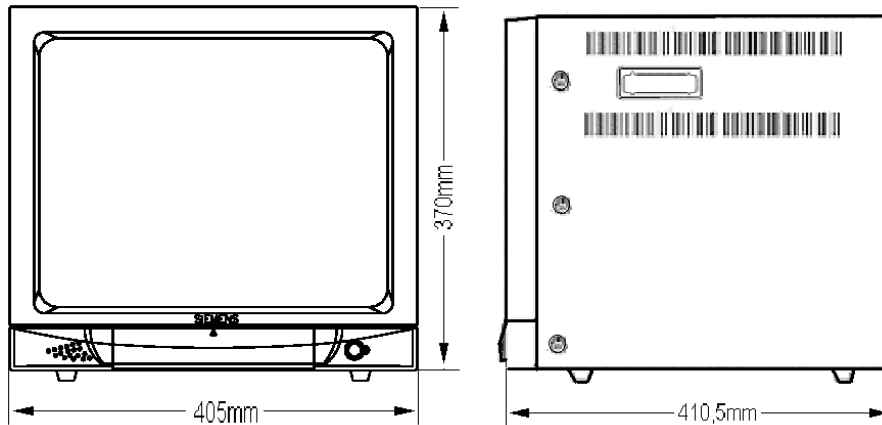
17" (44cm) Monochrome Monitor

CMCB1720

-
- Unique Siemens design
 - Corporate Design product.
 - A range that meets requirements of middle and standard range applications
 - CCIR / EIA auto-sensing
 - CE & UL Approval
 - A simple monochrome solution

The Siemens CMCB1720 monochrome video monitor is well suited to CCTV surveillance tasks where a cost effective solution is needed and good picture quality and monitor reliability are very important. Designed to fit in with the Siemens Corporate Product range the unit has the same design features as the other monitors in this range and will provide a professional finish to installations. The controls situated on the front panel are simple to operate. There are two BNC video input connectors and two BNC video output connectors on the rear panel of the unit. Termination switches on the rear panel will allow installers to correctly set the input impedances.

Dimension drawings



Technical data

Specifications

| | |
|-----------------------|--|
| TV Standard | CCIR / EIA |
| Cathode Ray Tube | Visible approx. 17" or 44cm |
| Horizontal resolution | ≥ 1000 lines at center of picture |
| H/V frequency | 15.625 kHz/50 Hz (CCIR) or 15.750 kHz/60Hz (EIA) |
| Video input signal | 1Vp-p |
| Video inputs | Two |
| Video termination | High impedance or 75Ω termination switch on rear panel |
| Audio input | Two |
| Power Switch | On/Off push button |
| Contrast control | Rotary potentiometer |
| Brightness control | Rotary potentiometer |
| Horizontal hold | Rotary potentiometer |
| Vertical hold | Rotary potentiometer |
| Linearity | H: 10% V: 10% |
| Temperature range | Operation 0°C-50°C |
| Humidity range | Operation 10%-85% |
| Case material | Steel |

Dimensions

| | |
|-----------------|---|
| Unit dimensions | 405mmx370,5mmx410.5mm (15,9"x14,6"x16.4") |
|-----------------|---|

Electrical

| | |
|-------------------|-------------------------|
| Input voltage | 100VAC-240VAC 50Hz-60Hz |
| Power consumption | 38 W |

Approvals

| | |
|--------------|----------------------------------|
| UL Approval | UL60950 |
| FCC Approval | FCC part 15, Subpart B |
| CE Approval | EN 55022:1998, EN 61000-3-2:2000 |

Order Information

| | |
|---|-------------|
| Monochrome monitor 17" / 44cm CMCB1720 | 2GF3034-8AA |
|---|-------------|