

# CCID1445

IP High-Speed Dome Cameras  
H.264, MPEG-4, MJPEG

**VANDERBILT**

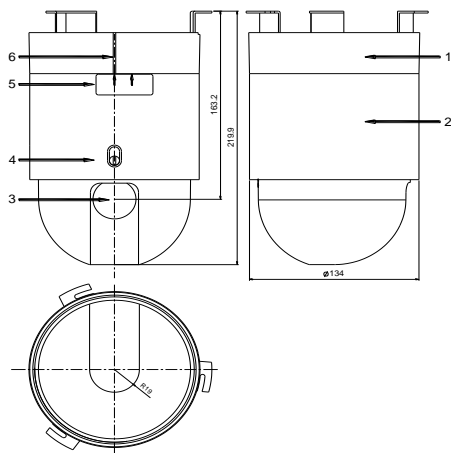


CCID1445 DN28  
CCID1445 DN36

H.264, MPEG-4 & MJPEG triple encoding functionality allows the use of the Vanderbilt IP high-speed dome cameras in almost every networking application. The Vanderbilt IP high-speed dome camera range includes three day/night models with exceptional low-light performance. A mechanically removable IR-cut filter allows the day/night dome cameras to provide excellent colour picture quality in day mode and IR-sensitive crisp, clear monochrome images at night. A wide range of accessories is available and will meet most installation requirements.

## Key Features include:

- H.264, MPEG-4 & MJPEG triple encoding
- Hybrid video: CVBS: up to 530 TV lines, network: D1, VGA, QVGA @ max. 25 ips
- Bidirectional monaural audio
- ONVIF protocol support
- High-speed dome camera (pan speed max. 400 °/s)
- D/N models support Wide Dynamic function
- Exceptional low-light sensitivity : 0.01 lux @ B/W (IR-sensitive)
- Up to 36x optical zoom (3.4 – 122.4 mm), 12x digital zoom
- Motion detection
- Object tracking
- Support of up to 5 video cropping areas
- 2 GB microSD card for local alarm recording
- 8 user-definable privacy zones
- Programmable tours and presets
- 4 alarm inputs with AAM function (Advanced Alarm Management)
- Proportional zoom speed
- 24 V AC power supply & PoE+
- Wide range of accessories



Legend	
1	Dome IP base
2	Dome head unit
3	Lens
4	Screw for cover
5	Positioning label
6	Notch

## Functionalities

	CCID1445-DN28	CCID1445-DN36
<b>Electrial</b>		
Power requirements	24 V AC $\pm$ 10 %, 50 Hz; PoE+	
	25 VA	
<b>Functional</b>		
Pan Speed	0.1 – 90.0 °/s Max. dig. zoom: 0.1 °/s Max. opt. zoom: 0.4 °/s	
Tilt Speed	0.1 – 45.0 °/s Max. dig. zoom: 0.1 °/s Max. opt. zoom: 0.4 °/s	
<b>CCID1445-DN28</b> <b>CCID1445-DN36</b>		
Present pan/tilt speed	Pan: max. 400 °/s Tilt: max. 200 °/s	
Speed control	Zoom-proportional: On/Off	
Pan travel	60° continuous rotation	
Tilt travel	Indoor: 85° Outdoor: 92°	
Pan/tilt limits	Indoor: 85° Outdoor: 92°	

---

## Functionalities

---

Zoom total	336x	432x
Auto flip		On/Off
Optical zoom	28x	36x
Digital zoom		12x
Zoom stop	28x, 56x, 112x, 224x, 336x	36x, 72x, 144x, 288x, 432x
Programmable presets		64
Programmable tours		4
Programmable privacy zones		8
Scan function	Selectable: random, frame or auto-scan	
Synchronisation	Internal: crystal External: line lock; phase adjustable	
Alarm inputs	4 (linked to definable functions)	
Alarm outputs	1 (NO/NC)	
Motion detection	Yes	
Object tracking	Yes	
Preset characters	Max. 20	

## Camera

Image sensor	1/4" Ex-View CCD	
Pixels	752 H x 582 V	
television standard	PAL, 625 lines, 50 fields, 25 frames, 2:1	
Interlace	Horizontal: 15.625 kHz	
Analogue video output	Vertical: 50 Hz	
Signal/noise ratio	1.0 Vpp, 75 $\Omega$	
Horizontal resolution	530 TV lines	
Minimum illumination	Col.: 0.7 lx (F1.4; 1/50 s) B/W: 0.01 lx (F1.4; 1/3 s)	Col.: 1.0 lx (F1.6; 1/50 s) B/W: 0.01 lx (F1.4; 1/3 s)
White balance control	ATW (2000 – 10000 °K), automatic (3000 – 7500 °K); one push	
	<b>CCID1445-DN28</b>	<b>CCID1445-DN36</b>
Automatic gain control	Yes	
AE compensation	Automatic, manual, BLC	
EV compensation	-10.5 to +10.5 dB (15 steps)	
Back light compensation (BLC)	On/Off	
Wide dynamic	On/Off	

---

## Functionalities

---

Shutter speed	Auto.: 1/1 – 1/10,000 s Manual: 22 steps	Auto.: 1/1 – 1/10,000 s Manual: 22 steps
Auto slow shutter	On/Off (max. 1.0 s)	
Focusing system	Automatic sensitivity: normal, low	
Focus type	Automatic / manual / interval / zoom trigger	
Day/night function	Mechanical IR-cut filter (automatic/off)	
Privacy zones	8, user-definable	
<b>Lens</b>		
Focal length	4.1 – 73.8 mm	3.5 – 98.0 mm
Angle of view	2.8 – 48.0°	2.1 – 55.8°
Maximum relative aperture	F1.4 – F3.0	F1.6 – F3.8
<b>Network</b>		
Network interface	10BASE-T / 100BASE-TX	
Image compression	MJPEG / MPEG-4 / H.264 (triple encoding)	
Resolution	MJPEG : D1(720 x 576) / VGA (640 x 480) / QVGA (320 X 240): max. 25 ips (PAL) MPEG-4: D1(720 x 576) / VGA (640 x 480) / QVGA (320 X 240): max. 25 ips (PAL) H.264 : D1(720 x 576) / VGA (640 x 480) / QVGA (320 X 240): max. 25 ips (PAL)	
Image quality setting	5 levels	
Protocols	TCP/IP, UDP, HTTP, HTTPS, SMTP, SNMP, DNS, DHCP, NTP, ARP, ICMP, FTPc, FTPs, DDNS, RTSP (RTP, RTCP), IGMP v3, UpnP, CIFS, NFS, IEC802.1x, ONVIF	
Security	Multiple password for admin, advanced and standard users	
Audio	2-way audio, monaural	
Alarm memory	Support of up to 2 GB microSD card (2 GB microSD card included at delivery)	
Web browser	Internet Explorer 6.0 (Service Pack 2 or above) / Safari / Mozilla FireFox	
Middle-ware	Active-X	
Concurrent user	Less than 20 clients by HTTP (depends on network conditions)	
<b>Mechanical / environmental</b>		
Dimensions (Ø x H)	134 x 220 mm	
	<b>CCID1445-DN28</b>	<b>CCID1445-DN36</b>
Ambient temperature, operating	0 – 50 °C (-30 to +50 °C with suitable weatherproof housing)	
Ambient temperature, storage	-20 to +60 °C	

---

## Details for ordering

---

Type	Part no	Designation	Weight*
CCID1445-DN28	V54561-C32-A1	1/4" IP High Speed Dome D/N 28x optical zoom	1.85kg
CCID1445-DN36	V54561-C33-A1	1/4" IP High Speed Dome D/N 36x optical zoom	1.85kg

---