



CCAW1427-LPOIR

High-Resolution, Autofocus Day/Night Camera With Integrated IR/White-Light Illuminator with 960H Technology



CCAW1427-LPOIR

The CCAW1427-LPOIR is a high-resolution (700 TVL) day/night camera with built-in autofocus zoom lens with max. 22x zoom with integrated illuminator. The camera is designed for outdoor use under variable lighting conditions. It is built into a compact and attractively styled weatherproof housing with sunshield incorporated.

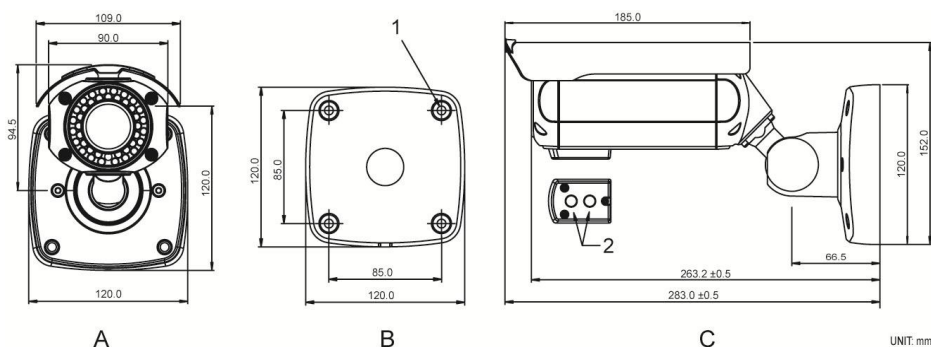
All the camera settings such as white balance, exposure settings, setting of back light compensation (BLC), Line-Lock synchronisation or digital noise reduction are done via the OSD menu. Each camera can have an individual camera name assigned to it. It is possible to specify via the on screen display menu which text and which detailed information is to be displayed in the video image.

The camera offers the option to be switched from colour to BW operation by means of an external switch. Various parameters of the camera can be superimposed in the video image.

The camera can be controlled and programmed with the Siemens SCU protocol, the Bewator-Molynx protocol, or the Pelco protocol via the built-in RS485 interface.

The camera parameters can be set using the control unit supplied with the camera.

- Day/Night (D/N) high-resolution
- Wide dynamic range (WDR)
- Digital noise reduction (DNR)
- Auto exposure (AE)
- Back-light compensation (BLC)
- Digital zoom (D-Zoom)
- Day/Night switching (D/N)
- Freeze
- Digital slow shutter (DSS)
- Digital image stabilizer (DIS)
- Automatic white balance (AWB)
- Automatic gain control (AGC)
- On-screen menu (OSD)
- Negative/Positive switching (NEGA/POSI)
- E function (H/V flip, rotation)
- Motion detection
- Privacy masking
- Zoom preset and tour function
- Home preset



Legend

- 1 Mounting holes \varnothing 6.4 (4x)
- 2 1/4-inch 20 UNC female thread (2x)
- A Front view
- B Rear view
- C Side view

■ Technical data

CCA W1427-LPOIR

Electrical

Power source	12 V DC / 24 V AC, 0.75 A, 50 Hz
Heater power	24 V AC / 0.84 A, 50 Hz

General

Image sensor	1/4-inch SONY 960H SUPER HAD CCD II
Pixels	1028 (H) x 596 (V)
Scanning system	2:1 interlace
Scanning frequency	15.625 kHz (H), 50 Hz (V)
Synchronization	Internal/external: line lock
Horizontal resolution	Colour: 700 TV lines
Min. illumination	Colour: 0.1 lux B/W: 0.01 lux Slow shutter: 0.00001 lux F=1.6 (AGC on, 50 IRE video output)

Video output	1.0 Vpp (75 Ω , composite)
Signal/noise ratio	50 dB (AGC off)

Functions

Wide dynamic range (WDR)	On/Off/Level (48dB)
Back light compensation (BLC)	Off/HLC/BLC/BLC-M
Day/night	Colour/BW/Auto
Motion detection (MD)	On/Off (Area/Sensitivity)
Slow-speed shutter	2x – 512x
Digital noise reduction (DNR)	2D/3D
Privacy masking (PM)	Max. 16 zones, mosaic function
White balance (WB)	AWB/WAWB/Indoor/Outdoor/Manual/CRS (Colour Rolling Suppression)
Auto exposure (AE)	Auto1/Auto2/Shutter Priority/Manual
Automatic gain control (AGC)	MIN/LOW/MID/HIGH (max. 30 dB)
Shutter speed	Normal: 1/100.000
Title	A – Z / 0 – 9
Display	On/Off/Push On
Brightness	Adjustable in steps from 10 – 50

CCAW1427-LPOIR

Sharpness	Adjustable in steps from 0 – 15
Zoom presets	10
Zoom tour	1 tour / 10 presets
Alarm mode	On/Off/Dwell Time
Remote configuration	RS-232: Siemens B RS-485: Siemens S; Molyntx; Pelco D, P AD Key
BPS	2400/4800/9600/19200
Camera ID	1 – 255
Effect	Sharpness, Nega/Posi, D-FLIP, Freeze, HI-RES, 2-3 DNR
Home preset	Off/Home Preset Select/Dwell Time
Lens	
Focus mode	Auto/Manual/Push AF
Distance	0.1 m/1.0 m/1.5 m/2.5 m/6.0 m
Total zoom	22x optical zoom, 16x digital zoom (video AF)
Focal length	3.9 – 85.8 mm
Aperture	F1.6 (wide-angle) – F3.7 (tele)
Angle of view	Horizontal: 49.5° (wide-angle) – 2.6° (tele)
Connections and environmental conditions	
Power input	2-pin cable
Video output	BNC connector / TP output
Ambient temperature (operating)	Without heater: -10 to +50 °C With heater: -30 to +50 °C
Relative humidity	0 – 96% (non-condensing)
Ambient temperature (storage)	-20 to +60 °C
Weight	1,50 kg
Protection rating	IP66
TP output	
Video output	Adjustable: 2.0 Vpp, 2.6 Vpp, 3.2 Vpp
Frequency accentuation	Adjustable: 0 dB, 6 dB, 9 dB, 12 dB

■ Details for ordering

Type	Part number	Designation	Weight
CCAW1427-LPOIR	S54561-C116-A100	¼-inch Camera D/N WD AF IR	1,50 kg
CCAA-JB01	S54561-C51-A1	Installation box for CCAx1425/1417/1427	0.85 kg

The information in this document contains general descriptions of technical options available, which do not always have to be present in individual cases. The required features should therefore be specified in each individual case at the time of closing the contract.

© Siemens AB • Document no. C-300197 • Edition: 03.2014