



SISTORE AX8 / AX16

Digital Video Recorder

AX8 250/100
AX16 250/100

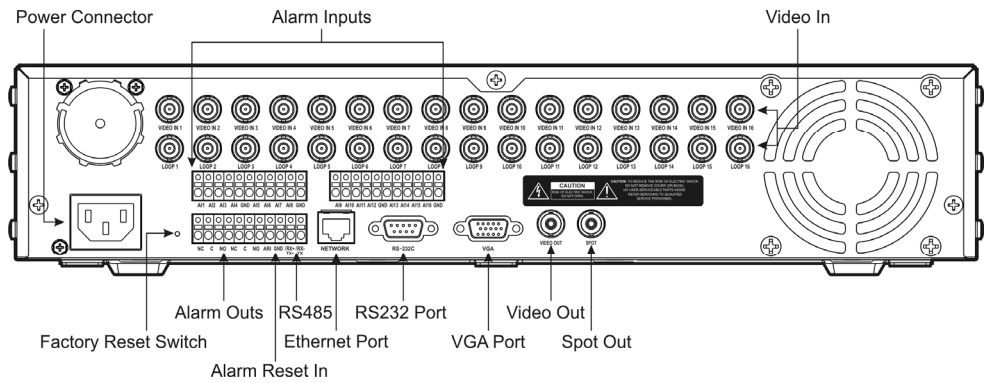
- Efficient video compression through “MPEG4 technology”
- Easy-to-use graphical interface, including RAS remote software
- Recording speed up to 100 Images per Second (120 for NTSC)
- Operation and configuration locally via front buttons and mouse, or remotely via included RAS software
- 1 Spot monitor output
- Individual authorization for groups and users
- Text input interface, e. g. to connect ATM (Automatic Teller Machine) or POS (Point of Sales) devices
- Dual Encoding: Flexible transfer speed when transmitting over the network
- Time synchronization using industry standard protocol
- Support of VSS SDK interface for the integration into a higher-level system (e.g. Video Software IVM or access control system SiPass)
- Support of 10 languages (EN, DE, FR, IT, ES, PT, NL, DA, SV, PL)

SISTORE AX is a stand-alone DVR (Digital Video Recorder), suitable for a wide range of applications, e.g. for gas filling stations, retail outlets or public buildings. It offers installers and end-users a flexible, low-maintenance video recording system, combining fast recording with a great deal of functionality.

Various network interfaces, e.g. Ethernet, DSL or modem, allow remote access to the system. Monitoring of live images, playback of recorded video sequences, remote configuration and upgrade, system check and PTZ control is possible via RAS software.

Copy video clips to an internal DVD writer or external USB device, no special software required for the review of the video clips on a PC. Chained Fingerprint enabling a solid chain of evidence prevents the images from being altered or modified.

Connection diagram



Technical data

Monitoring

Video inputs Composite: 8/16 Looping, BNC, PAL/NTSC (auto detection)

Video outputs Composite: 1 x Video, 1 x SPOT
1 x VGA: 800x600 @ 60Hz

In / Out

Alarm inputs 8/16 TTL, programmable as NC or NO, 4.3V threshold

Alarm outputs 2 relay outputs, terminal blocks, programmable as NC or NO,
0.5 A @ 125 V AC, 1 A @ 30 V DC

Alarm reset input 1x TTL, terminal block

Network Ethernet (10/100 BaseT), DSL, external modem

Auxiliary In / Out RS232C, RS485, 2 x USB 2.0

User interface Front buttons, mouse, remote keyboard

User administration 64 groups, 256 users/group (access right programmable per group)

Record & Playback

Compression MPEG4 Technology (Video)

Recording speed Up to 100 ips PAL (up to 120 ips NTSC)

Recording resolution CIF, 2CIF

Recording mode Time-Lapse, Event, Pre-Event (up to 30 min), Text-In, Panic

Search mode Date/Time, Calendar, Event, Motion, Museum, Text-In

System

Operating System Embedded Linux (built-in Flash Memory)

Storage Internal: 250 GB, extensible with two 250 GB extension kits

Data Export Built-in DVD writer, USB (HDD, CD writer, FlashDrive)

Disk Management Temperature check, SMART diagnosis, auto database recovery,
operation without hard disk drive, auto deletion

Specifications

Power supply 100 – 240 V AC, 2 A, 50/60 Hz

Power input Max. 80 W (100 W when 3 hard disk drives are installed)

Operating temperature 5 – 40 °C (41 – 104 °F)

Relative Humidity 0 – 90%

Version 19-inch rack, 2 rack units

Dimensions (W x H x D) 430 x 88 x 405 mm (16.9" x 3.5" x 15.9")

Approvals CE, UL, FCC, C-Tick, RoHS

Details for ordering

Type	Part no.	Designation	Weight
SISTORE AX8 250/100	2GF4816-8HA	SISTORE AX8, 250 GB, 100 ips	10.2 kg
SISTORE AX16 250/100	2GF4816-8JA	SISTORE AX16, 250 GB, 100 ips	10.2 kg
AXHDE	2GF4816-8BA	SISTORE AX HDD extension kit, 250 GB	1.5 kg