



AR6641-RX, AR6641-MT

Access Control

Card reader

Access control for contact less reading technologies in 125kHz and 13,56MHz frequency

- For Access Control applications
- Stand-alone operation
- 4 Digital Inputs, 1 Relay Output

The card readers types AR6641-RX/-MT are part of the prestige series in the new Access reader design. They are specially designed for access control applications in combination with the access control system SIPORT NT / SIPORT NT light.

The readers are capable of stand-alone operation and dispose of an own RAM-memory for storage of badge data and access events. They are equipped with integrated door control functionality.

Connection to the SIPORT system can either be via an RS485-interface or via an LAN-adapter, which can be integrated into the reader.

The Prestige readers are available equipped with reading modules for contact less standard technologies in 125 kHz (Miro, CerPass Proximity, Hitag 1 and Hitag 2) and 13.56 MHz frequency (ISO14443A - Mifare® and my-id proximity).



Industrie Forum Design, Hannover
IF Design Award Winner 2001



AR6641-RX/-MT card reader for contact less reading technologies (125kHz und 13,56MHz)

- Card reader for access control
- Designed for the access control and time recording systems SIPORT NT Access / Time-Recording and SIPORT NT Light
- 3 LEDs (yellow, red, green) for status display
- Stand-alone reader with integrated door control functionality
- Battery buffered memory (128 kB) for storage of badge data and access profiles as well as bookings and alarm in offline operation.
Option: Memory expansion to 512 kB.
- 4 digital inputs for door monitoring (door contact, access completed signal, door handle contact, REX-button connection)
- Relay output for connection of door opener
- Reader firmware can be downloaded from the SIPORT system via reader LAN interface
- Connection to SIPORT system via RS485-interface or via an optional LAN-adapter (pluggable MNET-module) that can be integrated into the reader
- BPA9+ reader protocol
- Sabotage contact
- "Touch and Go" operation

AR6641-RX (125kHz)

- 125 kHz technology
- Reading of unique ID number of contact less Miro, Hitag1 and Hitag2 cards as well as the code of CerPass Proximity cards
- Reading of personalised ID-number of Hitag1 and Hitag2 cards (Hitag2 is always operated in password mode)
- Reading distance up to 7 cm, depending on installation surroundings¹

AR6641-MT (13,56MHz: ISO14443A)

- 13,56 MHz technology
- Reading of unique ID-number of contact less ISO14443A - Mifare® and my-id proximity (SLE55R04, SLE55R16) cards
- Reading of personalised ID-number of Mifare® (data in sector/blocks of the Mifare® chip) and my-id proximity cards (SLE55R04, SLE55R16; data in public data blocks)
- Reading distance up to 5 cm, depending on installation surroundings¹

Compatibility

By use of the reader interface RS-485 with BPA9+ reader protocol.

	CerPass CC30xx	SiPass DRI	SIPORT		
			DC2000	AC4000	K24
AR6641-RX					
AR6641-MT	-		✓	✓	✓

¹ Depending of the used transponders (size, assembly) a decrease of the reader's range is possible.

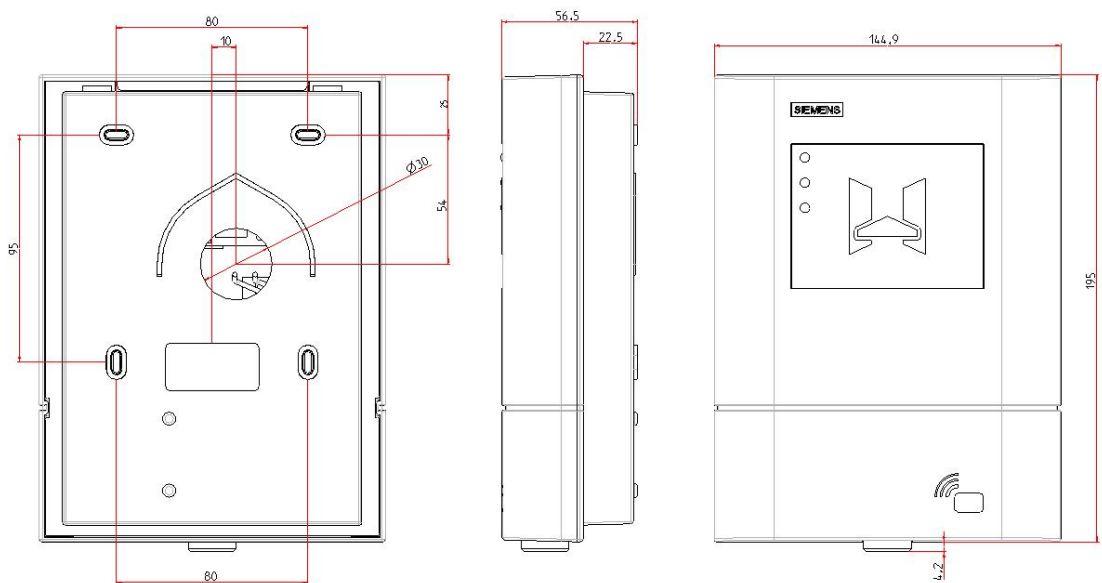
Installation

Recommended for wall installation on even surface. For installation and connection please follow the instructions of the operating manual.

A wall-mounting bracket with a 15° angle is available as an option.

Dimensions (in mm)

AR6641-xx



Technical data

Power supply	12 - 24 V AC/DC (10,2 – 27,6V)
Current consumption	Approx. 300 mA (max. 5W)
Interfaces	
RS-485	BPA9+ reader protocol
Operating temperature	-20 to +60 °C
Relative humidity	95% (non condensing)
Protection class	IP54, IP65 with gasket
Standards	CE
Dimensions in mm (h x w x d)	195 x 150 x 56
Colour	similar RAL9006, white aluminium
Material	PC / ABS plastic (injection moulding), varnish

Details for ordering

Type	Part no	Designation	Weight
AR6641-RX	6FL7172-8BA	AR6641-RX – contact less reader for access control, stand-alone capability, memory 128kbytes, 3 LEDs for status display, for card technologies Miro, CerPass Proximity, Hitag1 and Hitag2 (125kHz), including separate power supply in aluminium housing	1.30 kg
AR6641-MT	6FL7172-8BD	AR6641-MT – contact less reader for access control, stand-alone capability, memory 128kbytes, 3 LEDs for status display, for card technologies ISO14443A Mifare® and my-id proximity (SLE55R04/16, 13.56MHz), including separate power supply in aluminium housing	1.30 kg
	6FL7195-3QC02-1EN0	Miro card, white, blank (100 pcs.)	
	6FL7195-3AU02-1EN0	Hitag1 card, white, blank, uncoded (100 pcs.)	
	GBQ:507024	DZ3022 proximity card, white, blank	
	6FL7195-3VU02-1DN0	Mifare® card, white, blank, uncoded (100 pcs.)	
AR6600-ME	6FL7172-8DF	Memory expansion for Prestige readers AR6641-xx and AR6643-xx	
ARZ6600-HZ	6FL7172-8DB	Heating, 12Volt, 20W (necessary within outdoor installations)	0.3 kg
	6FL7163-8AN	Power supply for heating ARZ6600-HZ	0.7 kg
ARZ6600-W1	6FL7172-8DD	Wall-mounting bracket 15° angle for reader AR6543-xx, AR664x-xx, Zincor steel, varnished	0.2 kg
	6FL7045-8BA	MNET-Module, pluggable LAN-adapter for reader AR664x-xx	0.2 kg

Issued by
Siemens Gebäudesicherheit GmbH & Co. oHG
D-76187 Karlsruhe

www.sibt.de

© 2003 Copyright by
Siemens Building Technologies AG
Data and design subject to change without notice.
Supply subject to availability.

Printed in the Federal Republic of Germany
on environment-friendly chlorine-free paper.

Document no. **A24205-A335-B087**
Edition 09.2003