

IP Open Standards Outdoor Cameras

Dome and bullet cameras with motorized varifocal lens technology



OVERVIEW

TruVision® IP and IP Megapixel Open Standards outdoor dome and bullet cameras bring state-of-the-art, high-definition images to the mass video surveillance market. Designed to adhere to PSIA and ONVIF open communication standards, these cameras also support a CGI command set for simple integration into any IP system. VGA, 1.3, 3 and 5MPx resolution options provide the flexibility for a wide variety of applications.

Featuring innovative motorized varifocal lens technology, TruVision cameras allow the user to remotely adjust the varifocal lens length and focus the camera with the touch of a button. H.264 compression with dual-streaming capability makes it easy to manage the camera's bandwidth usage.

An integrated browser and micro SD memory card storage capabilities (dome models) simplify remote, live monitoring/playback of edge-recorded video and audio. Memory card recording protects data in the event of network disruptions.

STANDARD FEATURES

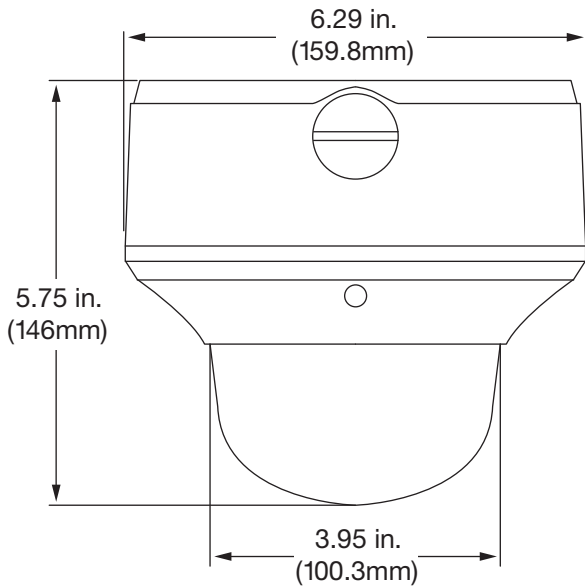
- VGA, 1.3, 3 and 5MPx resolution options
- Motorized varifocal lens technology provides remote autofocus
- Designed to PSIA and ONVIF open standards
- Select models feature WDR and/or real-time video streaming up to 1080p resolution to capture every detail
- H.264 compression technology with dual-streaming capability accommodates multiple settings
- Dome models feature edge recording up to 32GB micro SD card for video playback (card not included)
- All models offer true day/night functionality and infrared illuminators for capturing images in various lighting scenarios
- Integrated motion detection and privacy masking
- IP66 vandal-resistant housings
- Dome models feature integrated heater for low-temperature operation
- Included TruVision Device Finder program provides fast and easy access to newly added system devices

Application

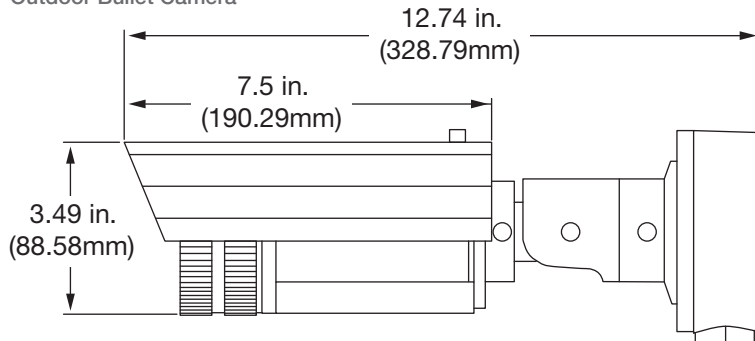
TruVision® IP and IP Megapixel outdoor cameras are specifically designed for applications that require high-quality IP images. When paired with IP devices, these cameras provide ideal surveillance for environments such as retail, banking, education, airports or gaming, where detailed image capture is critical for effectively monitoring people and transactions.

Dimensional Diagrams









Outdoor Vandal Dome



Outdoor Bullet Camera



Specifications

PART NO.	TVD-N225E-2M-N (-P)	TVD-M1245E-2M-N (-P)	TVD-M3245E-2M- N (-P)	TVD-M5225E-3M- N (-P)	TVC-N225E-2M-N (-P)	TVC-M1245E-2M-N (-P)	TVC-M3245E-2M- N (-P)	TVC-M5225E-3M- N (-P)
Description								
Sensor Size	1/4"	1/3"	1/3"	1/2.5"	1/4"	1/3"	1/3"	1/2.5"
Resolution	VGA	1.3 MPx	3 MPx	5 MPx	VGA	1.3 MPx	3 MPx	5 MPx
Sensor Scan	Progressive Scan							
Sensor Type	CMOS							
IP Compression/ Standard	H.264/MPEG4/MJPEG							
Maximum Resolution (@ FPS)	640 x 480 (25/30fps)	1280 x 960 (25/30fps)	2048 x 1536 (12.5/15fps)	2560 x 1920 (6.25/7.5fps)	640 x 480 (25fps)	1280 x 960 (25fps)	2048 x 1536 (12.5/15fps)	2560 x 1920 (6.25/7.5fps)
Maximum Real-Time Resolution	640 x 480	1280 x 960	1920 x 1080	1920 x 1080	640 x 480	1280 x 960	1920 x 1080	1920 x 1080
HD 720p	No	Yes	Yes (HD1080P)	Yes (HD1080P)	No	Yes	Yes (HD1080P)	Yes (HD1080P)
Composite Output (BNC)	Yes	Yes	Yes	Yes	No	No	No	No
Digital S/N Ratio	60dB	68.3dB	60dB	60dB	60dB	68.3dB	60dB	60dB
Electronic Shutter	1/25s to 1/100,000s 1/30s to 1/100,000s							
Certification	CE/FCC/UL							
Wide Dynamic Range	No	WDR	WDR	No	No	WDR	WDR	No
WDR in dB	N/A	120dB	120dB	N/A	N/A	120dB	120dB	N/A
Digital Noise Reduction	2D	3D	3D	2D	2D	3D	3D	2D
Day/Night	IR cut filter with auto switch							
Motorized IR Cut Filter	Yes							
Color Sensitivity	0.01Lux @ (F1.2, AGC On)			0.6Lux @ (F1.2, AGC On)	0.01Lux @ (F1.2, AGC On)			0.6Lux @ (F1.2, AGC On)
B/W Sensitivity	0.01Lux @ (F1.2, AGC On)							
IR Sensitivity	0 Lux with IR							
IR Range	10 meters				25 meters			
IR Wavelength	850nm							
B/W Trigger	3 Lux							
IR Trigger	3 Lux							
Camera Type	Dome Camera				Bullet Camera			
IP Rating	IP66							
Outdoor	Yes							
Rugged	Yes							
Vandal Resistant	Yes				No			
Control Type	Motorized							
Focal Length	2.8 - 12mm @ F1.2	2.7 - 9mm @ F1.6	2.7 - 9mm @ F1.6	3.5 - 9mm @ F1.6	2.8 - 12mm @ F1.2	2.7 - 9mm @ F1.6	2.7 - 9mm @ F1.6	3.5 - 9mm @ F1.6
Autoiris	DC Drive							
Varifocal	Yes							
Zoom Lens	4.26	3.33	3.33	2.57	4.26	3.33	3.33	2.57
Autofocus	Yes							
Voltage Input	24VAC				12VDC			
Power Consumption	Max. 24W				Max. 12W			
PoE	High PoE (802.3at)				PoE (802.3af)			
ONVIF	Yes							
PSIA	Yes							
CGI	Yes							
Network Protocols	TCP/IP, HTTP, DHCP, DNS, DDNS, RTP, RTSP, PPPoE, SMTP, NTP							
Media	Built-in Micro SD				No			
Capacity (micro SD card not included)	32 GB				No			
Motion Detection	Yes							
Privacy Masking	Yes							
Dimensions	6.29 x 5.75 in. (159.8 x 146mm)				3.86 x 3.49 x 12.94 in. (98 x 88.58 x 328.798mm)			
Weight	2100 g (4.63 lbs)				1700 g (3.75 lbs)			
Operating Temp.	-50°C to 60°C (-58°F - 140°F) with heater*				-30°C to 60°C (-22°F - 140°F)			
Operating Temp. (Cold Start)	-40°C to 60°C (-40°F - 140°F) with heater and fan on*				-10°C to 60°C (-14°F - 140°F)			

*Domes with heaters require 24VAC or PoE+ (802.3at) power input for heaters to function. Standard PoE (802.3af) can be used if heater function is not required.

IP Open Standards Outdoor Cameras

North America
T 855-286-8889

Asia
T 852-2907-8108

Australia
T 61-3-9239-1200

Europe
T 32-2-725-11-20

Latin America
T 561-998-6114

Dome and bullet cameras with motorized varifocal lens technology

Ordering Information

TVD-N225E-2M-N	TruVision® VGA IP Open STD, Progressive Scan CMOS Outdoor Vandal Dome, True D/N, 2.8-12mm Motorized AI, IR LED, ONVIF/PSIA, NTSC Out, PoE/PoE+/24VAC, Micro SD Card Slot, Heater
TVD-N225E-2M-P	TruVision VGA IP Open STD, Progressive Scan CMOS Outdoor Vandal Dome, True D/N, 2.8-12mm Motorized AI, IR LED, ONVIF/PSIA, PAL Out, PoE/PoE+/24VAC, Micro SD Card Slot, Heater
TVD-M1245E-2M-N	TruVision 1.3MPX WDR IP Open STD, Progressive Scan CMOS Outdoor Vandal Dome, True D/N, 2.7-9mm Motorized AI, IR LED, ONVIF/PSIA, NTSC Out, PoE/PoE+/24VAC, Micro SD Card Slot, Heater
TVD-M1245E-2M-P	TruVision 1.3MPX WDR IP Open STD, Progressive Scan CMOS Outdoor Vandal Dome, True D/N, 2.7-9mm Motorized AI, IR LED, ONVIF/PSIA, PAL Out, PoE/PoE+/24VAC, Micro SD Card Slot, Heater
TVD-M3245E-2M-N	TruVision 3.0MPX WDR IP Open STD, Progressive Scan CMOS Outdoor Vandal Dome, True D/N, 2.7-9mm Motorized AI, IR LED, ONVIF/PSIA, NTSC Out, PoE/PoE+/24VAC, Micro SD Card Slot, Heater
TVD-M3245E-2M-P	TruVision 3.0MPX WDR IP Open STD, Progressive Scan CMOS Outdoor Vandal Dome, True D/N, 2.7-9mm Motorized AI, IR LED, ONVIF/PSIA, PAL Out, PoE/PoE+/24VAC, Micro SD Card Slot, Heater
TVD-M5225E-3M-N	TruVision 5.0MPX IP Open STD, Progressive Scan CMOS Outdoor Vandal Dome, True D/N, 3.5-9mm Motorized AI, IR LED, ONVIF/PSIA, NTSC Out, PoE/PoE+/24VAC, Micro SD Card Slot, Heater
TVD-M5225E-3M-P	TruVision 5.0MPX IP Open STD, Progressive Scan CMOS Outdoor Vandal Dome, True D/N, 3.5-9mm Motorized AI, IR LED, ONVIF/PSIA, PAL Out, PoE/PoE+/24VAC, Micro SD Card Slot, Heater
TVC-N225E-2M-N	TruVision VGA Open STD, Progressive Scan CMOS Outdoor Bullet, True D/N, 2.8-12mm Motorized AI, IR LED, ONVIF/PSIA, NTSC Frame Rate, PoE/12VDC
TVC-N225E-2M-P	TruVision VGA IP Open STD, Progressive Scan CMOS Outdoor Bullet, True D/N, 2.8-12mm Motorized AI, IR LED, ONVIF/PSIA, PAL Frame Rate, PoE/12VDC
TVC-M1245E-2M-N	TruVision 1.3MPX WDR IP Open STD, Progressive Scan CMOS Outdoor Bullet, True D/N, 2.7-9mm Motorized AI, IR LED, ONVIF/PSIA, NTSC Frame Rate, PoE/12VDC
TVC-M1245E-2M-P	TruVision 1.3MPX WDR IP Open STD, Progressive Scan CMOS Outdoor Bullet, True D/N, 2.7-9mm Motorized AI, IR LED, ONVIF/PSIA, PAL Frame Rate, PoE/12VDC
TVC-M3245E-2M-N	TruVision 3.0MPX WDR IP Open STD, Progressive Scan CMOS Outdoor Bullet, True D/N, 2.7-9mm Motorized AI, IR LED, ONVIF/PSIA, NTSC Frame Rate, PoE/12VDC
TVC-M3245E-2M-P	TruVision 3.0MPX WDR IP Open STD, Progressive Scan CMOS Outdoor Bullet, True D/N, 2.7-9mm Motorized AI, IR LED, ONVIF/PSIA, PAL Frame Rate, PoE/12VDC
TVC-M5225E-3M-N	TruVision 5.0MPX IP Open STD, Progressive Scan CMOS Outdoor Bullet, True D/N, 3.5-9mm Motorized AI, IR LED, ONVIF/PSIA, NTSC Frame Rate, PoE/12VDC
TVC-M5225E-3M-P	TruVision 5.0MPX IP Open STD, Progressive Scan CMOS Outdoor Bullet, True D/N, 3.5-9mm Motorized AI, IR LED, ONVIF/PSIA, PAL Frame Rate, PoE/12VDC



interlogix.com

Specifications subject to change without notice.

© 2013 Interlogix.
All rights reserved.
Interlogix is a part of UTC Climate, Controls & Security,
a unit of United Technologies Corporation.
304-3653 2013/05 (74569)