

Advanced Jaw Design

Unique patented roller reduces friction from Pullman latch

High Security

Stainless steel body and roller striker 1000lb holding force

Low Current Consumption

175mA - 12v DC continuous ($\pm 15\%$)
88mA - 24v DC continuous ($\pm 15\%$)

Compact Shallow Body

27mm overall depth

Dual Monitoring as Standard

Solenoid and latch bolt
3 amp change over contacts

Patented Locking System

Shear line technology - incorporating 3 case hardened pins

Fire Safety

3 hour fire rating

Easy Installation

Stick on / peel off template

Spares

Solenoid kits - 12v DC and 24v DC
Replacement pin kits

Approvals

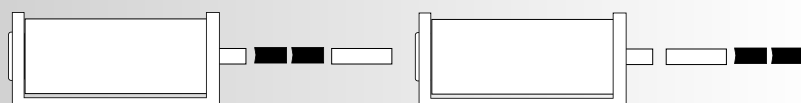
UL1034 (highest level) Tested to 1 million cycles
CE - BS EN 50081-1 and BS EN 50082-2



The TRIMEC ES2600 series High Security strike is designed for use with Pullman Latch Exit Devices fitted to emergency exit doors. The ES2600 is used in conjunction with an access control system where a door is fitted with an Exit Device requiring access control from the secure side.

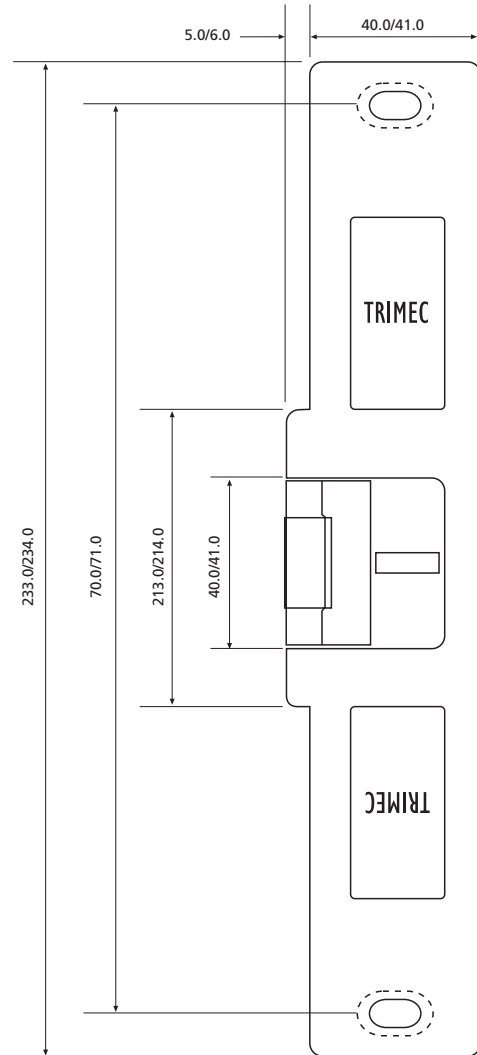
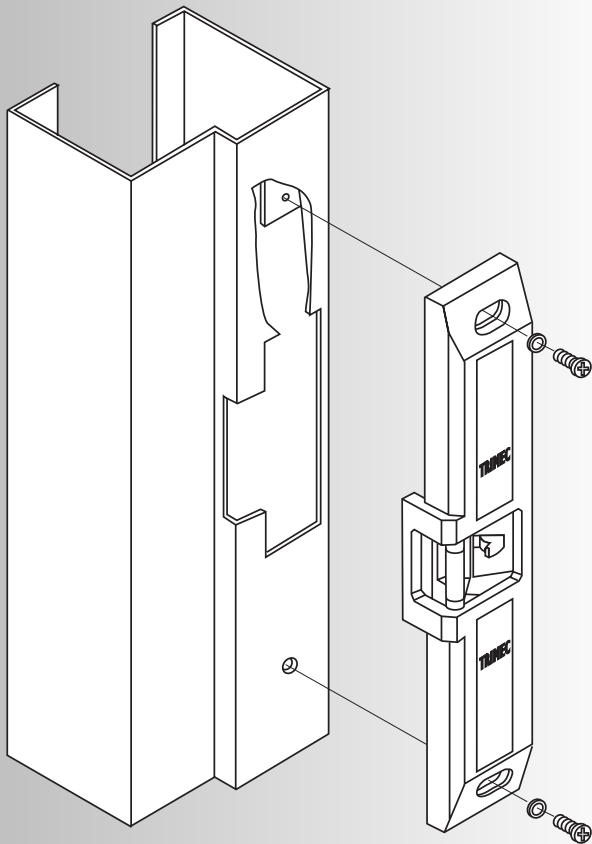
UNIQUE TO TRIMEC & SO SIMPLE TO DO!

Changing the sequence of the pins changes the function of the strike



Power to Open/Fail Secure

Power to Lock/Fail Open



Ordering Information

DESCRIPTION	FUNCTION	CODE	FUNCTION	CODE
Monitored ES2600				
12v DC	Fail Open - Power to Lock	TS2601	Fail Secure - Power to Open	TS2602
24v DC	Fail Open - Power to Lock	TS2603	Fail Secure - Power to Open	TS2604
Unmonitored ES260				
12v DC	Fail Open - Power to Lock	TS261	Fail Secure - Power to Open	TS262
24v DC	Fail Open - Power to Lock	TS263	Fail Secure - Power to Open	TS264
Solenoid Kit	Replacement 12v DC	CK200-12	Replacement 24v DC	CK200-24
Pin Kit	Replacement	ES2P		

