

# MONITORED ELECTRIC STRIKE

## ES2000 & ES2400

Standard features include

### High Security

Stainless steel one part body and striker

### Holding Force

1,350kg (3,000lb) - factory tested

### Dual Monitoring as Standard

Solenoid and latch bolt

3 amp change over contacts

### Compact Shallow Body

27mm overall depth

### Fixing Tab Options

Extended tabs for timber - ES2400

Single fixing for metal - ES2000

### Low Current Consumption

175mA - 12v DC continuous ( $\pm 15\%$ )

88mA - 24v DC continuous ( $\pm 15\%$ )

### Patented Locking System

Shear line technology - incorporating 3 case hardened locking pins

### Fire Safety

4 hour fire rating

### Easy Installation

Stick on / peel off template

### Options

Unmonitored version - ES240/ES200

Lipless version - ES2000/200 only

Extension lips - 25mm and 50mm

Rebate plates - Standard 13mm

### Spares

Solenoid kits - 12v DC and 24v DC

Replacement Pin kit

### Approvals

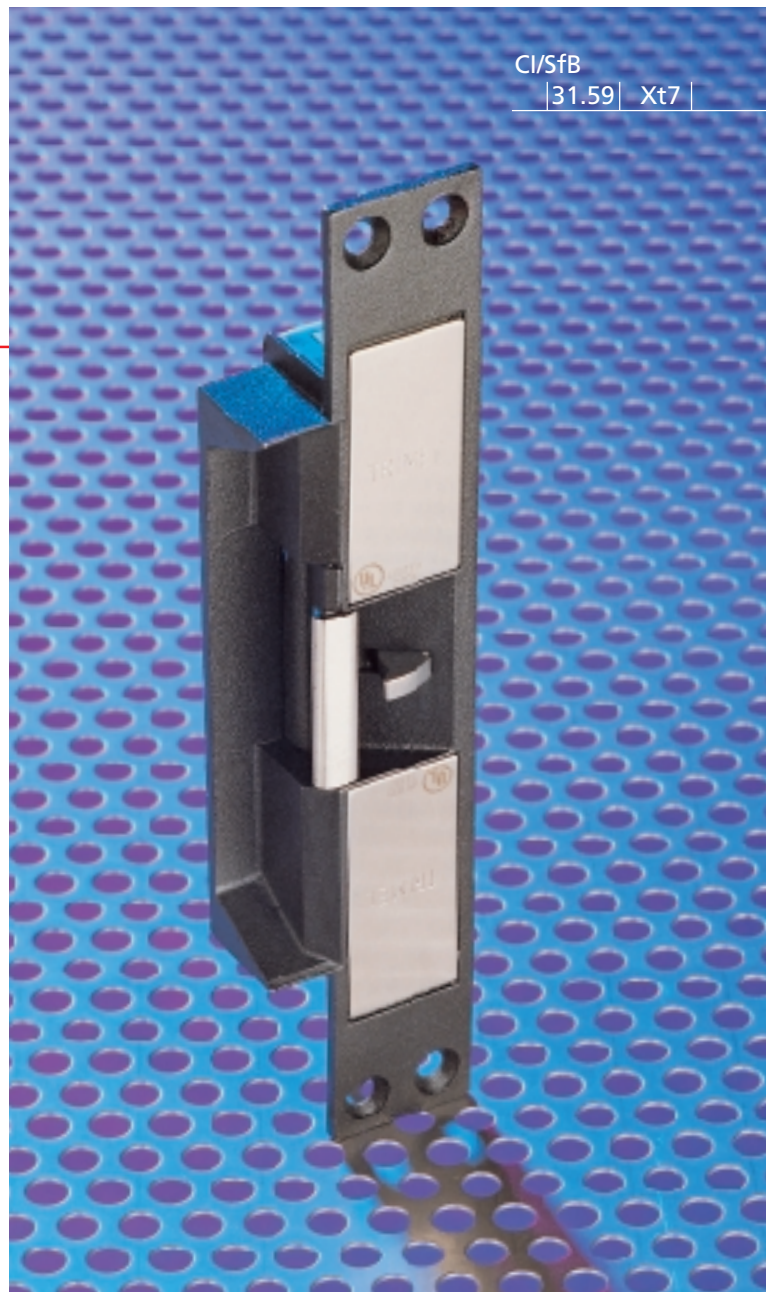
UL1034 (highest level) Tested to 1 million cycles

CE approval BS EN 50081-1 and BS EN 50082-1

### 5 Year Tricare Guarantee

CI/SfB

31.59 Xt7



The TRIMEC ES2400 series High Security monitored Strikes are designed for timber applications using extended tabs with twin fixings.

The TRIMEC ES2000 series has a similar construction and is suitable for metal applications. A lipless version of this type is also available for use with gap guards.



Power to Open/Fail Secure



Power to Lock/Fail Open

**UNIQUE TO  
TRIMEC**  
AND SO SIMPLE TO DO!

Changing the sequence of the pins changes the function of the strike

# ES2400/240/2000/200 - Specifications

Dimensions are shown in millimetres

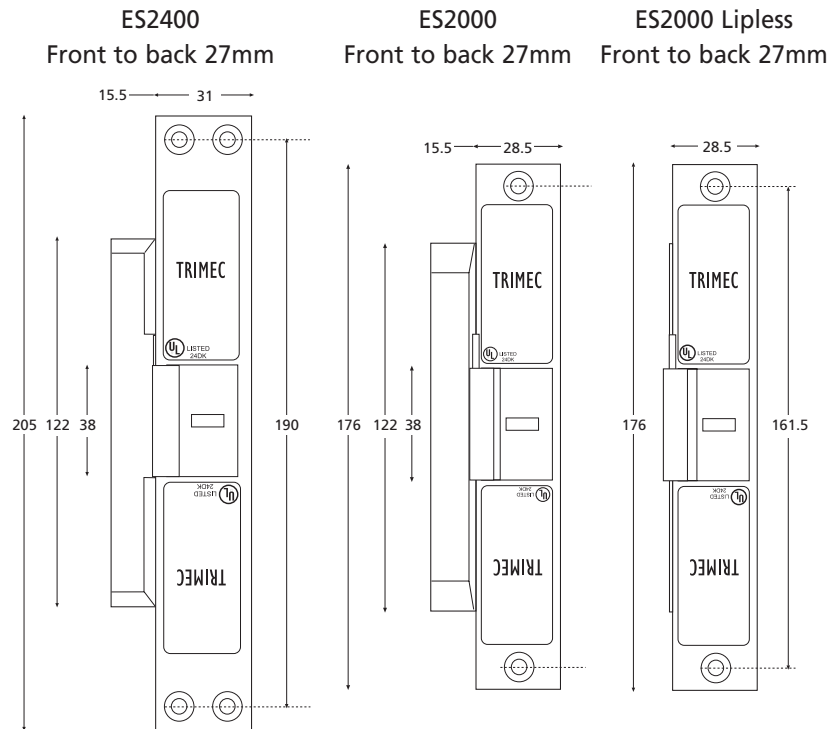
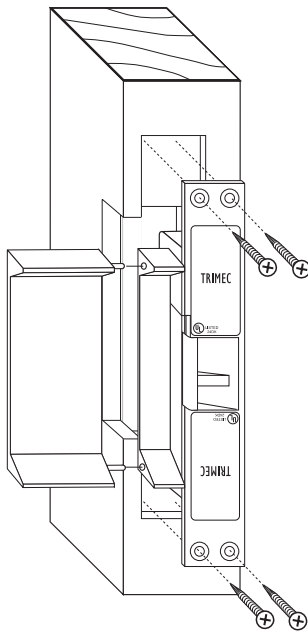
Illustrated ES2400 timber door preparation

25mm & 50mm Extension Lips are available as extras

Rebate plate dimensions 225L x 31W x 15D

ES2000 - Mounting kit supplied

Note For detail of installation see instructions/ template



## Lock Compatibility

Accepts 15mm latch bolt when fitted with 3mm door gap

**Adams-Rite** - 4710, 4720, 4750

**Legge** - 8767, 8157N, E900

**ASSA** - 3059, 3061, 3062, 8516, 8517, 8518, 8519, 8760, 8761, 8762, 8764

**Union** - 2332, 2341, 2349, 2370, 2379

**Chubb** - 3R35

**Viro** - 8516, 8517, 8518, 8519

**IEC** - 4001, 4002, 4003, 4004

**Yale** - 3600, 3610, 4103, 6025, 6070

## Ordering Information

DESCRIPTION	FUNCTION	CODE	FUNCTION	CODE
<b>Monitored ES2400</b>				
12v DC	Fail Open - Power to Lock	<b>TS2401</b>	Fail Secure - Power to Open	<b>TS2402</b>
24v DC	Fail Open - Power to Lock	<b>TS2403</b>	Fail Secure - Power to Open	<b>TS2404</b>
<b>Unmonitored ES240</b>				
12v DC	Fail Open - Power to Lock	<b>TS241</b>	Fail Secure - Power to Open	<b>TS242</b>
24v DC	Fail Open - Power to Lock	<b>TS243</b>	Fail Secure - Power to Open	<b>TS244</b>
Rebate Plate	Standard 13mm silver anodised	<b>TSS2413</b>		
<b>Monitored ES2000</b>				
12v DC	Fail Open - Power to Lock	<b>TS2001</b>	Fail Secure - Power to Open	<b>TS2002</b>
24v DC	Fail Open - Power to Lock	<b>TS2003</b>	Fail Secure - Power to Open	<b>TS2004</b>
<b>Unmonitored ES200</b>				
12v DC	Fail Open - Power to Lock	<b>TS201</b>	Fail Secure - Power to Open	<b>TS202</b>
24v DC	Fail Open - Power to Lock	<b>TS203</b>	Fail Secure - Power to Open	<b>TS204</b>
Rebate Plate	Standard 13mm silver anodised	<b>TSS2013</b>		
<b>Extension Lip*</b>	25mm	<b>EX2025</b>	50mm	<b>EX2050</b>
<b>Solenoid Kit</b>	Replacement 12v DC	<b>CK200-12</b>	Replacement 24v DC	<b>CK200-24</b>
<b>Pin Kit</b>	Replacement	<b>ES2P</b>		

\*Pre-drilled to take Extension Lip add 'X' to code eg TS2401X. No retrospective drilling for extension lips.

For Lipless option of ES2000/200 add '-0' to code eg TS2001-0.



**INTERNATIONAL ENGINEERING COMPANY LIMITED**

Harwell Road, Nuffield Estate **T** 01202 676262

**F** 01202 680101

Poole, Dorset BH17 0BD **E** [iec.uk@pobox.com](mailto:iec.uk@pobox.com)

**W** [www.iecltd.co.uk](http://www.iecltd.co.uk)