

Stainless Steel Striker

1,350kg (3,000lb) - factory tested

Patented Locking System

Shear line technology - incorporating 3 case hardened locking pins

Low Current Consumption243mA - 12v DC continuous ($\pm 15\%$)187mA - 24v DC continuous ($\pm 15\%$)**Compact Cast Aluminium Body**

Enclosed in one-part case

Easy Installation

Suitable for steel or timber door frames

Finish

Black polyester powder paint

Options

Weather resistant - IP56 protection

Spares

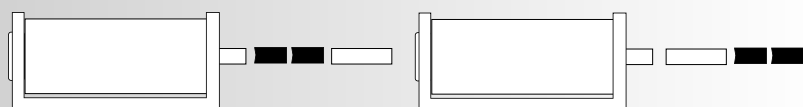
Replacement pin and spring kit

ApprovalsCE - BS EN 50081-1 and BS EN 50082-1
BS 5872

The TRIMEC ES150 series Security Rim Strikes are designed for use with the majority of popular rim latches used on timber door applications.

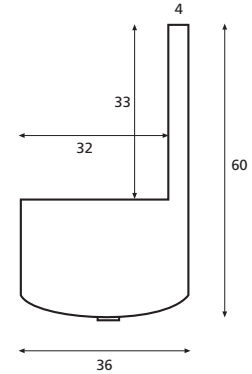
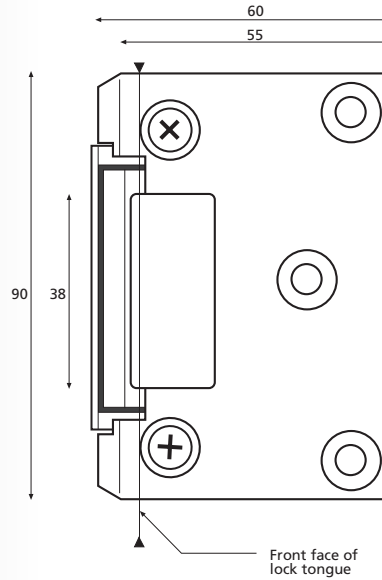
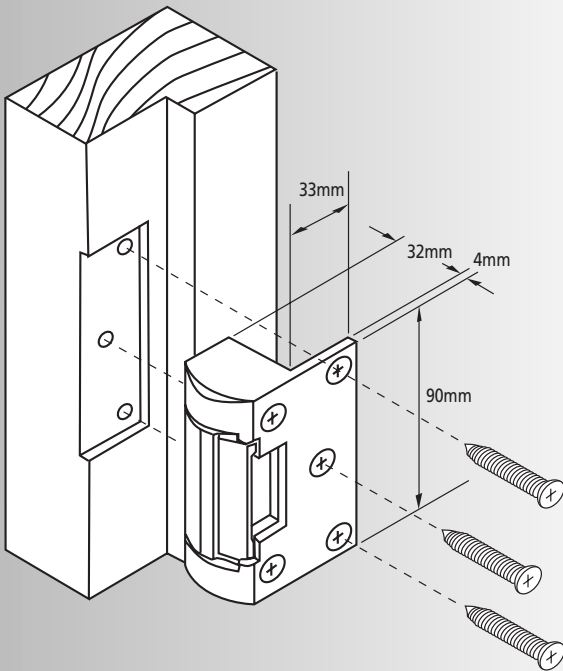
UNIQUE TO TRIMEC & SO SIMPLE TO DO!

Changing the sequence of the pins changes the function of the strike



Power to Open/Fail Secure

Power to Lock/Fail Open



Lock Compatibility Accepts 12mm latch bolt when fitted with 3mm door gap

| COMPANY | MODEL | COMPANY | MODEL |
|---------|------------------------|---------|---|
| Chubb | Narrow style 4L73 | Union | Narrow style 1027, 1047, 1097 |
| | Standard style 4L74 | | Standard style 1022, 1026, 1028, 1048, 1098 |
| | Traditional style 4L75 | | Narrow style 84, 706, No.2 |
| Legge | 66, 707, 727 | Yale | Standard style 77, 88, 90, 91, No.1 |

Ordering Information

| DESCRIPTION | FUNCTION | CODE | FUNCTION | CODE |
|-------------|---------------------------|-------|-----------------------------|-------|
| 12v DC | Fail Open - Power to Lock | TS151 | Fail Secure - Power to Open | TS152 |
| 24v DC | Fail Open - Power to Lock | TS153 | Fail Secure - Power to Open | TS154 |

For weather resistant versions add 'WR' to code eg TS151WR.

Spares

| | | |
|--|-------------|--------|
| Pin and Spring Kit | Replacement | ES1P |
| Pin and Spring Kit for Weather Resistant | Replacement | ES1PWR |



International Engineering Company Ltd
Harwell Rd Nuffield Estate Poole BH17 0BD Great Britain

T 01202 676262
F 01202 680101
E info@iecltd.co.uk
W www.iecltd.co.uk

