

Stainless Steel Face Plate and Striker

1,350kg (3,000lb) - factory tested

Compact Cast Aluminium Body

35mm overall depth

Deep Jaw

Accepts 19.05mm latch bolt

Low Current Consumption243mA - 12v DC continuous ($\pm 15\%$)187mA - 24v DC continuous ($\pm 15\%$)**Patented Locking System**

Shear line technology - incorporating 3 case hardened locking pins

Fire Safety

20 minute fire rating

Easy Installation

Stick on/Peel off template

Options

Face plates in aluminium

ANSI short, ANSI long and Sashlock

Extension lips - 25mm and 50mm (pre-drilled strike body)

Rebate plates - standard 13mm and Chubb 3R35

Lipless - special order

Weather resistant - IP56 protection

Spares

Replacement pin and spring kit

ApprovalsUL1034 (highest level) Tested to 10^6 cycles

CE - BS EN 50081-1 and BS EN 50082-1

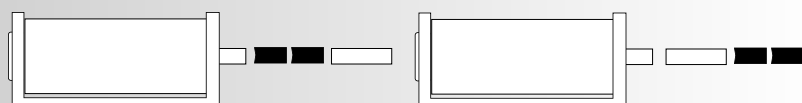
BS 5872



The TRIMEC ES110 series is an ANSI-style Security Strike complete with stainless steel short or long face plate for use in metal or timber applications.

UNIQUE TO TRIMEC & SO SIMPLE TO DO!

Changing the sequence of the pins changes the function of the strike



Power to Open/Fail Secure

Power to Lock/Fail Open

Illustrated ES110 ANSI short metal door preparation

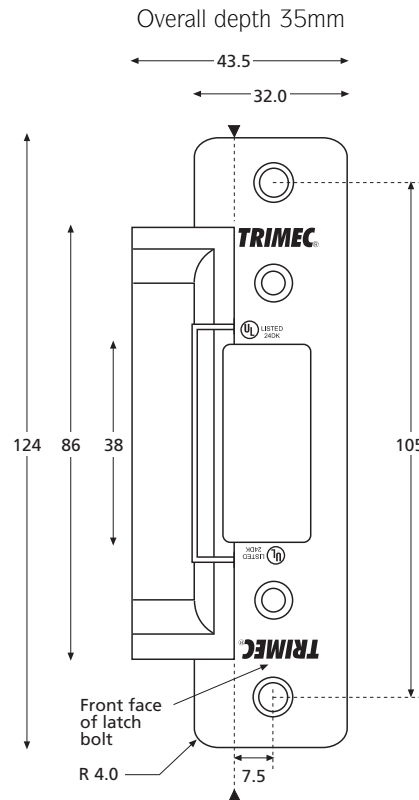
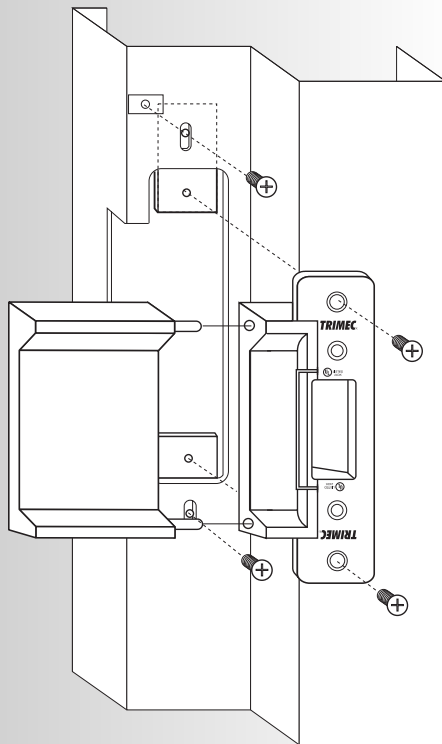
ANSI short faceplate
124 x 32

ANSI long faceplate
202 x 36.5

25mm & 50mm
Extension Lips are
available as extras

Mounting kit supplied

Note For detail of
installation see
instructions/ template



Rebate plate dimensions 200L x 32W x 16D

Lock Compatibility Accepts 19.05mm latch bolt when fitted with 3mm door gap

COMPANY	MODEL	COMPANY	MODEL
Adams-Rite	4710, 4720, 4750	Legge	8767, 8157N, E900
ASSA	3059, 3061, 3062, 8516, 8517, 8518, 8519, 8760, 8761, 8762, 8764	Union	2332, 2341, 2349, 2370, 2379
Chubb	3R35	Viro	8516, 8517, 8518, 8519
IEC	4001, 4002, 4003, 4004, SEU511, SEU512, SEU513, SEU514.	Yale	3600, 3610, 4103, 6025, 6070

Ordering Information

DESCRIPTION	FUNCTION	CODE	FUNCTION	CODE
ANSI Short*				
12v DC	Fail Open - Power to Lock	TS111AS	Fail Secure - Power to Open	TS112AS
24v DC	Fail Open - Power to Lock	TS113AS	Fail Secure - Power to Open	TS114AS
ANSI Long*				
12v DC	Fail Open - Power to Lock	TS111BS	Fail Secure - Power to Open	TS112BS
24v DC	Fail Open - Power to Lock	TS113BS	Fail Secure - Power to Open	TS114BS
Extension Lip	25mm	EX1125	50mm	EX1150
Rebate Plate	Standard 13mm silver anodised	TSS1113	Chubb 3R35 - left hand	TSS1113L
			Chubb 3R35 - right hand	TSS1113R
Sashlock Face Plate	UK version - right-handed	TSS110SLUKRH	Euro Din version - right-hand	TSS110SLEURH
	UK version - left-handed	TSS110SLUKLH	Euro Din version - left-hand	TSS110SLEULH
Pin and Spring Kit	Replacement	ES11P	Weather resistant replacement	ES11PWR

*Standard face plate is stainless steel. Anodised aluminium face plate is available by deleting 'S' from code eg TS111A.

Lipless version - add 'O' to code eg TS111A-O.

Weather resistant version - add 'WR' to code eg TS111AWR.

Note: ES100 previous model (overall depth 30mm) available to special order.



International Engineering Company Ltd
Harwell Rd Nuffield Estate Poole BH17 0BD Great Britain

© October 2002 IEC. All rights reserved. All dimensions are nominal and subject to tolerances

T 01202 676262
F 01202 680101
E info@iecltd.co.uk
W www.iecltd.co.uk



First Choice Solutions