

# Tokina

## VARIFOCAL LENS

**TOKINA Co.,Ltd.**

Security Products Division

120-4 NOZUTA-MACHI, MACHIDA-SHI,

TOKYO, 195-0063 JAPAN

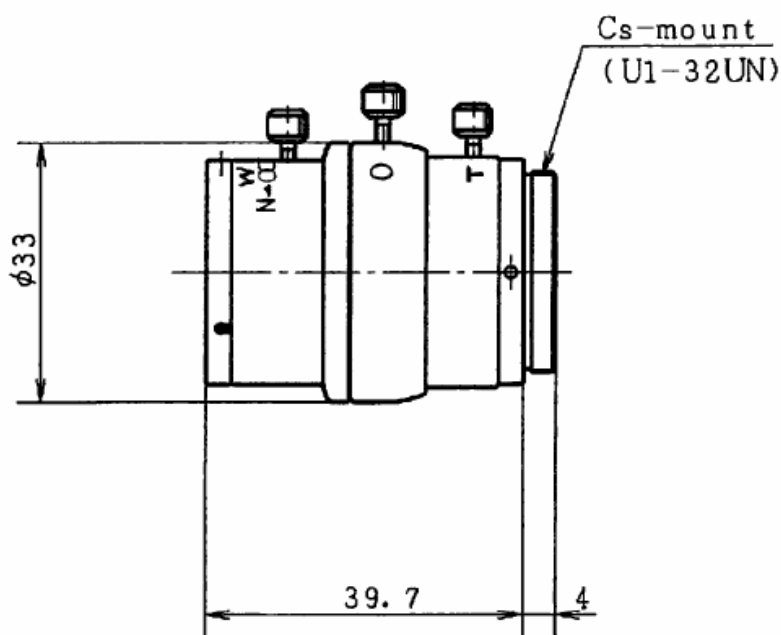
TEL: +81-42-734-8912 FAX: +81-42-735-1463

E-mail: cctv@tokina.co.jp

### TVR3314 f = 3.3 - 8mm F 1.4 MANUAL IRIS

#### SPECIFICATION

MODEL NUMBER		TVR3314	
IMAGE FORMAT		1/3inch	
FOCAL LENGTH		3.3-8mm	
MAXIMUM APERTURE		F1:1.4	
APERTURE RATIO		F1:1.4-Close	
LENS CONSTRUCTION		9GROUP-10ELEMENT	
BACK FOCAL LENGTH		9.34mm	
M.O.D.		0.3m	
ANGLE OF VIEW	DIAGONAL	W99.02°	T44.20°
	HORIZONTAL	W76.98°	T35.32°
	VERTICAL	W59.02°	T26.56°
FILTER SIZE		M37.5mm P=0.75	
DIMENSIONS		H58.5 × $\phi$ 39.5mm	
WEIGHT		95g	
OPERATING TEMPERATURE RANGE		-10°C ~ 45°C	
OPERATING HUMIDITY RANGE		30% ~ 70%	
MOUNT		CS	



DESIGN AND SPECIFICATIONS ARE SUBJECT TO CHANGE WITHOUT NOTICE

PRINTED IN JAPAN